

Drawings

EJA110E
 Differential Pressure Transmitter
 Wetted Parts Material
 Code: H, M, T, A, D, B, Measurement Span Code F
 or Option Code /HD

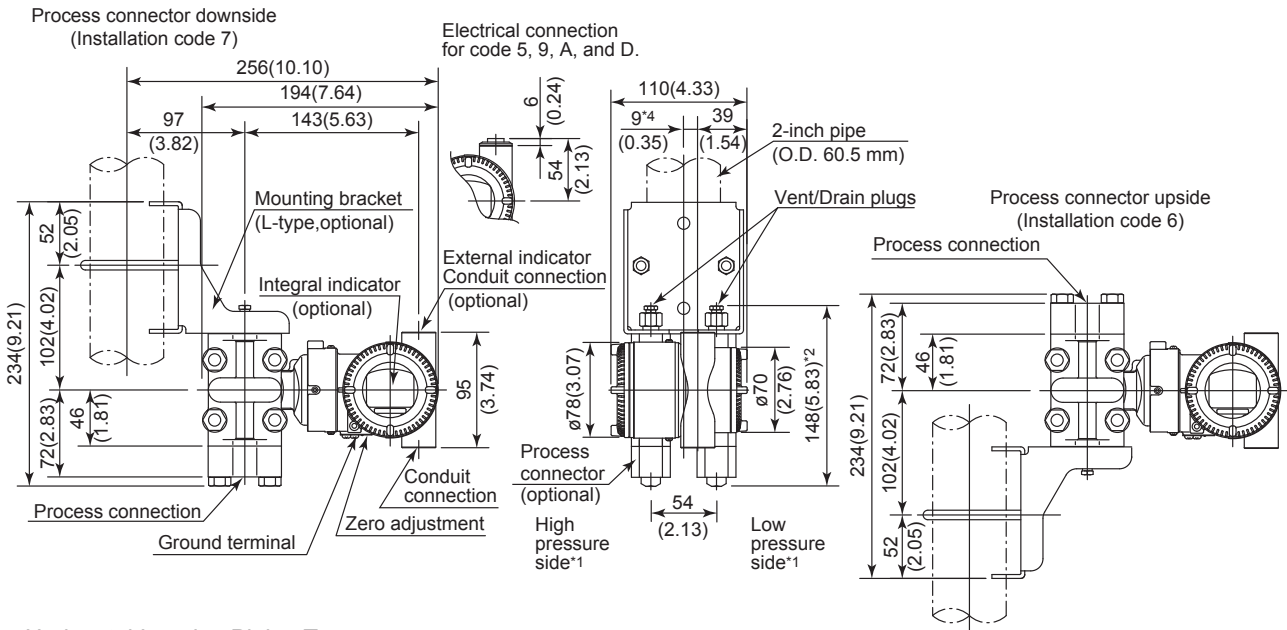


SD 01C31B01-06EN

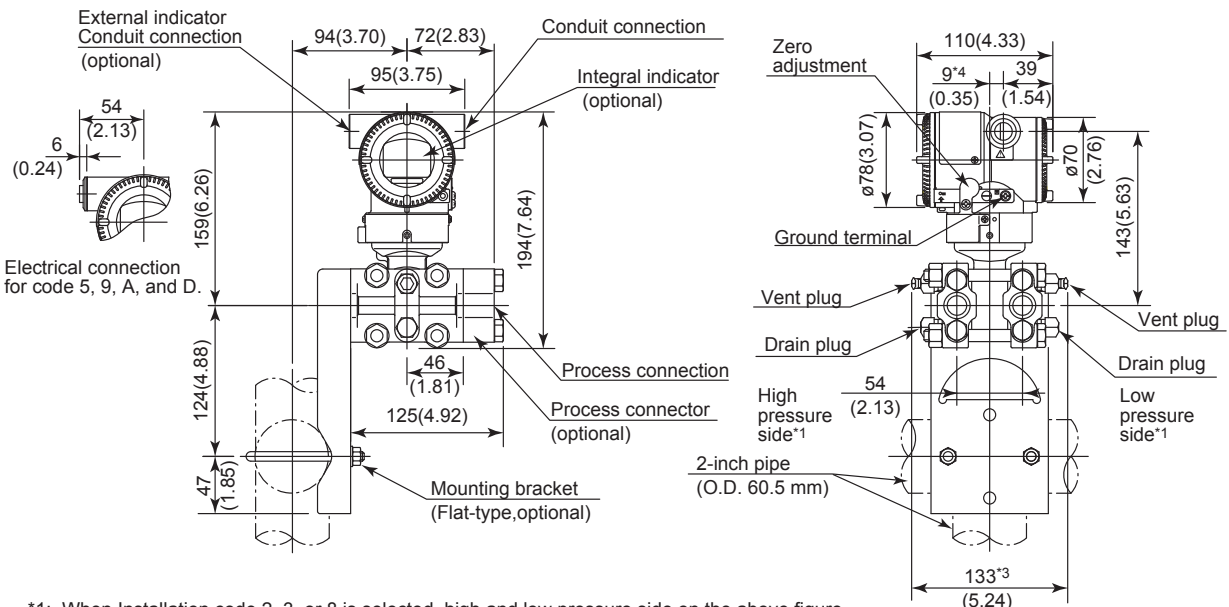
Unit: mm (approx. inch)

Wetted Parts Material Code: H, M, T, A, D, B, Measurement Span Code F or Option Code /HD

• Vertical Impulse Piping Type

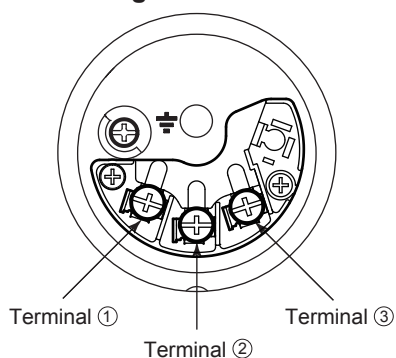


• Horizontal Impulse Piping Type (Installation code 9)



*1: When Installation code 2, 3, or 8 is selected, high and low pressure side on the above figure are reversed. (i.e. High pressure side is on the right side.)
 *2: When Option code K1, K2, K5, or K6 is selected, add 15 mm(0.59 inch) to the value in the figure.
 *3: When Option code K1, K2, K5, or K6 is selected, add 30 mm(1.18 inch) to the value in the figure.
 *4: 15 mm(0.59 inch) for right side high pressure.

- **Terminal Configuration**



- **Terminal Wiring for 4 to 20 mA output, FOUNDATION Fieldbus and PROFIBUS PA communication types**

SUPPLY	+	①] Power supply and output terminals
	-	②	
CHECK	+	③] External indicator (ammeter) terminals*1*2
	-	②	
			⏏ Ground terminal

*1: When using an external indicator or check meter, the internal resistance must be 10 Ω or less.

*2: Not available for FOUNDATION Fieldbus and PROFIBUS PA communication types.

- **Terminal Wiring for 1 to 5 V output**

SUPPLY	+	①] Power supply terminals
	-	②	
VOUT	+	③] 1 to 5 V DC with HART communication terminals
	-	②	
			⏏ Ground terminal

Three or four wire connection. For four wire connection, both supply and signal lines use SUPPLY - terminal.