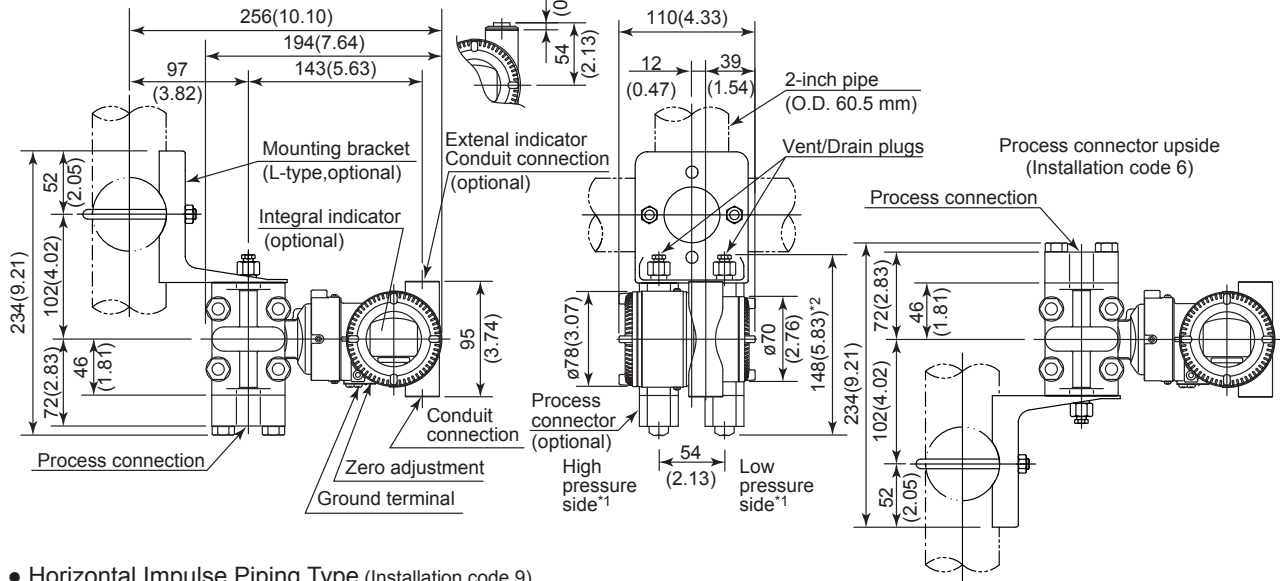


Unit: mm (approx. inch)

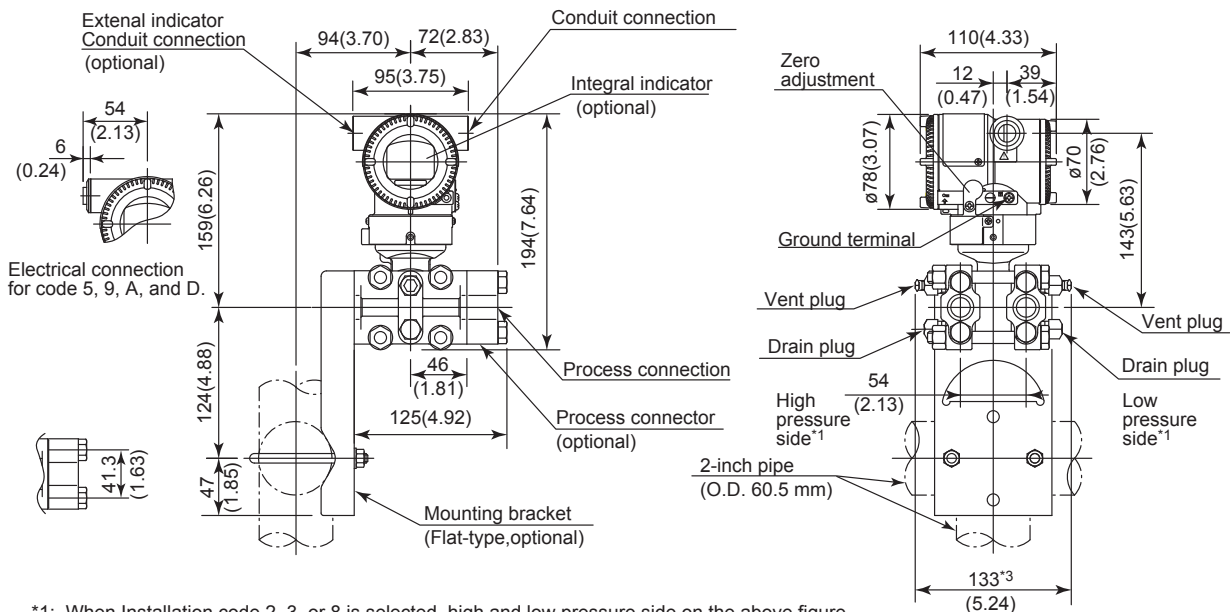
● Vertical Impulse Piping Type

Process connector downside  
(Installation code 7)

Electrical connection  
for code 5, 9, A, and D.



● Horizontal Impulse Piping Type (Installation code 9)



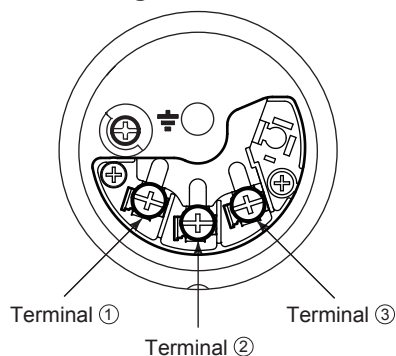
\*1: When Installation code 2, 3, or 8 is selected, high and low pressure side on the above figure are reversed. (i.e. High pressure side is on the right side.)

\*2: When Option code K1, K2, K5, or K6 is selected, add 15 mm(0.59 inch) to the value in the figure.

\*3: When Option code K1, K2, K5, or K6 is selected, add 30 mm(1.18 inch) to the value in the figure.

\*4: When electrical connection code 7 or C is selected, a blind plug is protruded up to 8 mm from the conduit connection.

- Terminal Configuration



- Terminal Wiring for 4 to 20 mA output, FOUNDATION Fieldbus and PROFIBUS PA communication types

SUPPLY	+	①	] Power supply and output terminals
	-	②	
CHECK	+	③	] External indicator (ammeter) terminals <sup>*1*2</sup>
	-	②	
			⏏ Ground terminal

\*1: When using an external indicator or check meter, the internal resistance must be 10  $\Omega$  or less.

\*2: Not available for FOUNDATION Fieldbus and PROFIBUS PA communication types.

- Terminal Wiring for 1 to 5 V output

SUPPLY	+	①	] Power supply terminals
	-	②	
VOUT	+	③	] 1 to 5 V DC with HART communication terminals
	-	②	
			⏏ Ground terminal

Three or four wire connection. For four wire connection, both supply and signal lines use SUPPLY - terminal.