

Drawings

EJA110E, EJA120E, EJA130E with Option Code /N2 and /N3

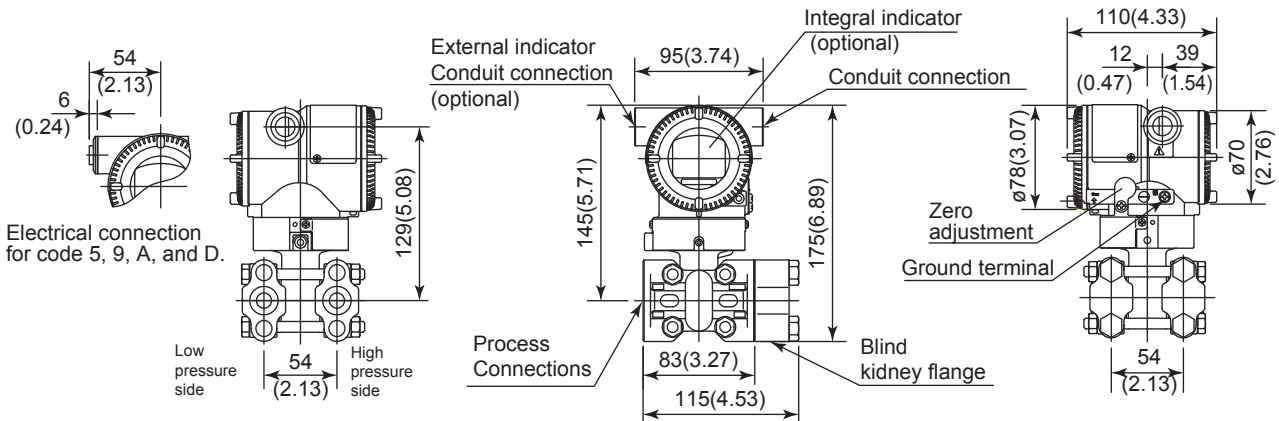


SD 01C31B10-02EN

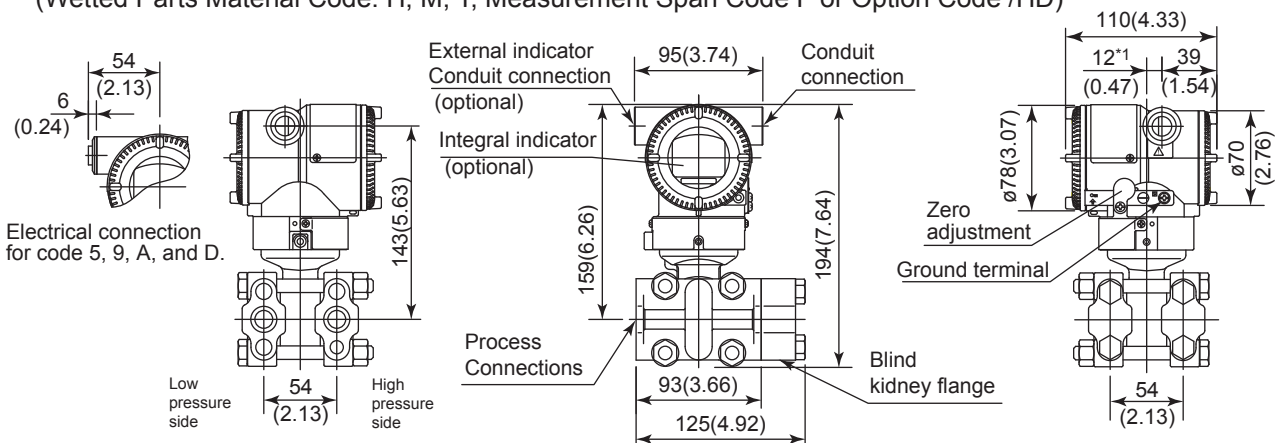
[Style: S1, S2]

Unit: mm (approx. inch)

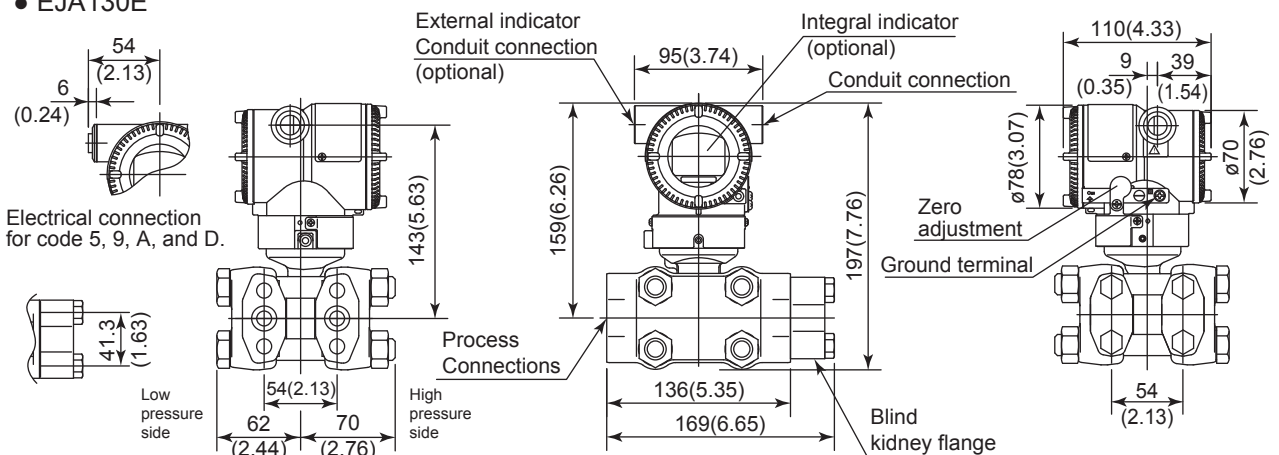
- EJA110E (Wetted Parts Material Code S, except for Measurement Span Code F and Option Code /HD)



- EJA120E and EJA110E (Wetted Parts Material Code: H, M, T, Measurement Span Code F or Option Code /HD)



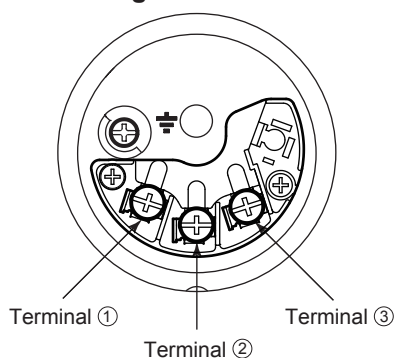
- EJA130E



*1: 9(0.35) for EJA110E.

*2: When electrical connection code 7 or C is selected, a blind plug is protruded up to 8 mm from the conduit connection.

- **Terminal Configuration**



- **Terminal Wiring for 4 to 20 mA output, FOUNDATION Fieldbus and PROFIBUS PA communication types**

SUPPLY	+	①] Power supply and output terminals
	-	②	
CHECK	+	③] External indicator (ammeter) terminals*1,2
	-	②	
			⏏ Ground terminal

*1: When using an external indicator or check meter, the internal resistance must be 10 Ω or less.

*2: Not available for FOUNDATION Fieldbus and PROFIBUS PA communication types.

- **Terminal Wiring for 1 to 5 V output**

SUPPLY	+	①] Power supply terminals
	-	②	
VOUT	+	③] 1 to 5 V DC with HART communication terminals
	-	②	
			⏏ Ground terminal

Three or four wire connection. For four wire connection, both supply and signal lines use SUPPLY - terminal.