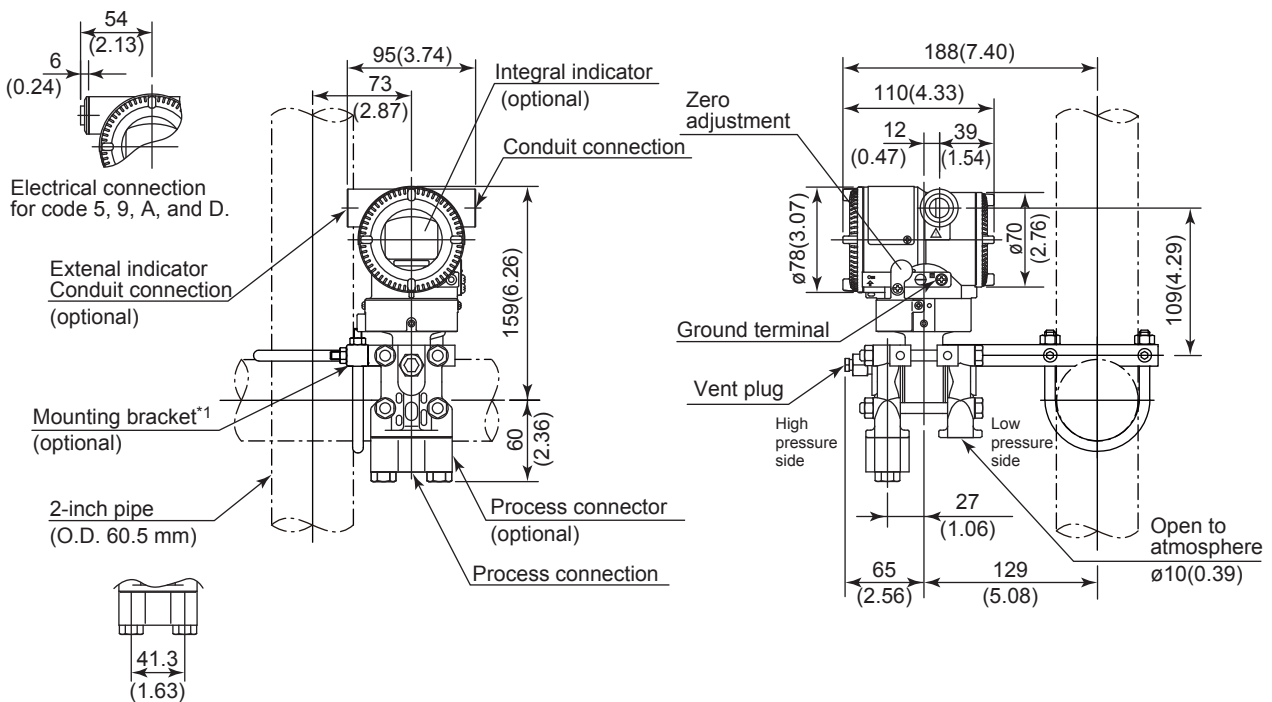


Unit: mm (approx. inch)

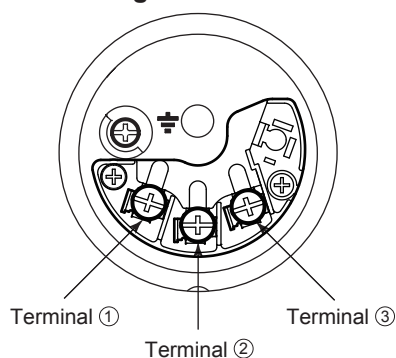
● Bottom Process Connection (Installation code B)



\*1: A transmitter with SST housing is not applicable for mounting to horizontal 2-inch pipe.

\*2: When electrical connection code 7 or C is selected, a blind plug is protruded up to 8 mm from the conduit connection.

- **Terminal Configuration**



- **Terminal Wiring for 4 to 20 mA output, FOUNDATION Fieldbus and PROFIBUS PA communication types**

SUPPLY	+	①	] Power supply and output terminals
	-	②	
CHECK	+	③	] External indicator (ammeter) terminals <sup>*1*2</sup>
	-	②	
			⏏ Ground terminal

\*1: When using an external indicator or check meter, the internal resistance must be 10  $\Omega$  or less.

\*2: Not available for FOUNDATION Fieldbus and PROFIBUS PA communication types.

- **Terminal Wiring for 1 to 5 V output**

SUPPLY	+	①	] Power supply terminals
	-	②	
VOUT	+	③	] 1 to 5 V DC with HART communication terminals
	-	②	
			⏏ Ground terminal

Three or four wire connection. For four wire connection, both supply and signal lines use SUPPLY - terminal.