

Drawings

EJA430E
Gauge Pressure Transmitter
Wetted Parts Material
Code: H, M, T, A, D, B, W

DPharp **EJA**[®]

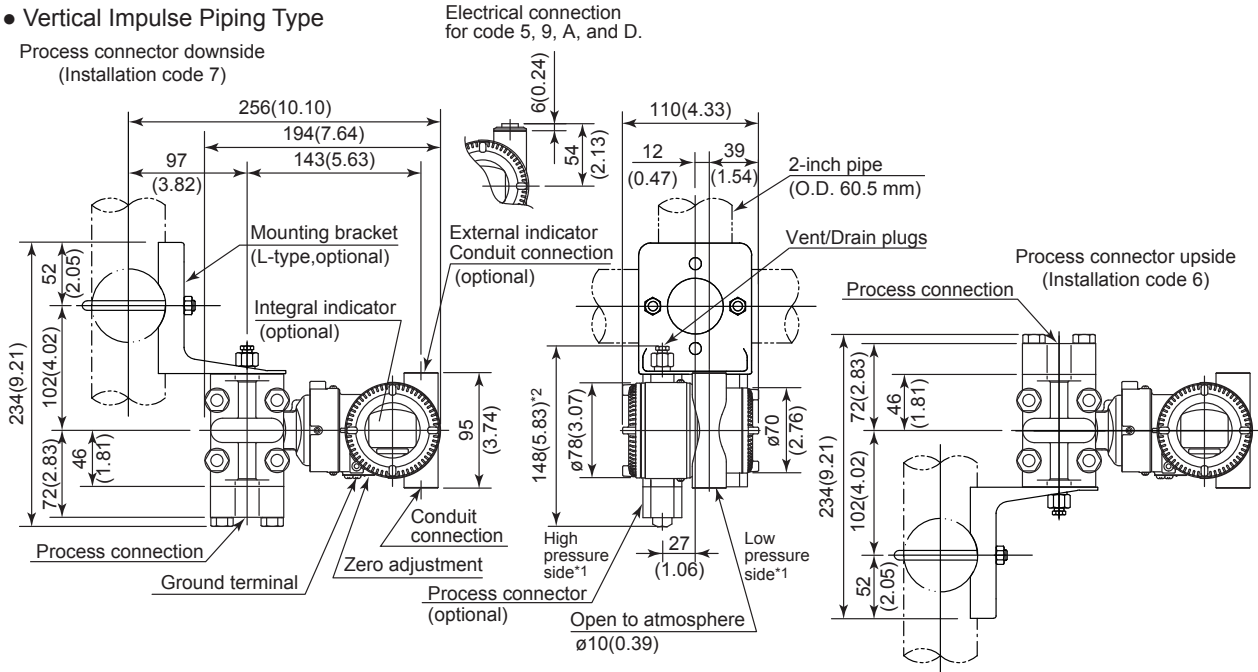
SD 01C31E01-06EN

[Style: S1, S2]

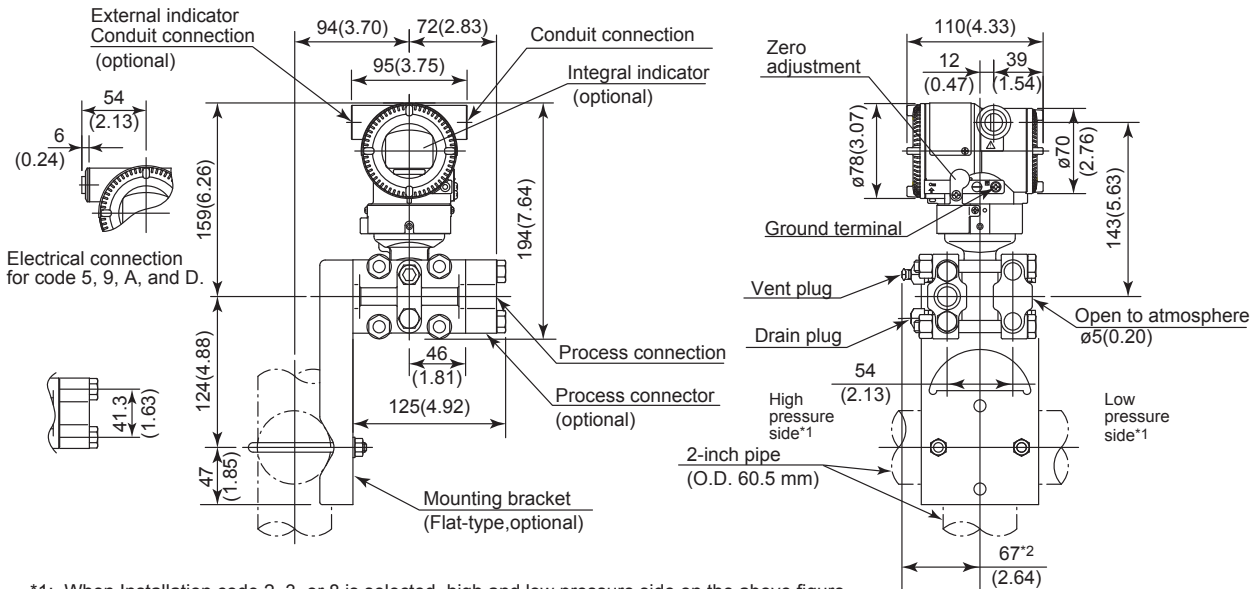
Unit: mm (approx. inch)

• Vertical Impulse Piping Type

Process connector downside
(Installation code 7)



• Horizontal Impulse Piping Type (Installation code 9)

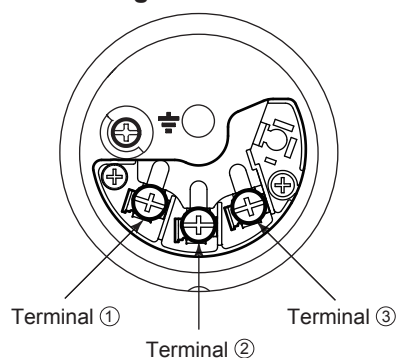


*1: When Installation code 2, 3, or 8 is selected, high and low pressure side on the above figure are reversed. (i.e. High pressure side is on the right side.)

*2: When Option code K1, K2, K5, or K6 is selected, add 15 mm(0.59 inch) to the value in the figure.

*3: When electrical connection code 7 or C is selected, a blind plug is protruded up to 8 mm from the conduit connection.

- **Terminal Configuration**



- **Terminal Wiring for 4 to 20 mA output, FOUNDATION Fieldbus and PROFIBUS PA communication types**

SUPPLY	+	①] Power supply and output terminals
	-	②	
CHECK	+	③] External indicator (ammeter) terminals*1*2
	-	②	
			⏏ Ground terminal

*1: When using an external indicator or check meter, the internal resistance must be 10 Ω or less.

*2: Not available for FOUNDATION Fieldbus and PROFIBUS PA communication types.

- **Terminal Wiring for 1 to 5 V output**

SUPPLY	+	①] Power supply terminals
	-	②	
VOUT	+	③] 1 to 5 V DC with HART communication terminals
	-	②	
			⏏ Ground terminal

Three or four wire connection. For four wire connection, both supply and signal lines use SUPPLY - terminal.