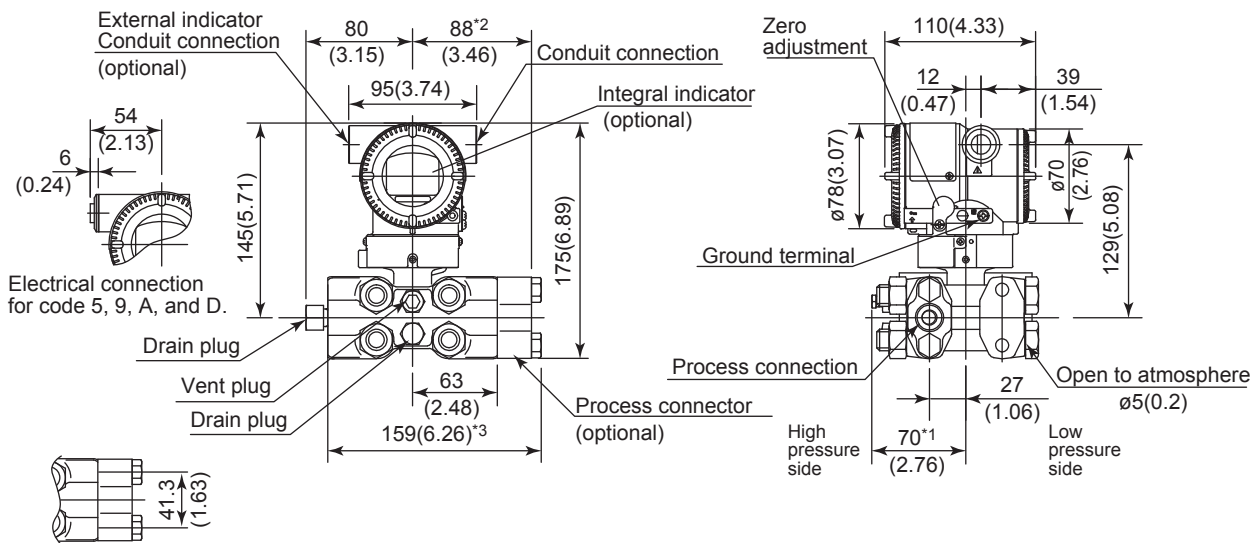


Unit: mm (approx. inch)

• Universal Flange (Installation code U)



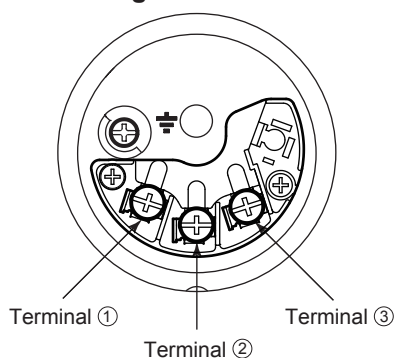
*1: When Option code K1, K2, K5, or K6 is selected, add 15 mm(0.59 inch) to the value.

*2: 87 mm(3.43 inch) for capsule code D.

*3: 157 mm(6.18 inch) for capsule code D.

*4: When electrical connection code 7 or C is selected, a blind plug is protruded up to 8 mm from the conduit connection.

- Terminal Configuration



- Terminal Wiring for 4 to 20 mA output, FOUNDATION Fieldbus and PROFIBUS PA communication types

SUPPLY	+	①] Power supply and output terminals
	-	②	
CHECK	+	③] External indicator (ammeter) terminals*1,2
	-	②	
			⏏ Ground terminal

*1: When using an external indicator or check meter, the internal resistance must be 10 Ω or less.

*2: Not available for FOUNDATION Fieldbus and PROFIBUS PA communication types.

- Terminal Wiring for 1 to 5 V output

SUPPLY	+	①] Power supply terminals
	-	②	
VOUT	+	③] 1 to 5 V DC with HART communication terminals
	-	②	
			⏏ Ground terminal

Three or four wire connection. For four wire connection, both supply and signal lines use SUPPLY - terminal.