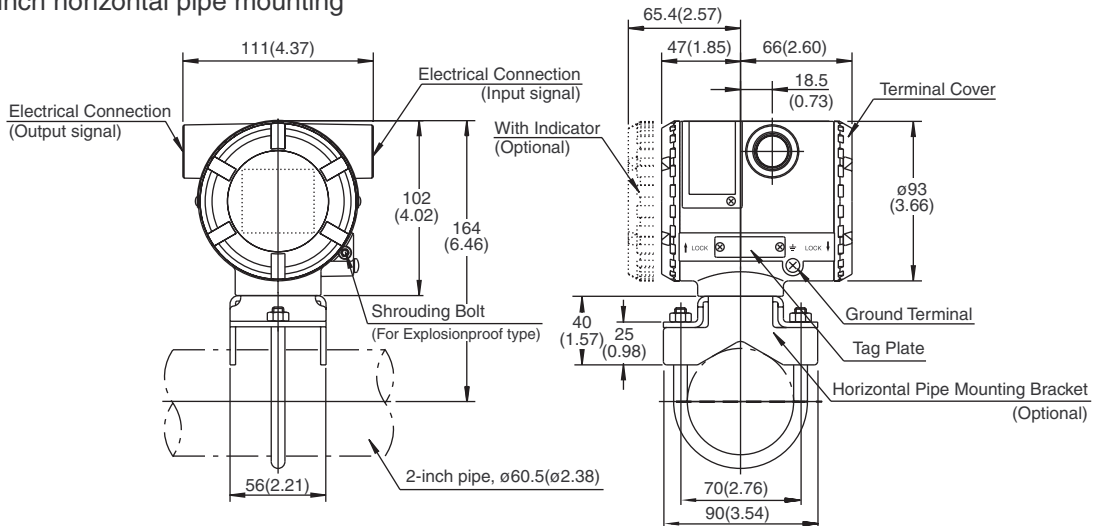
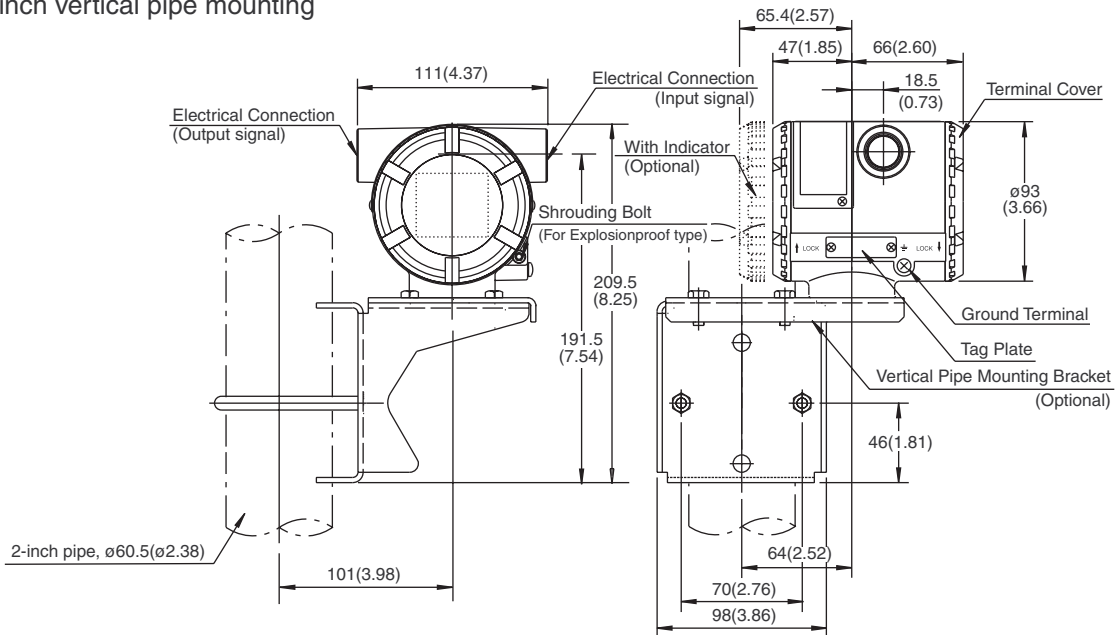


Unit: mm (Approx. inch)

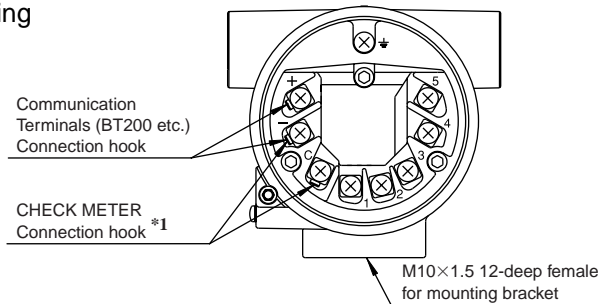
● 2-inch horizontal pipe mounting



● 2-inch vertical pipe mounting



● Terminal Wiring



Terminal Configuration

+	Power supply and output terminal
-	External indicator (ammeter) terminal *1
⊥	Ground terminal

*1 : When using an external indicator or a check meter, the internal resistance must be 10 Ω or less.