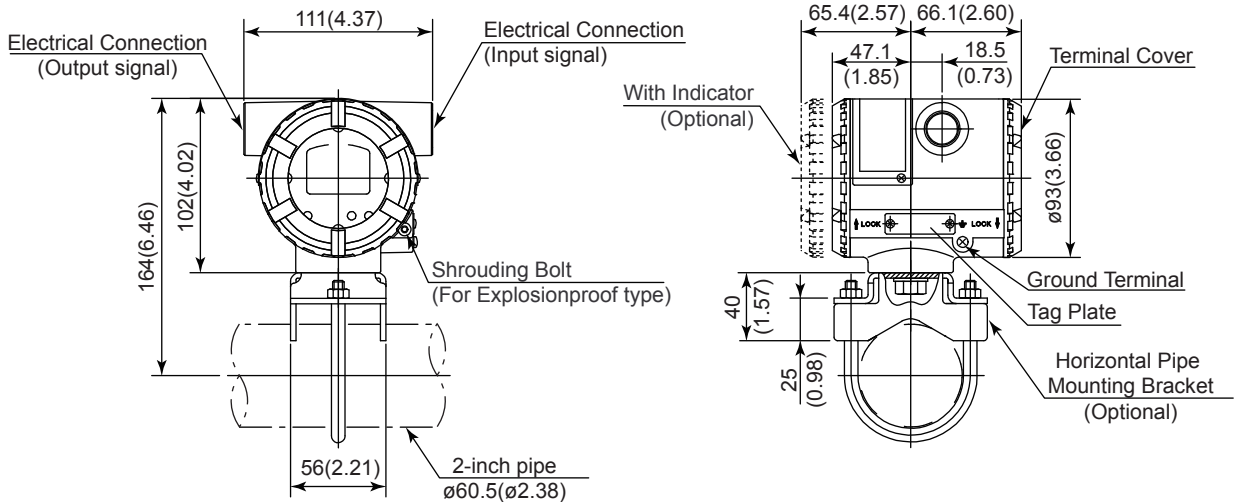


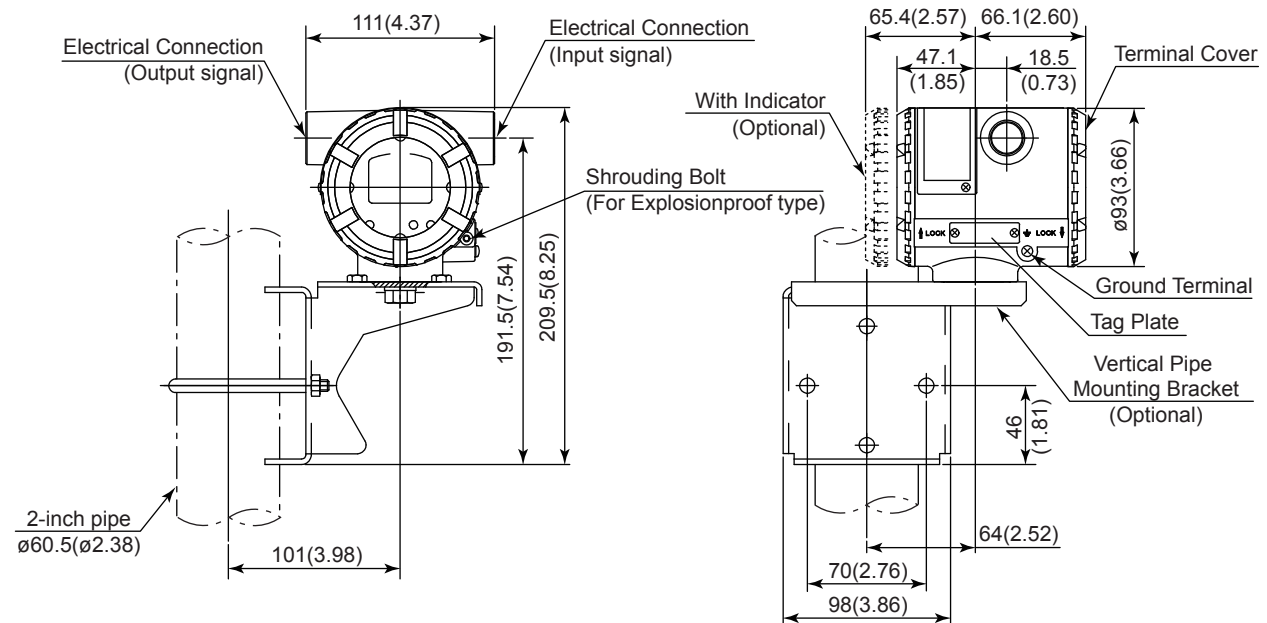
SD 01C50G01-01EN

● 2-inch horizontal pipe mounting

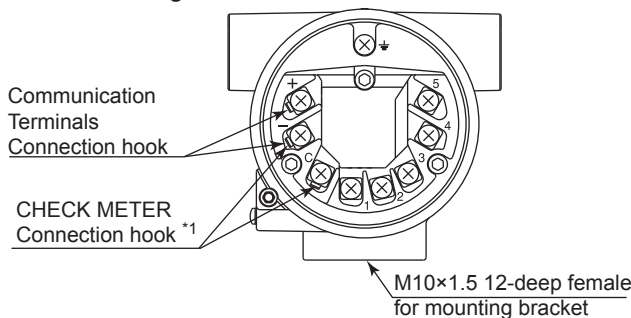
Unit: mm (approx. inch)



● 2-inch vertical pipe mounting



● Terminal Wiring



Terminal Configuration

+	Power supply and output terminal
-	External indicator (ammeter) terminal *1
⏏	Ground terminal

*1 : When using an external indicator or a check meter, the internal resistance must be 10Ω or less. The hook is not available for Fieldbus communication type.