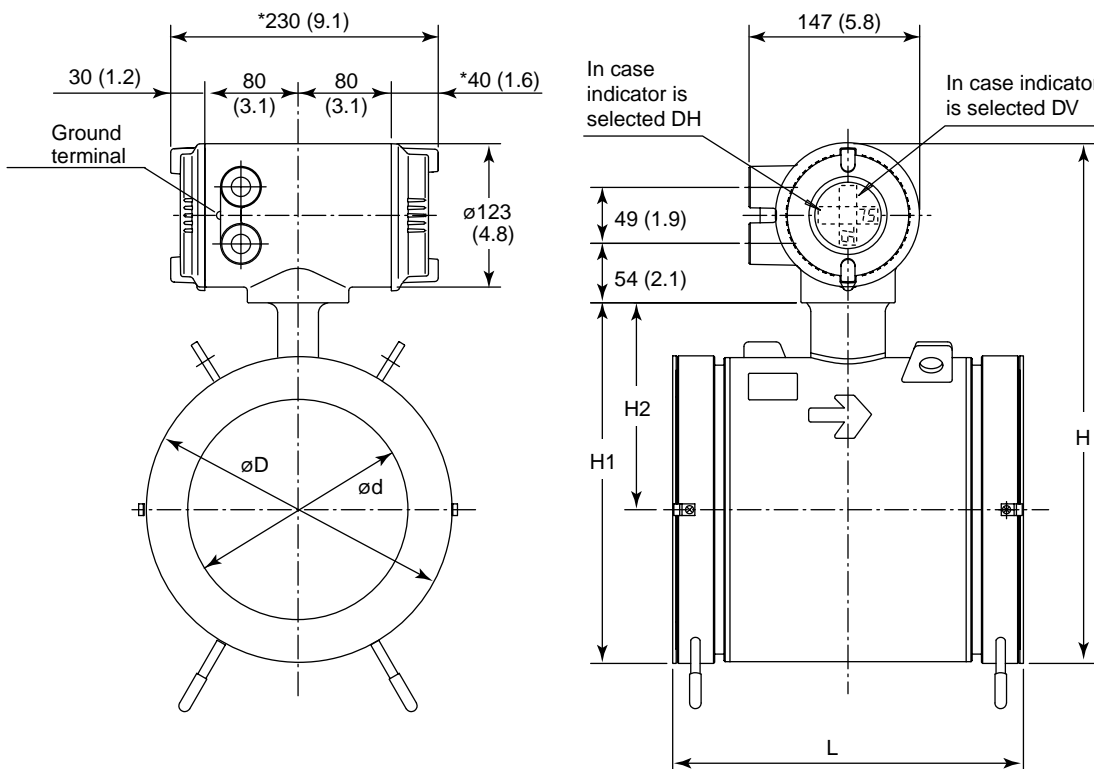


Unit : mm
(approx. inch)



- * The length marked as * is shorter by approx. 10mm(0.4") for non indicator type.
- ** The flow direction is opposite (right to left when facing onto indicator) in case of optional code /CRC.

TERMINAL CONNECTION

Terminal symbols	Description
I ⁺ I ⁻] Current output 4 to 20mA DC
L/+ N/- ⊕	
P ⁺ P ⁻] Power and Protective Grounding
] Pulse or Alarm output

CA^{215S}
CA^{220S}

Type	General (SG)		
Size code	215	220	
Size	150 (6.0)	200 (8.0)	
Lining	C (Ceramic)		
Face-to-face length	L	232 (9.2)	302 (11.9)
Outer diameter	øD	214 (8.4)	264 (10.4)
Inner diameter of Grounding ring	ød	144 (5.7)	192 (7.6)
Height	H	406 (16.0)	456 (18.0)
Height	H1	266 (10.5)	316 (12.4)
Height	H2	159 (6.3)	184 (7.2)
Weight kg (lb)		23.9 (52.6)	35.9 (79.1)

Unless otherwise specified, difference in the dimensions are specified as : General tolerance = ± (Criteria of tolerance class IT18 in JIS B0401) / 2