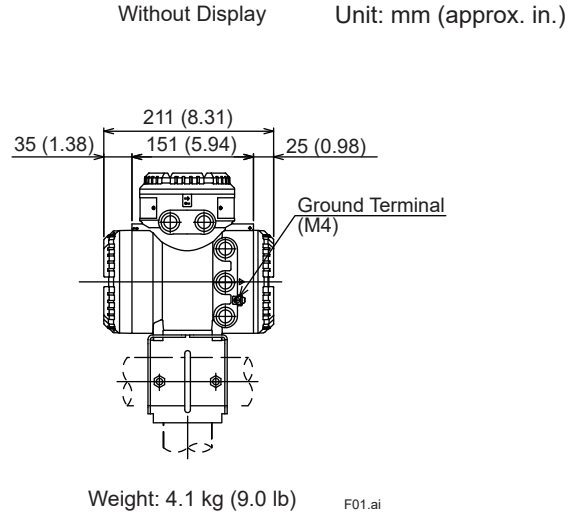
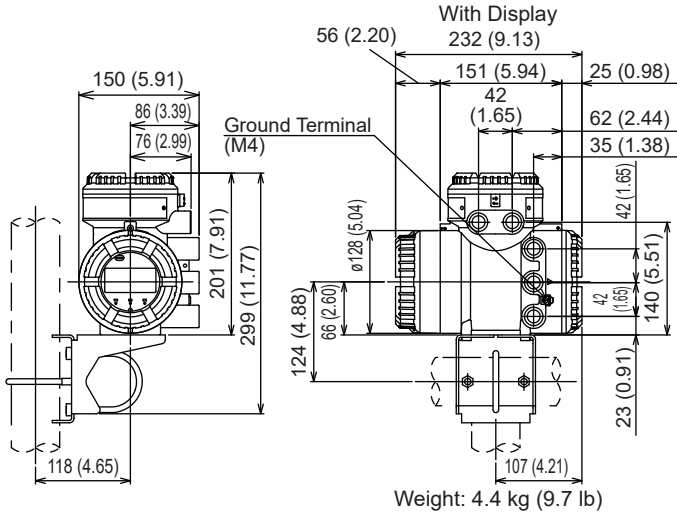


Drawings

ADMAG TI Series
 AXG Magnetic Flowmeter
 AXG4A Remote Transmitter

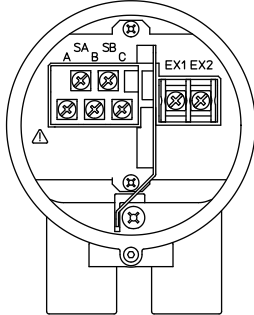


SD 01E22C01-04EN



Terminal Configuration and Wiring

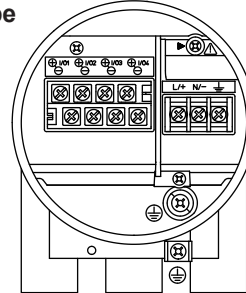
<To be wired to Remote Sensor>



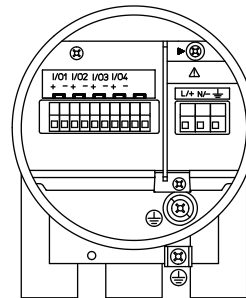
Terminal Symbol	Description
SA SB A B C	Flow Signal Input
EX1 EX2	Excitation Current Output

F02.ai

<To be wired to Power Supply and I/Os>
M4 Screw Type



Clamp Type



Terminal Symbol	Description
▶	Shorting Screw (Need to be fixed for normal operation)
⏏	Functional Grounding
N/- L/+	Power Supply
I/O4 - I/O4 + I/O3 - I/O3 + I/O2 - I/O2 + I/O1 - I/O1 +	Selected Input/Output
⏏	Protective Grounding (Inside and outside of the terminal box)

F03.ai

Unless otherwise specified, difference in the dimensions are specified as : General tolerance = ± (Criteria of tolerance class IT18 in JIS B0401-1) / 2