

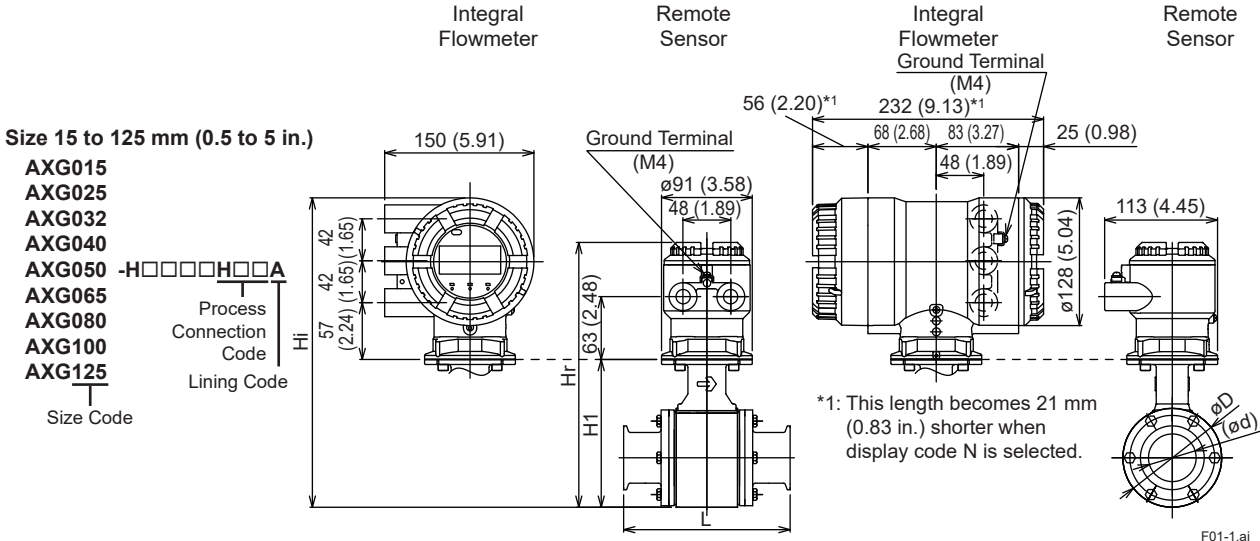
# Drawings

## ADMAG TI Series AXG Magnetic Flowmeter Hygienic Use (Clamp, PFA Lining)



SD 01E22D05-01EN

Unit: mm (approx. in.)



	Direction of Cable Entry			
	Standard (0°)	+90° rotation	+180° rotation	-90° rotation
Integral Flowmeter				
Remote Sensor				

\* The direction of cable entry changes as shown left depending on the designation of the optional code RH with its rotational specification.

Unit: mm (approx. in.)

Model	Process Connection Code	HAB: Tri-Clamp (not applicable for size code 032 and 125) HDB: DIN 32676 Clamp HKB: ISO 2852 / SMS 3016 Clamp HJA, HJB: ISO 2852 Clamp (for JIS G3447 Piping)									
		Size Code	015	025	032	040	050	065	080	100	125
		Size	15 (0.5)	25 (1)	32 (1.25)	40 (1.5)	50 (2)	65 (2.5)	80 (3)	100 (4)	125 (5)
		Lining Code	A	A	A	A	A	A	A	A	A
Remote Sensor	Lay Length	L	166 (6.54)	166 (6.54)	166 (6.54)	166 (6.54)	176 (6.93)	196 (7.72)	216 (8.50)	246 (9.69)	316 (12.44)
	Outer Diameter	øD	73 (2.87)	73 (2.87)	73 (2.87)	86 (3.39)	99 (3.90)	117 (4.61)	129 (5.08)	155 (6.10)	183 (7.20)
Integral Flowmeter	Inner Diameter	ød	17.5 (0.69)	23.0 (0.91)	29.4 (1.16)	35.7 (1.41)	47.8 (1.88)	59.5 (2.34)	72.3 (2.85)	97.6 (3.84)	133.8 (5.27)
	Height	H1	116 (4.57)	116 (4.57)	116 (4.57)	129 (5.08)	149 (5.87)	166 (6.54)	176 (6.93)	202 (7.95)	230 (9.06)
Remote Sensor	Maximum Height	Hr	233 (9.17)	233 (9.17)	233 (9.17)	246 (9.69)	266 (10.47)	283 (11.14)	293 (11.54)	319 (12.56)	347 (13.66)
	Approx. Weight, Unit: kg (lb) (*1)		3.1 (6.8)	2.9 (6.4)	3.0 (6.6)	3.3 (7.3)	4.1 (9.0)	5.4 (11.9)	6.4 (14.1)	9.1 (20.1)	13.5 (29.8)
Integral Flowmeter	Maximum Height	Hi	278 (10.94)	278 (10.94)	278 (10.94)	291 (11.46)	311 (12.24)	328 (12.91)	338 (13.31)	364 (14.33)	392 (15.43)
	Approx. Weight, Unit: kg (lb)		5.6 (12.4)	5.4 (11.9)	5.5 (12.1)	5.8 (12.8)	6.7 (14.8)	7.9 (17.4)	8.9 (19.6)	11.7 (25.8)	16.1 (35.5)

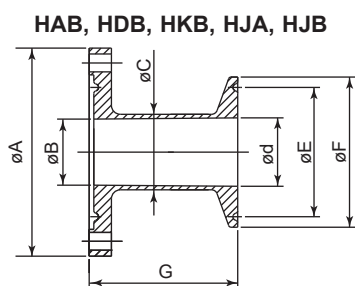
\*1: When optional code DHC is selected, waterproof glands with union joints and cables are attached. When the cable length is 30-meters, add 9.5 kg (20.9 lb) to the weight in the table.

Unless otherwise specified, difference in the dimensions are specified as : General tolerance = ± (Criteria of tolerance class IT18 in JIS B0401-1) / 2

## ○ Clamp Connection Adapter

Unit: mm (approx. in.)

Process Connection Code	HAB: Tri-Clamp						
	015	025	040	050	065	080	100
Size	15 (0.5)	25 (1)	40 (1.5)	50 (2)	65 (2.5)	80 (3)	100 (4)
øA	70 (2.76)	70 (2.76)	83 (3.27)	96 (3.78)	114 (4.49)	126 (4.96)	152 (5.98)
øB	16.0 (0.63)	22.2 (0.87)	34.6 (1.36)	47.6 (1.87)	59.5 (2.34)	72.3 (2.85)	97.0 (3.82)
øC	19.2 (0.76)	25.4 (1.00)	38.1 (1.50)	50.8 (2.00)	63.5 (2.50)	76.2 (3.00)	101.6 (4.00)
ød	15.7 (0.62)	22.1 (0.87)	34.8 (1.37)	47.5 (1.87)	60.2 (2.37)	72.9 (2.87)	97.4 (3.83)
øE	-	43.6 (1.72)	43.6 (1.72)	56.3 (2.22)	70.6 (2.78)	83.3 (3.28)	110.3 (4.34)
øF	25.0 (0.98)	50.4 (1.98)	50.4 (1.98)	64.0 (2.52)	77.4 (3.05)	91.0 (3.58)	118.9 (4.68)
G	50 (1.97)	50 (1.97)	50 (1.97)	50 (1.97)	50 (1.97)	50 (1.97)	50 (1.97)



F01-2.ai

Clamp Connection Adapter

Unit: mm (approx. in.)

Process Connection Code	HDB: DIN 32676 Clamp								
	015	025	032	040	050	065	080	100	125
Size	15 (0.5)	25 (1)	32 (1.25)	40 (1.5)	50 (2)	65 (2.5)	80 (3)	100 (4)	125 (5)
øA	70 (2.76)	70 (2.76)	70 (2.76)	83 (3.27)	96 (3.78)	114 (4.49)	126 (4.96)	152 (5.98)	180 (7.09)
øB	16.0 (0.63)	22.2 (0.87)	29.4 (1.16)	34.6 (1.36)	47.6 (1.87)	59.5 (2.34)	72.3 (2.85)	97.0 (3.82)	121.0 (4.76)
øC	20.0 (0.79)	30.0 (1.18)	36.0 (1.42)	42.0 (1.65)	54.0 (2.13)	70.0 (2.76)	85.0 (3.35)	104.0 (4.09)	129.0 (5.08)
ød	16.0 (0.63)	26.0 (1.02)	32.0 (1.26)	38.0 (1.50)	50.0 (1.97)	66.0 (2.60)	81.0 (3.19)	100.0 (3.94)	125.0 (4.92)
øE	27.5 (1.08)	43.5 (1.71)	43.5 (1.71)	43.5 (1.71)	56.5 (2.22)	83.5 (3.29)	97.0 (3.82)	110.0 (4.33)	146.0 (5.75)
øF	34.0 (1.34)	50.5 (1.99)	50.5 (1.99)	50.5 (1.99)	64.0 (2.52)	91.0 (3.58)	106.0 (4.17)	119.0 (4.69)	155.0 (6.10)
G	50 (1.97)	50 (1.97)	50 (1.97)	50 (1.97)	50 (1.97)	50 (1.97)	50 (1.97)	50 (1.97)	60 (2.36)

Unit: mm (approx. in.)

Process Connection Code	HKB: ISO 2852 / SMS 3016 Clamp								
	015	025	032	040	050	065	080	100	125
Size	15 (0.5)	25 (1)	32 (1.25)	40 (1.5)	50 (2)	65 (2.5)	80 (3)	100 (4)	125 (5)
øA	70 (2.76)	70 (2.76)	70 (2.76)	83 (3.27)	96 (3.78)	114 (4.49)	126 (4.96)	152 (5.98)	180 (7.09)
øB	16.0 (0.63)	22.2 (0.87)	29.4 (1.16)	34.6 (1.36)	47.6 (1.87)	59.5 (2.34)	72.3 (2.85)	97.0 (3.82)	121.0 (4.76)
øC	18.0 (0.71)	25.6 (1.01)	34.3 (1.35)	38.6 (1.52)	51.6 (2.03)	64.1 (2.52)	76.7 (3.02)	102.5 (4.04)	141.2 (5.56)
ød	15.2 (0.60)	22.6 (0.89)	31.3 (1.23)	35.6 (1.40)	48.6 (1.91)	60.3 (2.37)	72.9 (2.87)	97.6 (3.84)	135.7 (5.34)
øE	27.5 (1.08)	43.5 (1.71)	43.5 (1.71)	43.5 (1.71)	56.5 (2.22)	70.5 (2.78)	83.5 (3.29)	110.0 (4.33)	146.0 (5.75)
øF	34.0 (1.34)	50.5 (1.99)	50.5 (1.99)	50.5 (1.99)	64.0 (2.52)	77.5 (3.05)	91.0 (3.58)	119.0 (4.69)	155.0 (6.10)
G	50 (1.97)	50 (1.97)	50 (1.97)	50 (1.97)	50 (1.97)	50 (1.97)	50 (1.97)	50 (1.97)	60 (2.36)

Unit: mm (approx. in.)

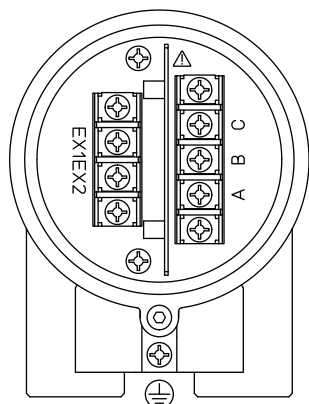
Process Connection Code	HJA, HJB: ISO 2852 Clamp (for JIS G3447 Piping)								
	015	025	032	040	050	065	080	100	125
Size	15 (0.5)	25 (1)	32 (1.25)	40 (1.5)	50 (2)	65 (2.5)	80 (3)	100 (4)	125 (5)
øA	70 (2.76)	70 (2.76)	70 (2.76)	83 (3.27)	96 (3.78)	114 (4.49)	126 (4.96)	152 (5.98)	180 (7.09)
øB	16.0 (0.63)	22.2 (0.87)	29.4 (1.16)	34.6 (1.36)	47.6 (1.87)	59.5 (2.34)	72.3 (2.85)	97.0 (3.82)	121.0 (4.76)
øC	21.7 (0.85)	25.4 (1.00)	31.8 (1.25)	38.1 (1.50)	50.8 (2.00)	63.5 (2.50)	76.3 (3.00)	101.6 (4.00)	139.8 (5.50)
ød	17.5 (0.69)	23.0 (0.91)	29.4 (1.16)	35.7 (1.41)	47.8 (1.88)	59.5 (2.34)	72.3 (2.85)	97.6 (3.84)	133.8 (5.27)
øE	27.5 (1.08)	43.5 (1.71)	43.5 (1.71)	43.5 (1.71)	56.5 (2.22)	70.5 (2.78)	83.5 (3.29)	110.0 (4.33)	146.0 (5.75)
øF	34.0 (1.34)	50.5 (1.99)	50.5 (1.99)	50.5 (1.99)	64.0 (2.52)	77.5 (3.05)	91.0 (3.58)	119.0 (4.69)	155.0 (6.10)
G	50 (1.97)	50 (1.97)	50 (1.97)	50 (1.97)	50 (1.97)	50 (1.97)	50 (1.97)	50 (1.97)	60 (2.36)

### Terminal Configuration and Wiring

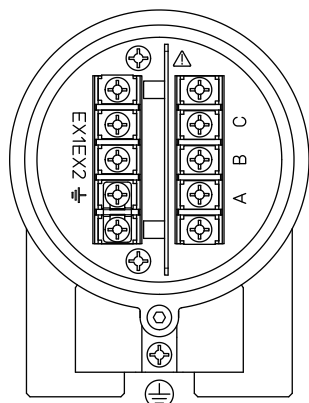
#### Remote Sensor:

<To be wired to Remote Transmitter>

#### Non Explosion Protection Use



#### Explosion Protection Use



Terminal Symbol	Description
A B C	Flow Signal Output
EX1 EX2	Excitation Current Input
⊕	Protective Grounding (Outside of the terminal box)
⊕	Functional Grounding

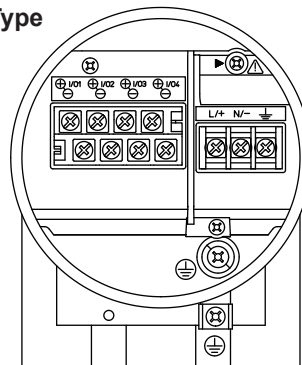
F02.ai

Note: When optional code DHC is selected, waterproof glands with union joints and cables are attached.

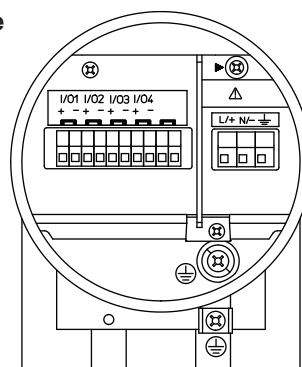
#### Integral Flowmeter:

<To be wired to Power Supply and I/Os>

#### M4 Screw Type



#### Clamp Type



Terminal Symbol	Description
▶	Shorting Screw (Need to be fixed for normal operation)
⊕	Functional Grounding
N/ L/+	Power Supply
I/O4 - I/O4 + I/O3 - I/O3 + I/O2 - I/O2 + I/O1 - I/O1 +	Selected Input/Output
⊕	Protective Grounding (Inside and outside of the terminal box)

F03.ai