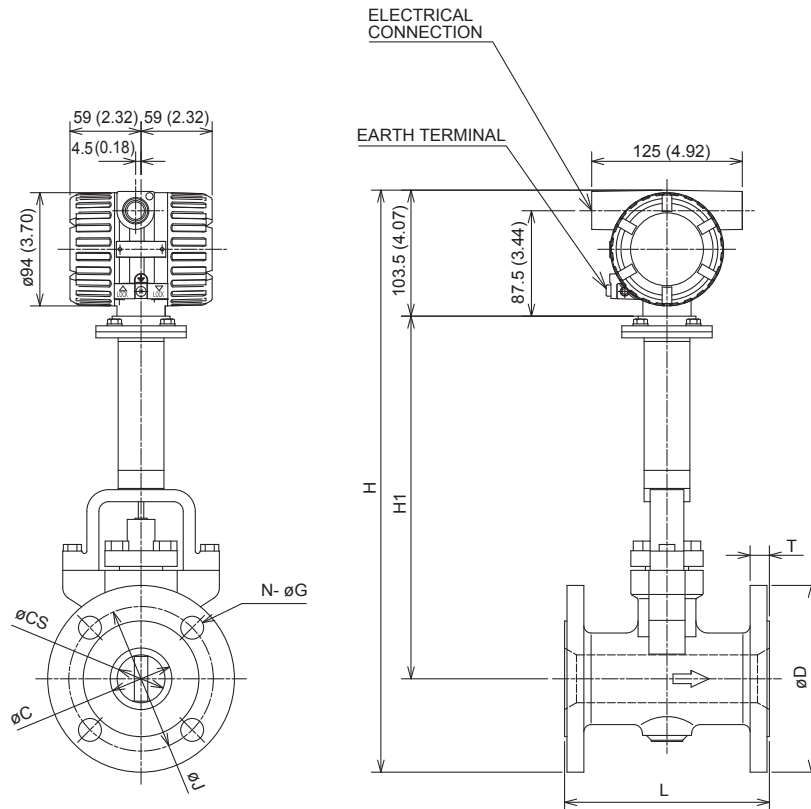


Drawings

digitalYEWFLO Series Vortex Flowmeter High Process Temperature Version (/HT),
Reduced Bore Type (/R1)
Remote, Flange
[DY100, DY150]

SD 01F06A00-13EN

Unit : mm
(approx. inch)



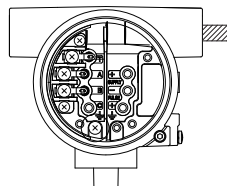
TYPE	REMOTE							
MODEL CODE	DY100/HT/R1				DY150/HT/R1			
PROCESS CONNECTION	BJ1	BJ2	BA1 BS1	BA2 BS2	BJ1	BJ2	BA1 BS1	BA2 BS2
L	220 (8.66)				270 (10.63)			
C	93.8 (3.69)				138.8 (5.46)			
CS	71 (2.79)				93.8 (3.69)			
D	210 (8.27)	225 (8.86)	228.6 (9.00)	254 (10.00)	280 (11.02)	305 (12.01)	279.4 (11.00)	317.5 (12.50)
H	526.5 (20.73)	534 (21.02)	536 (21.10)	548.5 (21.59)	576.5 (22.70)	589 (23.19)	576 (22.68)	595.5 (23.44)
H1	318 (12.52)				333 (13.11)			
T	18 (0.71)	24 (0.94)	23.9 (0.94)	31.8 (1.25)	22 (0.87)	28 (1.10)	25.4 (1.00)	36.6 (1.44)
J	175 (6.89)	185 (7.28)	190.5 (7.50)	200.2 (7.88)	240 (9.45)	260 (10.24)	241.3 (9.50)	269.7 (10.62)
N	8				8			
G	19 (0.75)	23 (0.91)	19 (0.75)	22.4 (0.88)	23 (0.91)	25 (0.98)	22.4 (0.88)	22.4 (0.88)
WEIGHT kg (lb)	25.4 (56.0)	30.4 (67.0)	31 (68.3)	41.4 (91.3)	45.9 (101.2)	56.3 (124.1)	49.4 (108.9)	71.7 (158.1)

(Note 1) The flow direction is opposite (right to left when facing onto indicator) in case of code /CRC.

Terminal Wiring

Remote Type Detector	T	Built-in Temperature Sensor Terminal
	A	Signal Output Terminals
	B	
	C	Common Terminal
	⊕	Grounding Terminal

* Use DYC signal cable for remote type.
* T is used for /MV only.



Remote type