

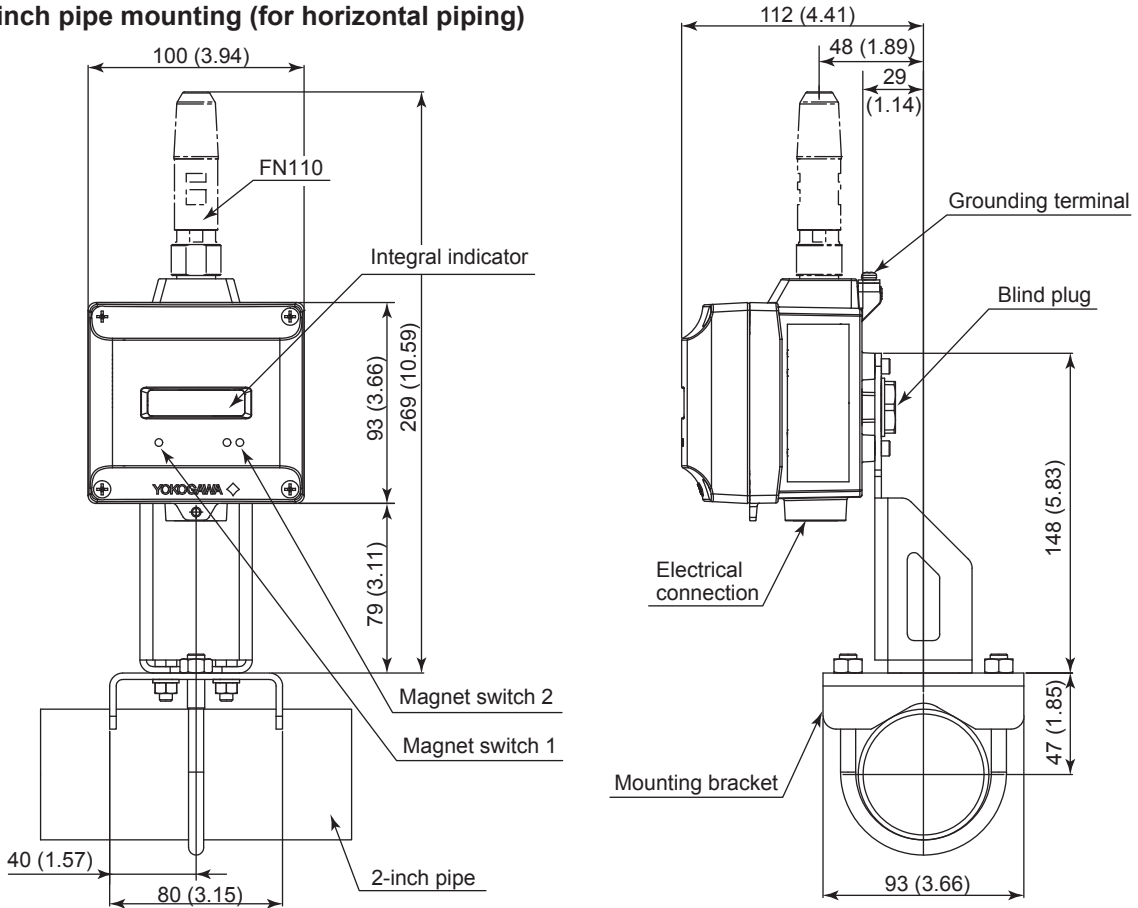
Drawings

FN510 Field Wireless Multi-Function Module

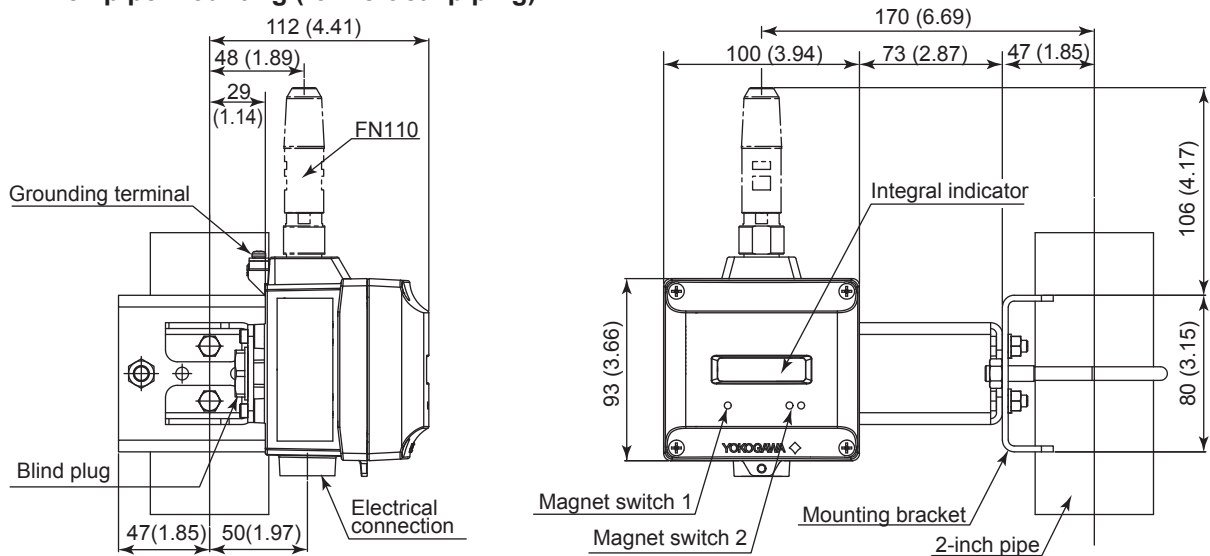
SD 01W03E01-01EN

Unit: mm (approx. inch)

□ 2-inch pipe mounting (for horizontal piping)

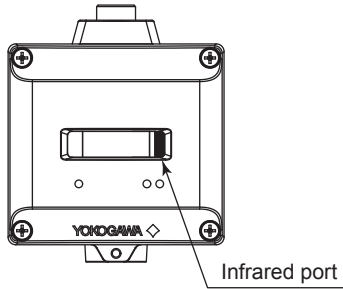


□ 2-inch pipe mounting (for vertical piping)

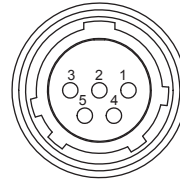


F01.ai

● Infrared Configuration



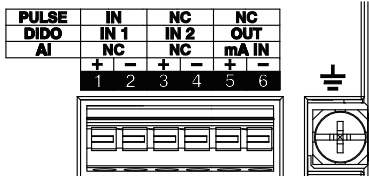
● Pin Assignment of FN110 Connection Terminal



Pin	Signal
1	Frame Ground*
2	Signal Ground
3	Power Supply
4	Transmit/Receive Data positive
5	Transmit/Receive Data negative

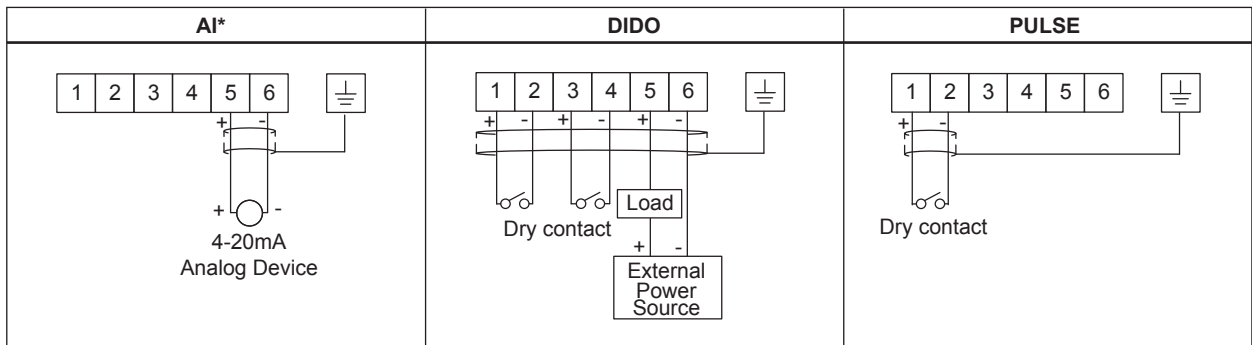
* Wired to the grounding terminal inside the FN510 housing.

● Input Terminal Configurations



Terminal	Signal		
	AI	DIDO	PULSE
1	No Connection	Input Signal1 +	Input Signal +
2	No Connection	Input Signal1 -	Input Signal -
3	No Connection	Input Signal2 +	No Connection
4	No Connection	Input Signal2 -	No Connection
5	Input Signal +	Output Signal +	No Connection
6	Input Signal -	Output Signal -	No Connection
⏏	Frame Ground		

● Input Wiring



* A power supply to the 4-20 mA Analog Device is necessary.

F02.ai