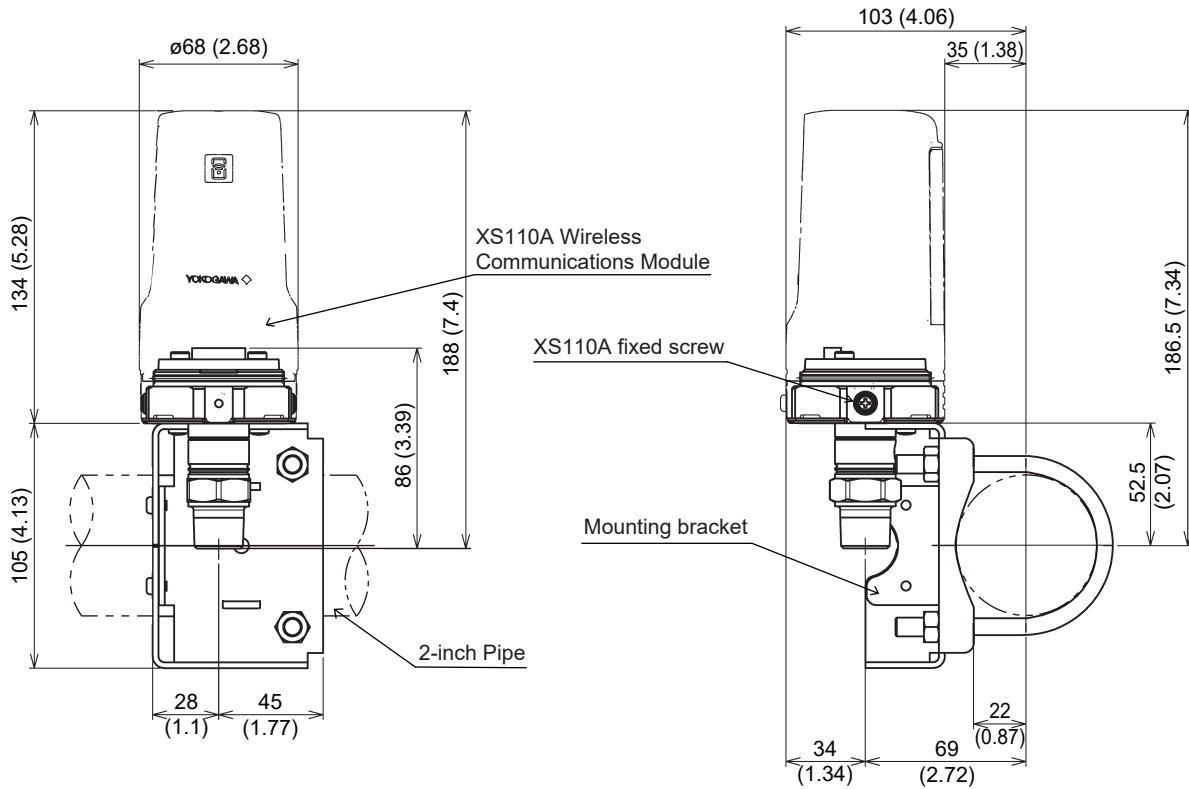


SD 01W06F01-01EN

■ DIMENSIONS

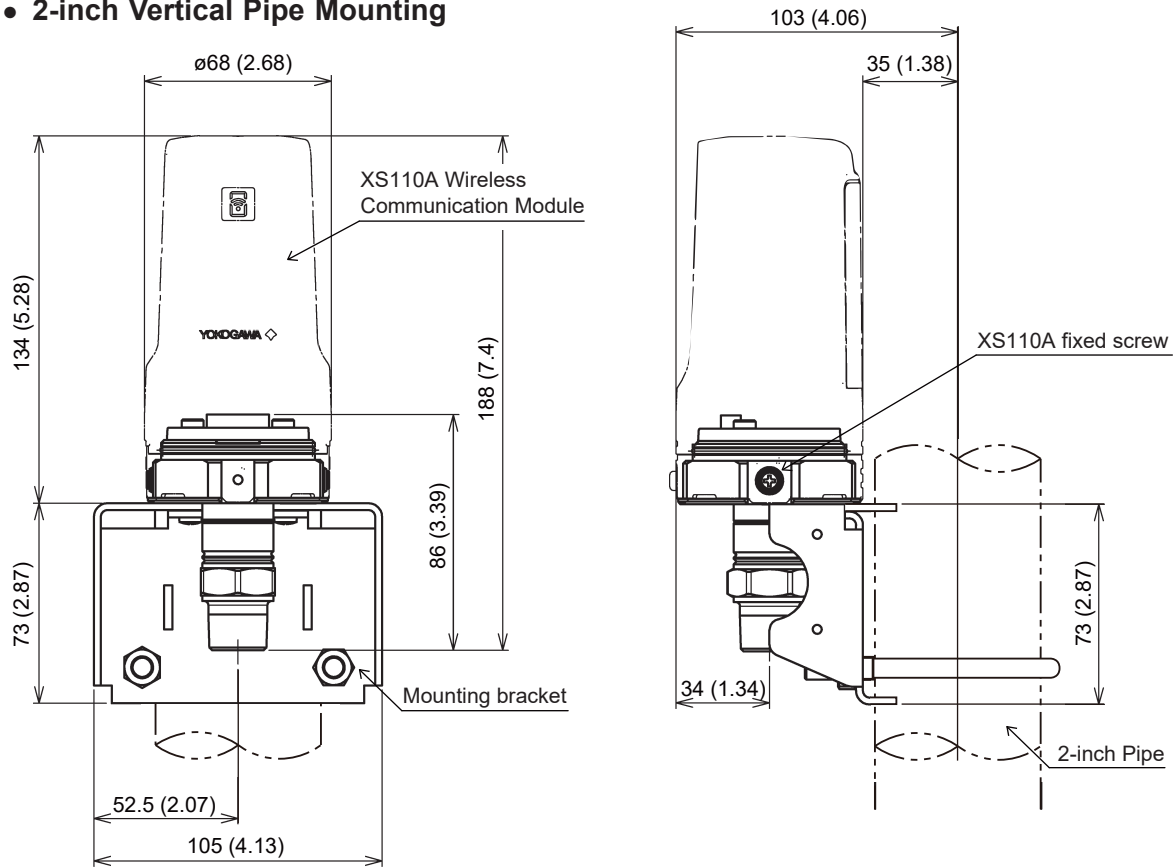
Unit: mm (approx. inch)

● 2-inch Horizontal Pipe Mounting



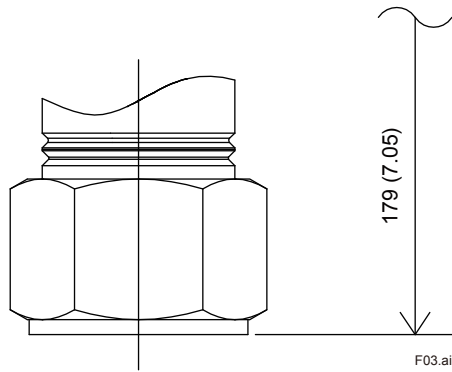
F01.ai

• **2-inch Vertical Pipe Mounting**



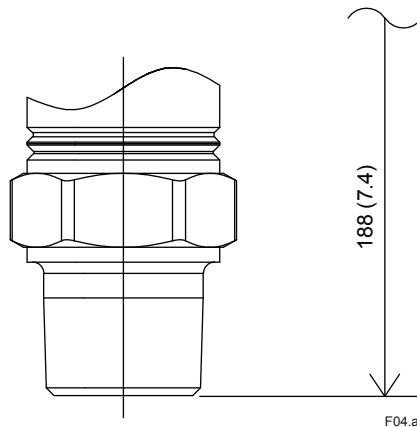
F02.ai

• **Process Connections: 1/2 NPT female (Process Connection Code 4)**



F03.ai

• **Process Connections: 1/2 NPT male (Process Connection Code 7)**



F04.ai