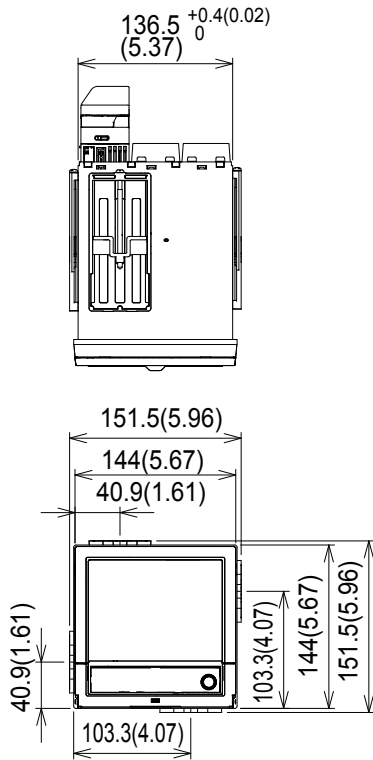


SD 04L51B01-01EN

Unit: mm  
(approx. inch)

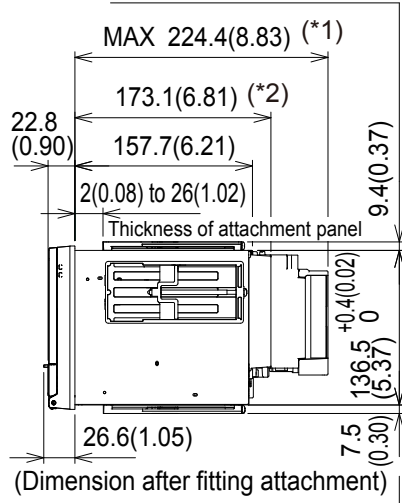
### [ Main Unit ]

#### External Dimensions



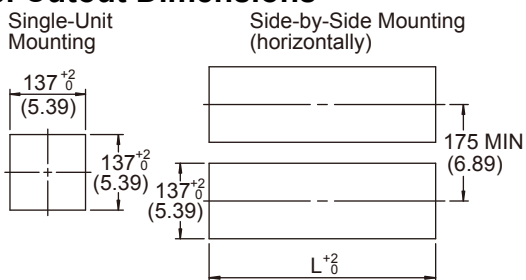
Unless otherwise specified, tolerance is  $\pm 3\%$  (however, tolerance is  $\pm 0.3$  mm when below 10 mm).

(Dimension before fitting attachment)

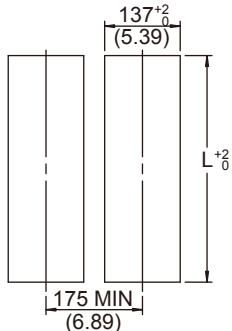


\*1: with modules  
\*2: without modules

#### Panel Cutout Dimensions

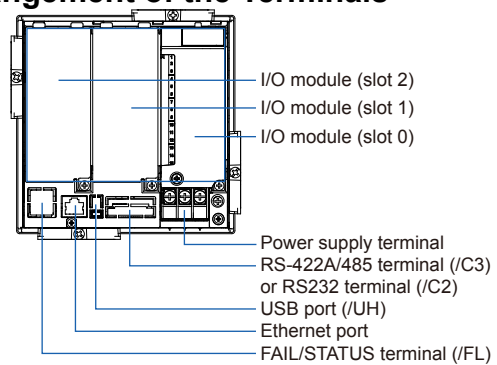


Side-by-Side Mounting (vertically, max. 3 units)



Units	$L^{+2}_0$
2	282 (11.10)
3	426 (16.77)
4	570 (22.44)
5	714 (28.11)
6	858 (33.78)
7	1002 (39.45)
8	1146 (45.12)
9	1290 (50.79)
10	1434 (56.46)
n	(144×n)-6

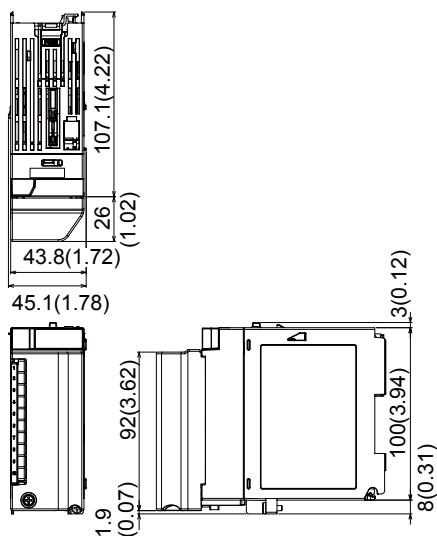
#### Arrangement of the Terminals



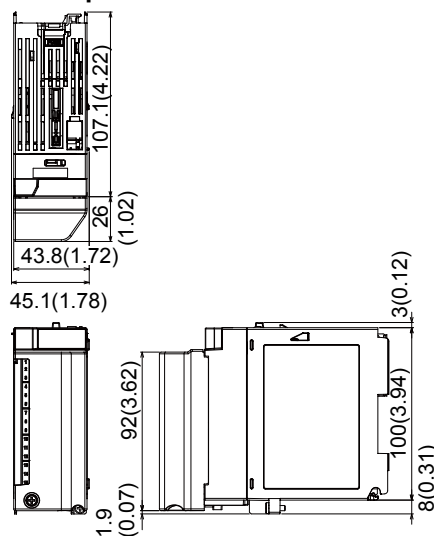
## [ Analog Input Module ]

### External Dimensions

#### M3 screw terminals



#### Clamp terminals



### Arrangement of the Terminals

#### M3 screw terminals

No.	Symbol	No.	Symbol	No.	Symbol
301	CH1(/b)	201	CH1(-/B)	101	CH1(+/A)
302	CH2(/b)	202	CH2(-/B)	102	CH2(+/A)
303	CH3(/b)	203	CH3(-/B)	103	CH3(+/A)
304	CH4(/b)	204	CH4(-/B)	104	CH4(+/A)
305	CH5(/b)	205	CH5(-/B)	105	CH5(+/A)
306	CH6(/b)	206	CH6(-/B)	106	CH6(+/A)
307	CH7(/b)	207	CH7(-/B)	107	CH7(+/A)
308	CH8(/b)	208	CH8(-/B)	108	CH8(+/A)
309	CH9(/b)	209	CH9(-/B)	109	CH9(+/A)
310	CH10(/b)	210	CH10(-/B)	110	CH10(+/A)

\* RTD input terminal b is shorted internally across all channels.

#### Clamp terminals

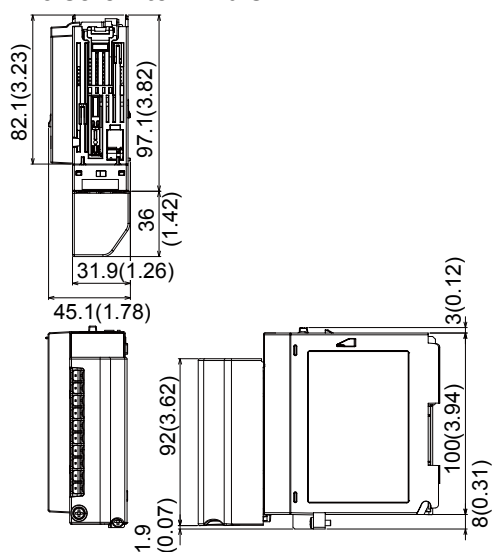
No.	Symbol	No.	Symbol
201	CH2(+/A)	101	CH1(+/A)
202	CH2(-/B)	102	CH1(-/B)
203	CH2(/b)	103	CH1(/b)
204	CH4(+/A)	104	CH3(+/A)
205	CH4(-/B)	105	CH3(-/B)
206	CH4(/b)	106	CH3(/b)
207	CH6(+/A)	107	CH5(+/A)
208	CH6(-/B)	108	CH5(-/B)
209	CH6(/b)	109	CH5(/b)
210	CH8(+/A)	110	CH7(+/A)
211	CH8(-/B)	111	CH7(-/B)
212	CH8(/b)	112	CH7(/b)
213	CH10(+/A)	113	CH9(+/A)
214	CH10(-/B)	114	CH9(-/B)
215	CH10(/b)	115	CH9(/b)

\* RTD input terminal b is shorted internally across all channels.

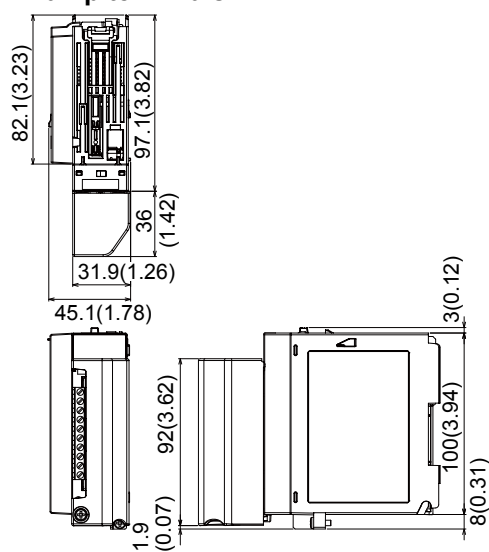
## [ Digital Input Module ]

### External Dimensions

#### M3 screw terminals



#### Clamp terminals



### Arrangement of the Terminals

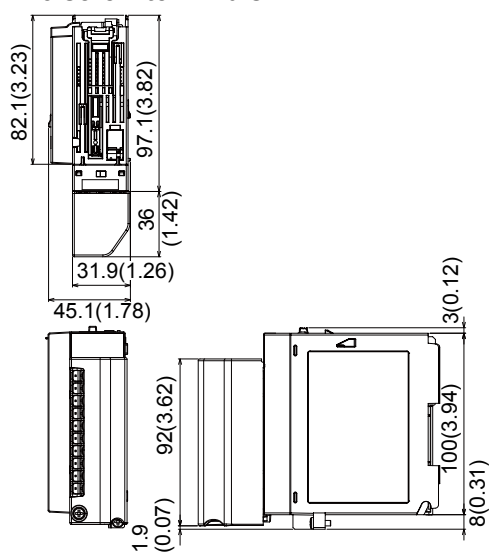
#### M3 screw terminals/Clamp terminals

No.	Symbol	No.	Symbol
21	DI9	11	DI1
22	DI10	12	DI2
23	DI11	13	DI3
24	DI12	14	DI4
25	DI13	15	DI5
26	DI14	16	DI6
27	DI15	17	DI7
28	DI16	18	DI8
29	COM	19	COM
30	-	20	-

## [ Digital Output Module ]

### External Dimensions

#### M3 screw terminals



### Arrangement of the Terminals

#### M3 screw terminals

No.	Symbol	No.	Symbol
21	DO4 N.C.	11	DO1 N.C.
22	DO4 COM	12	DO1 COM
23	DO4 N.O.	13	DO1 N.O.
24	DO5 N.C.	14	DO2 N.C.
25	DO5 COM	15	DO2 COM
26	DO5 N.O.	16	DO2 N.O.
27	DO6 N.C.	17	DO3 N.C.
28	DO6 COM	18	DO3 COM
29	DO6 N.O.	19	DO3 N.O.
30	-	20	-