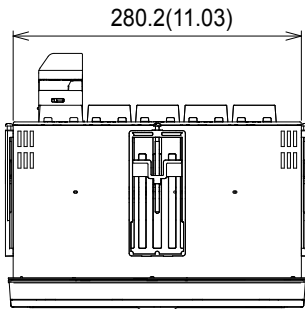


SD 04L51B02-01EN

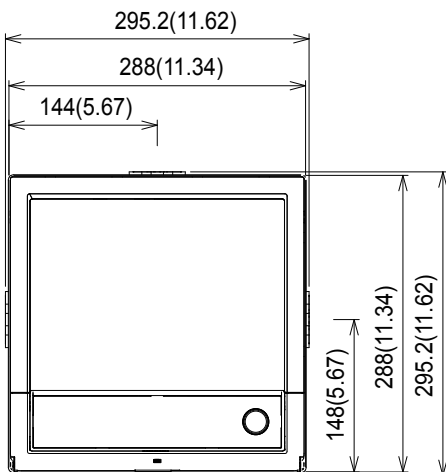
Unit: mm  
(approx. inch)

### [ Main Unit ]

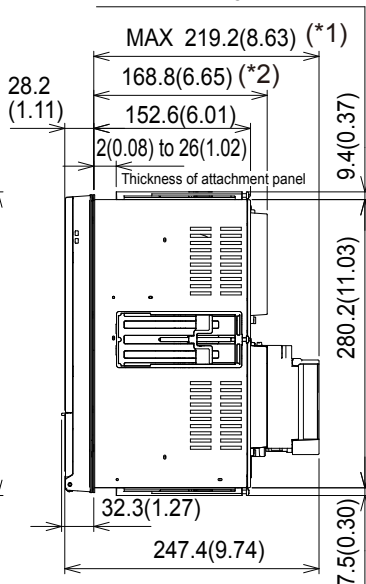
#### External Dimensions



Unless otherwise specified, tolerance is  $\pm 3\%$  (however, tolerance is  $\pm 0.3$  mm when below 10 mm).



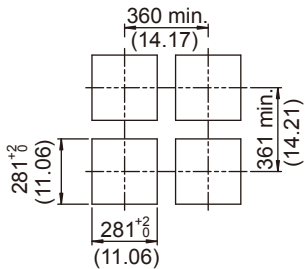
(Dimension before fitting attachment)



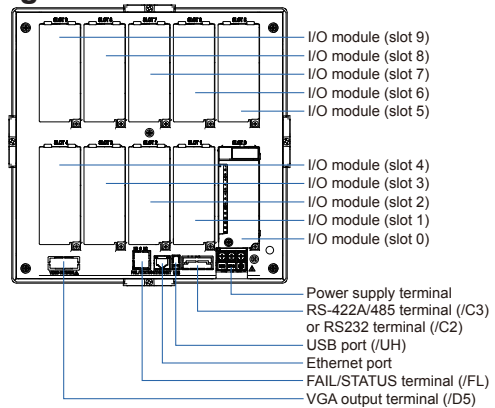
(Dimension after fitting attachment)

\*1: with modules  
\*2: without modules

#### Panel Cutout Dimensions

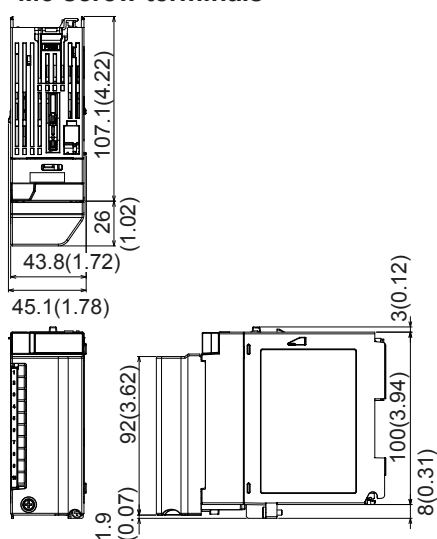


#### Arrangement of the Terminals

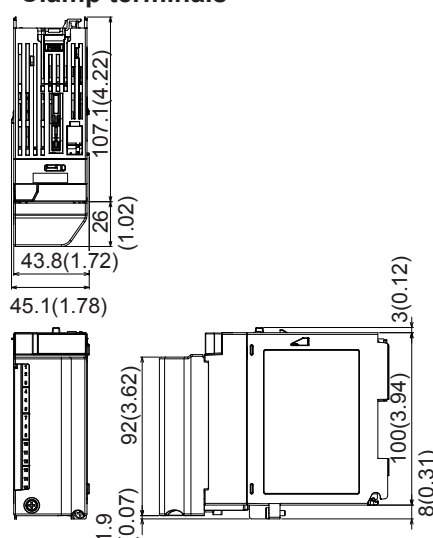


## [ Analog Input Module ] External Dimensions

### M3 screw terminals



### Clamp terminals



## Arrangement of the Terminals

### M3 screw terminals

| No. | Symbol   | No. | Symbol    | No. | Symbol    |
|-----|----------|-----|-----------|-----|-----------|
| 301 | CH1(/b)  | 201 | CH1(-/B)  | 101 | CH1(+/A)  |
| 302 | CH2(/b)  | 202 | CH2(-/B)  | 102 | CH2(+/A)  |
| 303 | CH3(/b)  | 203 | CH3(-/B)  | 103 | CH3(+/A)  |
| 304 | CH4(/b)  | 204 | CH4(-/B)  | 104 | CH4(+/A)  |
| 305 | CH5(/b)  | 205 | CH5(-/B)  | 105 | CH5(+/A)  |
| 306 | CH6(/b)  | 206 | CH6(-/B)  | 106 | CH6(+/A)  |
| 307 | CH7(/b)  | 207 | CH7(-/B)  | 107 | CH7(+/A)  |
| 308 | CH8(/b)  | 208 | CH8(-/B)  | 108 | CH8(+/A)  |
| 309 | CH9(/b)  | 209 | CH9(-/B)  | 109 | CH9(+/A)  |
| 310 | CH10(/b) | 210 | CH10(-/B) | 110 | CH10(+/A) |

\* RTD input terminal b is shorted internally across all channels.

### Clamp terminals

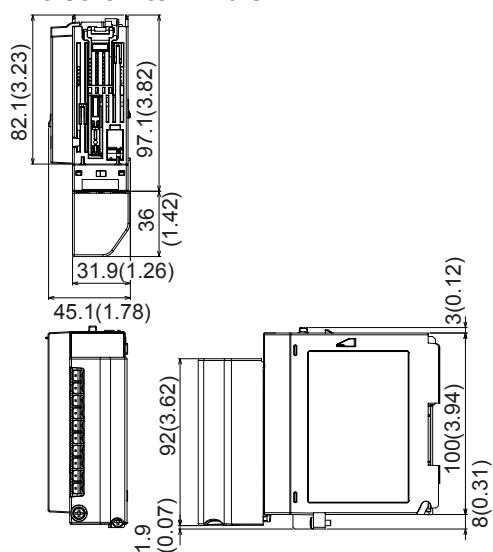
| No. | Symbol    | No. | Symbol   |
|-----|-----------|-----|----------|
| 201 | CH2(+/A)  | 101 | CH1(+/A) |
| 202 | CH2(-/B)  | 102 | CH1(-/B) |
| 203 | CH2(/b)   | 103 | CH1(/b)  |
| 204 | CH4(+/A)  | 104 | CH3(+/A) |
| 205 | CH4(-/B)  | 105 | CH3(-/B) |
| 206 | CH4(/b)   | 106 | CH3(/b)  |
| 207 | CH6(+/A)  | 107 | CH5(+/A) |
| 208 | CH6(-/B)  | 108 | CH5(-/B) |
| 209 | CH6(/b)   | 109 | CH5(/b)  |
| 210 | CH8(+/A)  | 110 | CH7(+/A) |
| 211 | CH8(-/B)  | 111 | CH7(-/B) |
| 212 | CH8(/b)   | 112 | CH7(/b)  |
| 213 | CH10(+/A) | 113 | CH9(+/A) |
| 214 | CH10(-/B) | 114 | CH9(-/B) |
| 215 | CH10(/b)  | 115 | CH9(/b)  |

\* RTD input terminal b is shorted internally across all channels.

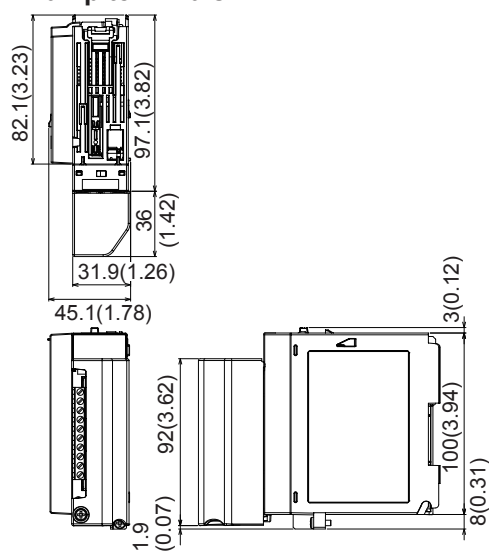
## [ Digital Input Module ]

### External Dimensions

#### M3 screw terminals



#### Clamp terminals



### Arrangement of the Terminals

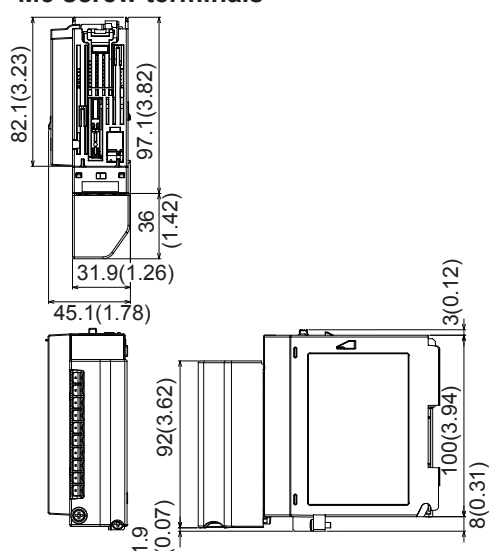
#### M3 screw terminals/Clamp terminals

| No. | Symbol | No. | Symbol |
|-----|--------|-----|--------|
| 21  | DI9    | 11  | DI1    |
| 22  | DI10   | 12  | DI2    |
| 23  | DI11   | 13  | DI3    |
| 24  | DI12   | 14  | DI4    |
| 25  | DI13   | 15  | DI5    |
| 26  | DI14   | 16  | DI6    |
| 27  | DI15   | 17  | DI7    |
| 28  | DI16   | 18  | DI8    |
| 29  | COM    | 19  | COM    |
| 30  | -      | 20  | -      |

## [ Digital Output Module ]

### External Dimensions

#### M3 screw terminals



### Arrangement of the Terminals

#### M3 screw terminals

| No. | Symbol   | No. | Symbol   |
|-----|----------|-----|----------|
| 21  | DO4 N.C. | 11  | DO1 N.C. |
| 22  | DO4 COM  | 12  | DO1 COM  |
| 23  | DO4 N.O. | 13  | DO1 N.O. |
| 24  | DO5 N.C. | 14  | DO2 N.C. |
| 25  | DO5 COM  | 15  | DO2 COM  |
| 26  | DO5 N.O. | 16  | DO2 N.O. |
| 27  | DO6 N.C. | 17  | DO3 N.C. |
| 28  | DO6 COM  | 18  | DO3 COM  |
| 29  | DO6 N.O. | 19  | DO3 N.O. |
| 30  | -        | 20  | -        |