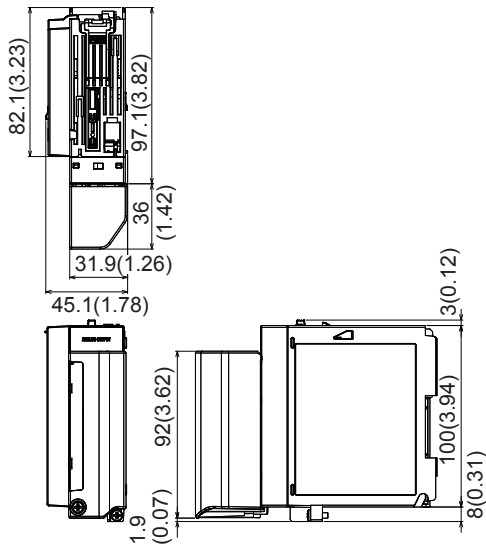


SD 04L53B06-01EN

External Dimensions

Unit: mm
(approx. inch)

M3 screw terminals/Clamp terminals



Arrangement of the Terminals

M3 screw terminals/Clamp terminals

No.	Symbol	
11	CH1	+
12		-
13	CH2	+
14		-
15	CH3	+
16		-
17	CH4	+
18		-
19	N.C.	
20	N.C.	