

Drawings

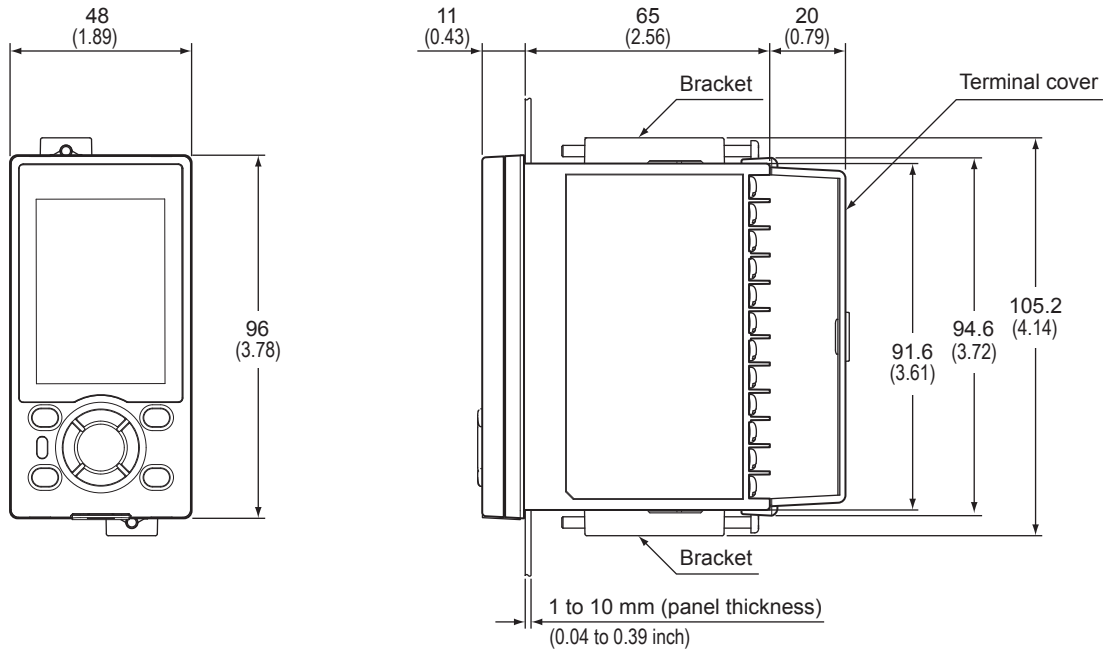
Model UT52A
Digital Indicating Controller



SD 05P01C31-01EN

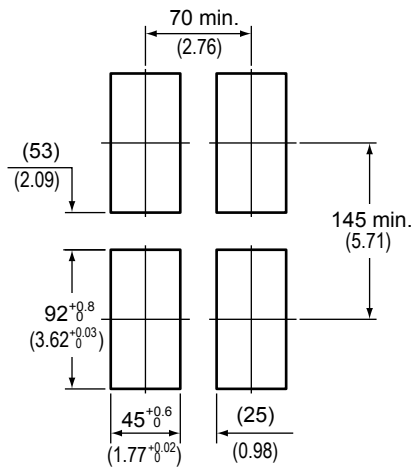
External Dimensions

Unit: mm
(approx. inch)

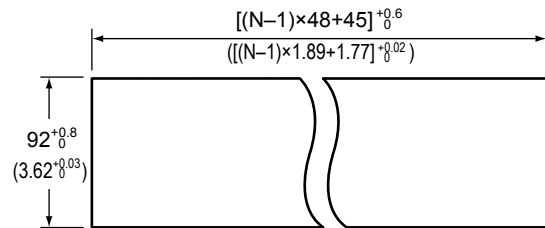


Panel Cutout Dimensions

General mounting



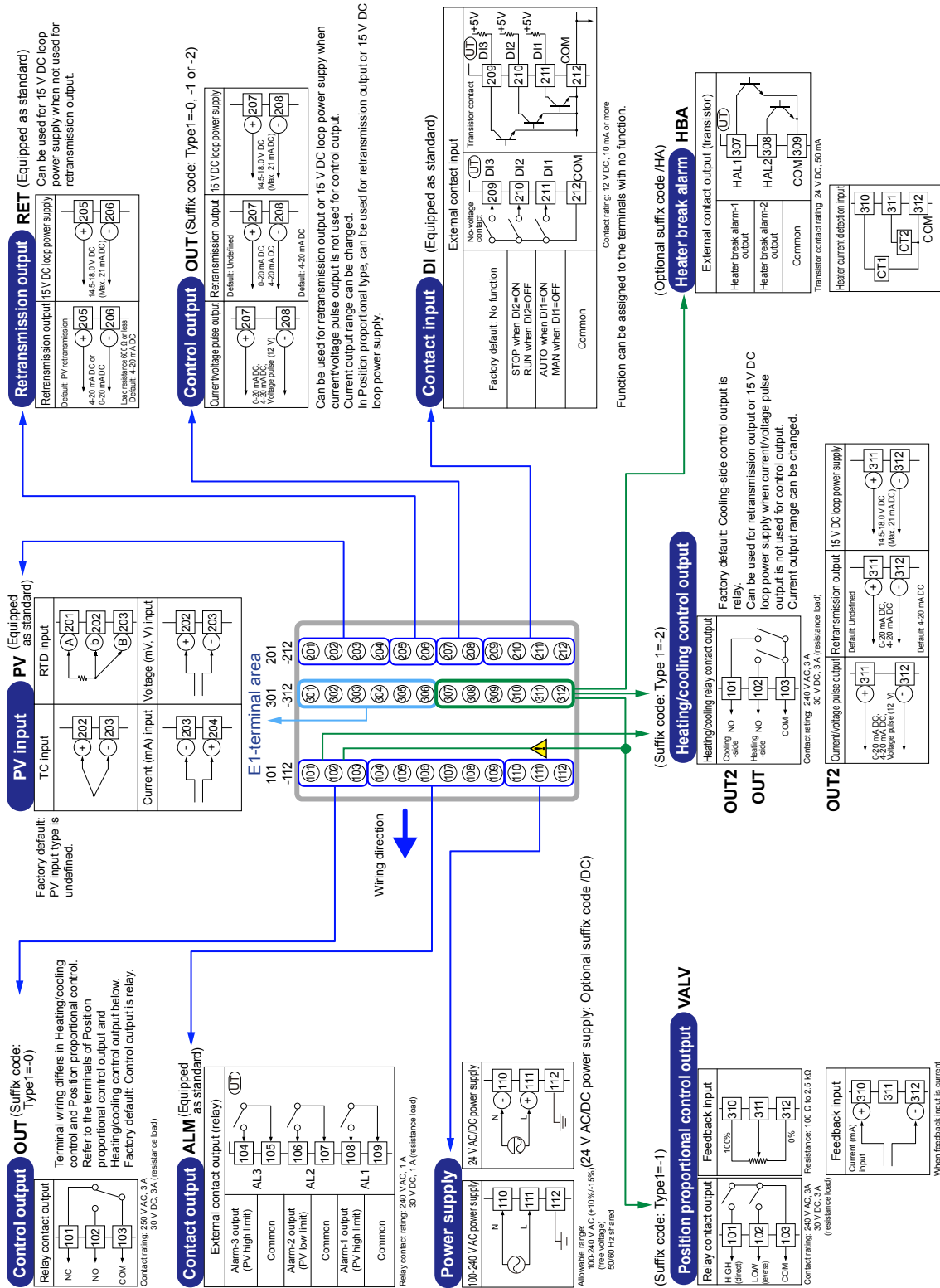
Side-by-side close mounting



"N" stands for the number of controllers to be installed.
However, the measured value applies if $N \geq 5$.

Normal tolerance: $\pm(\text{value of JIS B 0401-1998 tolerance grade IT18}) / 2$

Terminal Wiring Diagrams



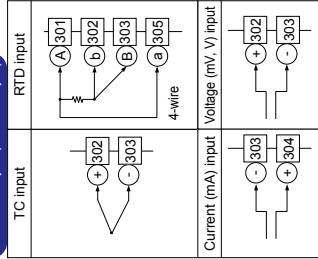
Terminal Wiring Diagrams (E1-Terminal Area)

301-306

E1-Terminal Area

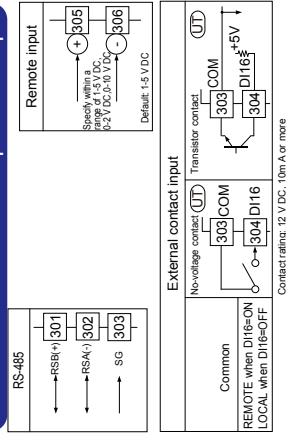
(Suffix code: Type 2=2 and with optional suffix code /DR)

Universal input (Remote input) RSP



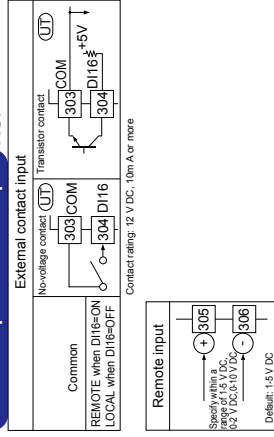
(Suffix code: Type 2=1)

RS-485 communication / Remote input / Contact input RSP/RS485



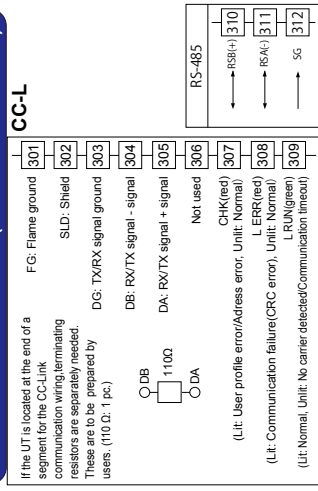
(Suffix code: Type 2=2 and without optional suffix code /DR)

Remote input / Contact input RSP



(Suffix code: Type 3=3)

CC-Link communication (with Modbus master) CC-L



(Suffix code: Type 2=3)

Contact input / Contact output D/DO

