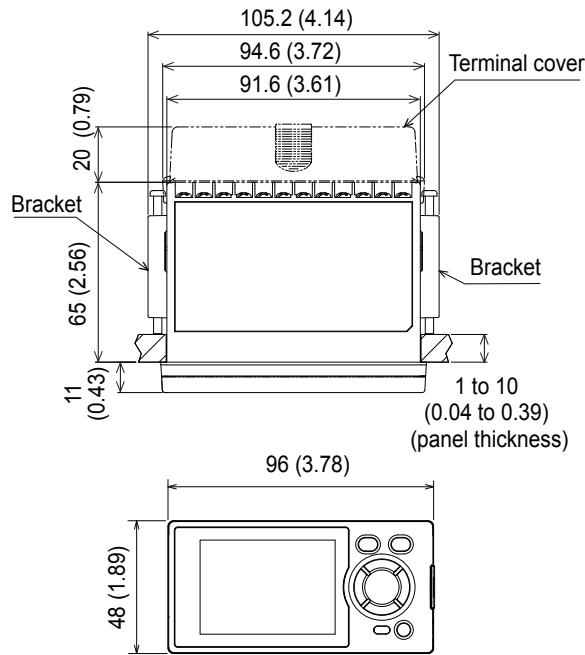


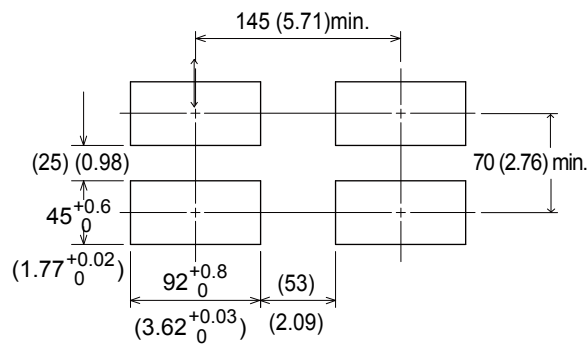
External Dimensions

Unit: mm
(approx. inch)



Panel Cutout Dimensions

General mounting



Normal tolerance: $\pm(\text{value of JIS B 0401-1998 tolerance grade IT18})/2$

Terminal Wiring Diagrams

