

Drawings

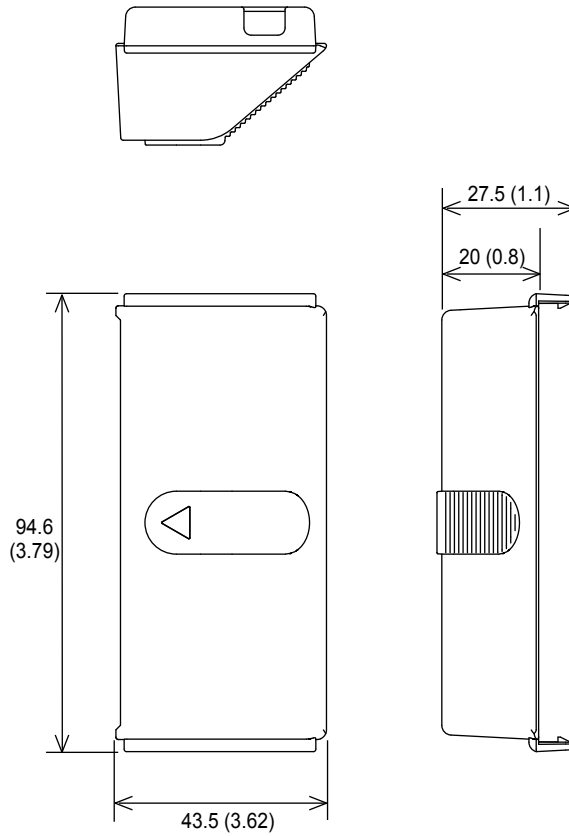
UTAdvanced
Model: UTAP002
Terminal Cover for 48 x 96 mm



SD 05P06A31-01EN

External Dimensions

Unit: mm
(approx. inch)



Normal tolerance: \pm (value of JIS B 0401-1998 tolerance grade IT18) /2