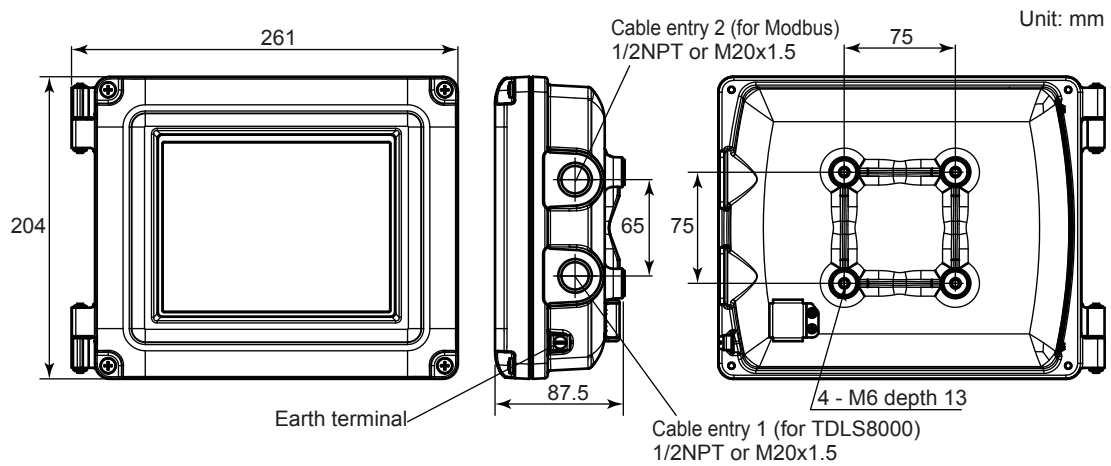


Drawings

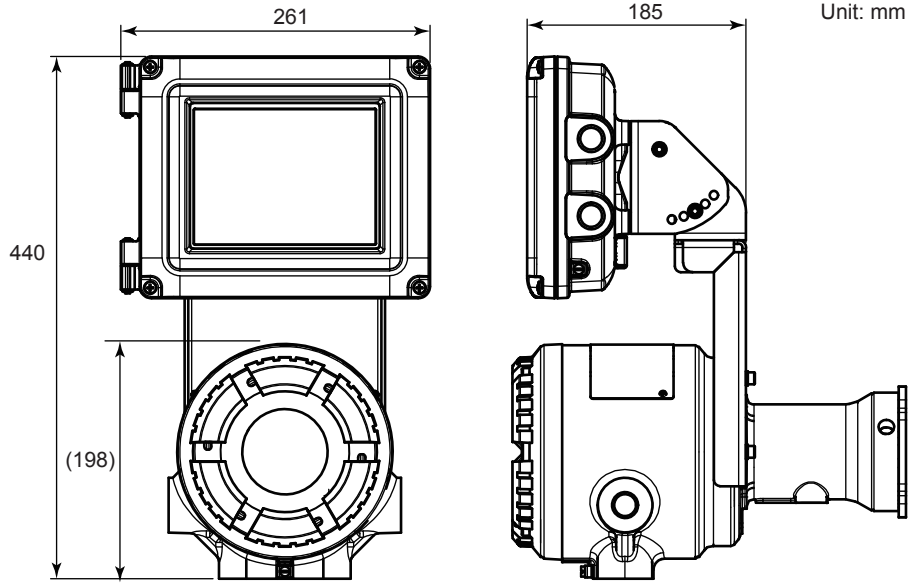
YH8000 HMI Interface Unit for TDLS8000



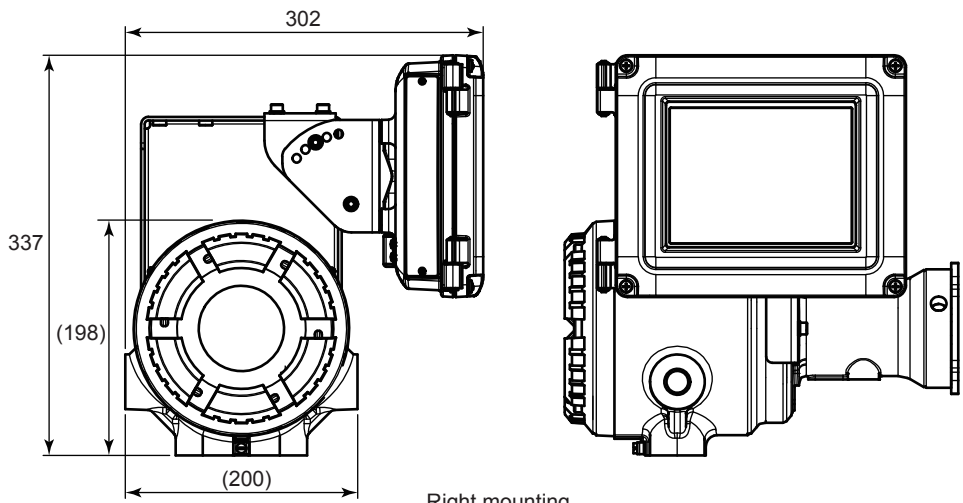
Unless otherwise specified, differences in the dimensions are specified as: General tolerance = \pm (Criteria of tolerance class IT18 in JIS B0401-1998)/2.

□ /M

Mounting kit for TDLS8000



Front mounting

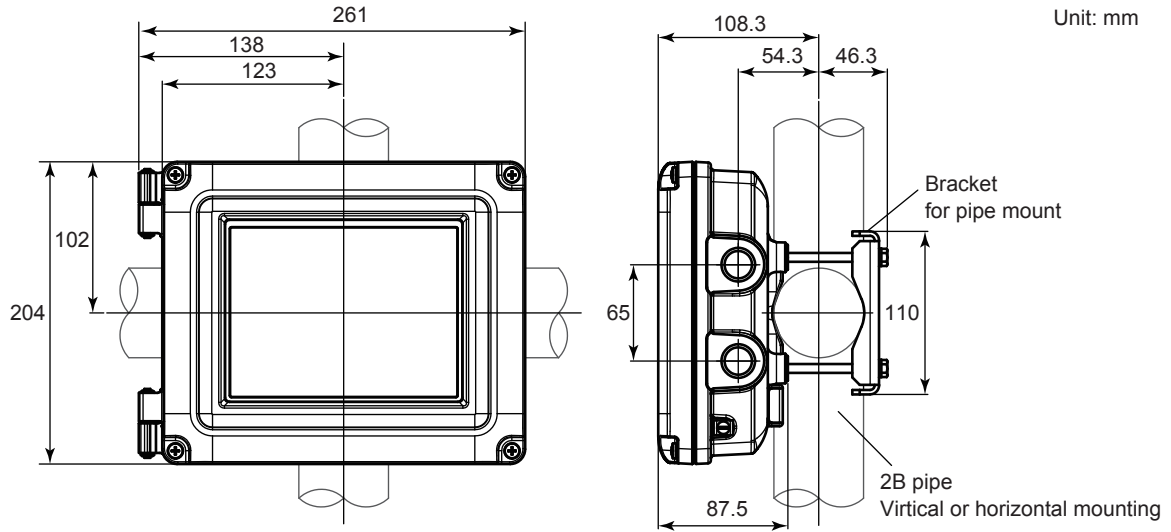


Right mounting

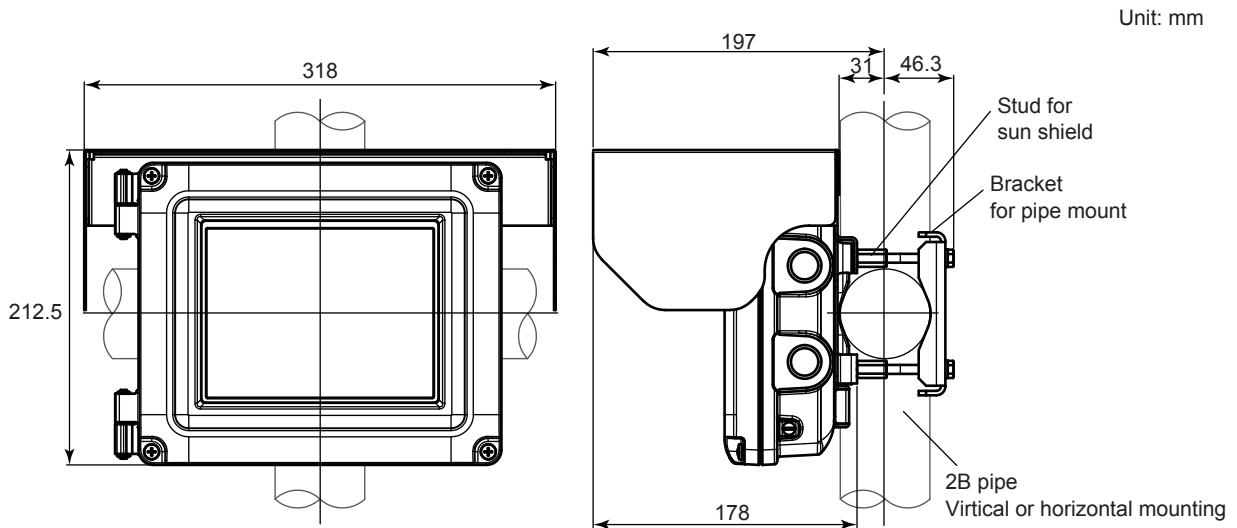
Available for left mounting

Unless otherwise specified, differences in the dimensions are specified as: General tolerance = \pm (Criteria of tolerance class IT18 in JIS B0401-1998)/2.

□ /P Pipe mount

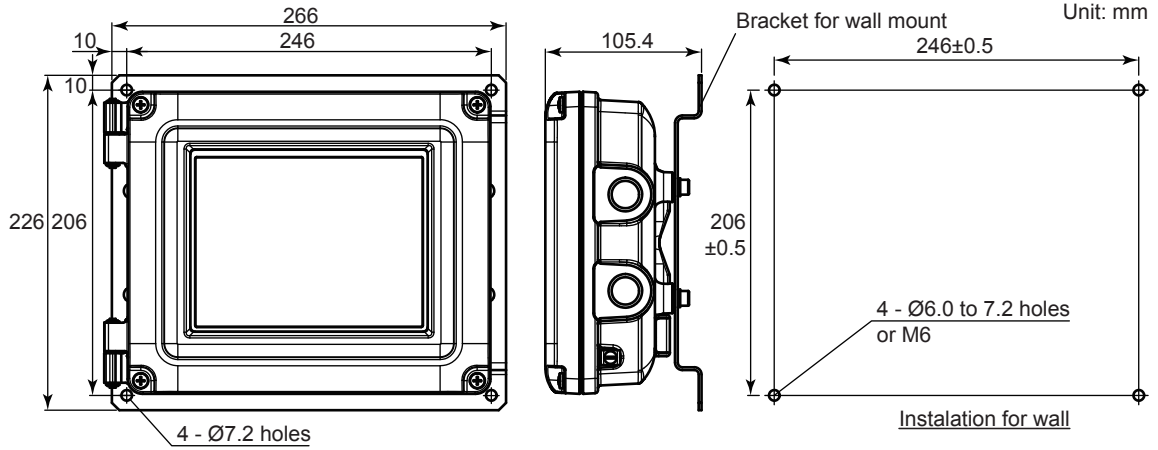


□ /S Sun Shield (Pipe mount)



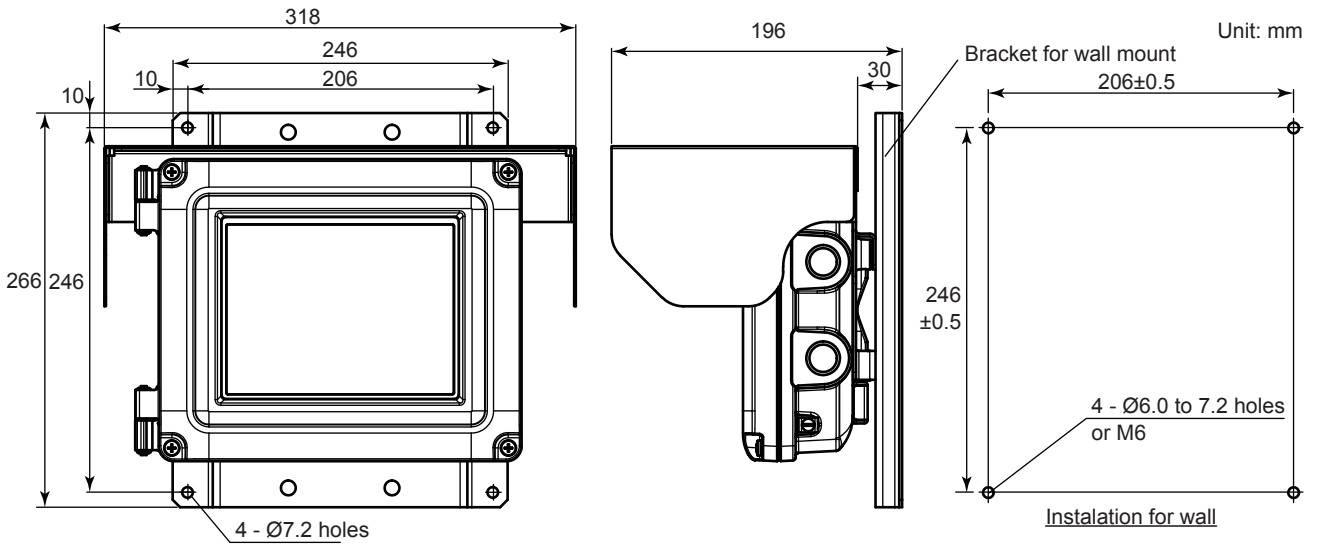
Unless otherwise specified, differences in the dimensions are specified as: General tolerance = \pm (Criteria of tolerance class IT18 in JIS B0401-1998)/2.

□ /W Wall mount



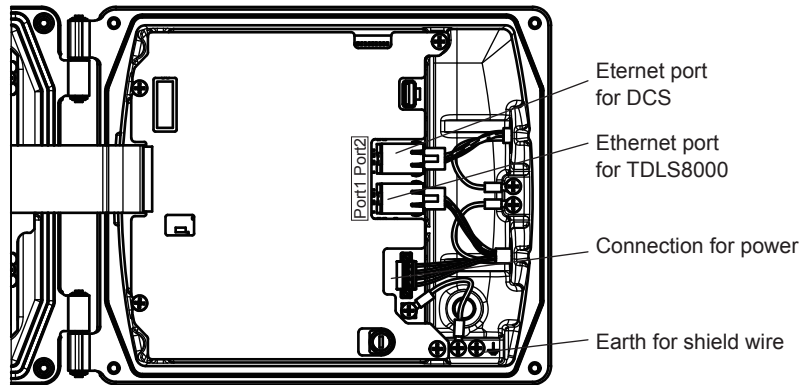
*: The wall construction for mounting has to be designed for 4 times the weight of the YH8000.
Bracket for wall mount can be placed in lengthwise

□ /S Sun Shield (Wall mount)

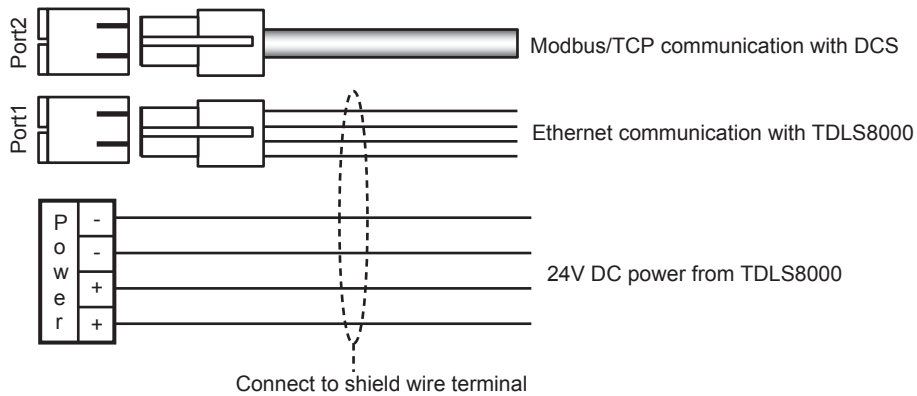


*: The wall construction for mounting has to be designed for 4 times the weight of the YH8000.
When the sun shield is mounted, the bracket for wall have to be placed in widthwise.

■ Wiring Diagram

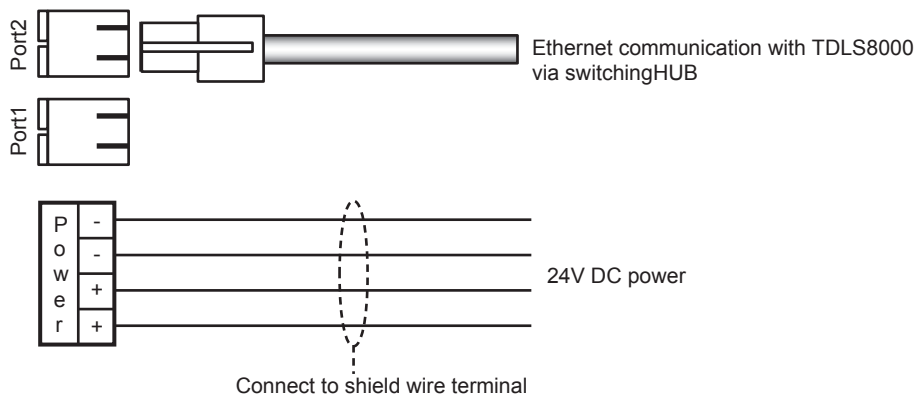


● Local HMI configuration



- Connection cable between TDLS8000 and YH8000 must be use special cable which can be specified option code "C."
- Maximum cable length between TDLS8000 and YH8000 is 3m.
- Maximum cable length between YH8000 and DCS is 100m.

● Remote HMI configuration



- Maximum cable length between YH8000 and Switching HUB is 100m.