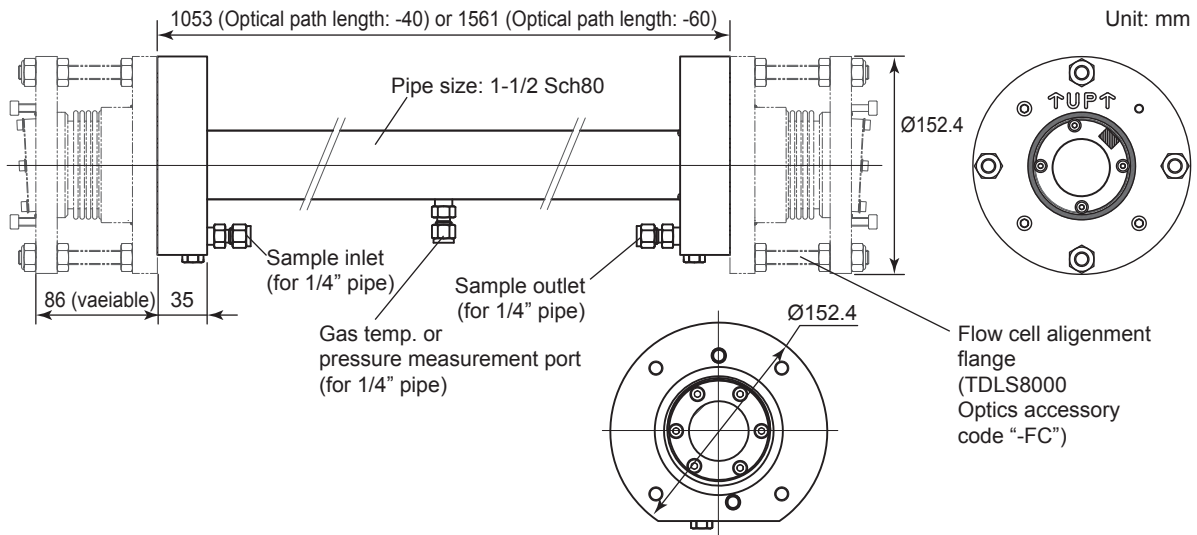


Drawings

YC8000 Flow Cell for TDLS8000

TDLS8000 have to be assigned the dedicated Alignment flange (Optic Accessory: -FC).
When piping is Rc1/4, a conversion adopter will be attached on the Alignment flange.



Weight:	Optical Path Length	□ -40	□ -60
	Material	1016 mm (40 inch)	1524 mm (60 inch)
□ -MN (Monel 400)	Approx. 15 kg	Approx. 18 kg	
□ -SS (316/316L SS)	Approx. 14 kg	Approx. 17 kg	

Weight of the Flow cell alignment flange (TDLS8000 Optics accessory code "-FC"): Approx. 5 kg/pc

Unless otherwise specified, differences in the dimensions are specified as: General tolerance = \pm (Criteria of tolerance class IT18 in JIS B0401-1998)/2.