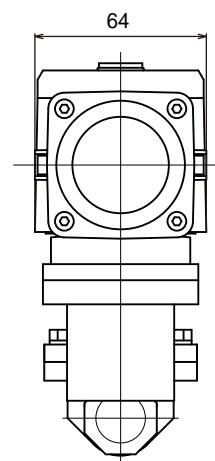
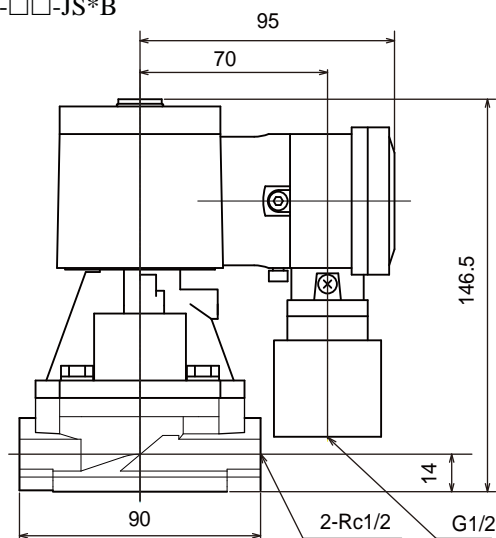


Drawings

Model PH8MVF FLAMEPROOF SOLENOID VALVE FOR JET & BRUSH CLEANING

Unit : mm

□ PH8MVF-□-□□□-□□-JS*B



Weight : Approx. 1.9 kg

Installation Suggestions for Solenoid Valve

1. Take precautions against substitution or backward-flow of solution to solenoid valve. For example, install a check-valve in the line from the solenoid valve to the holder, or install the solenoid valve higher than the holder, etc.
2. Confirm that the vapour from the solution do not corrode the valve wetted material (Bronze and Nitril rubber).

Unless otherwise specified, differences in the dimensions are specified as: General tolerance = \pm (Criteria of tolerance class it18 in JIS B0401) / 2.