

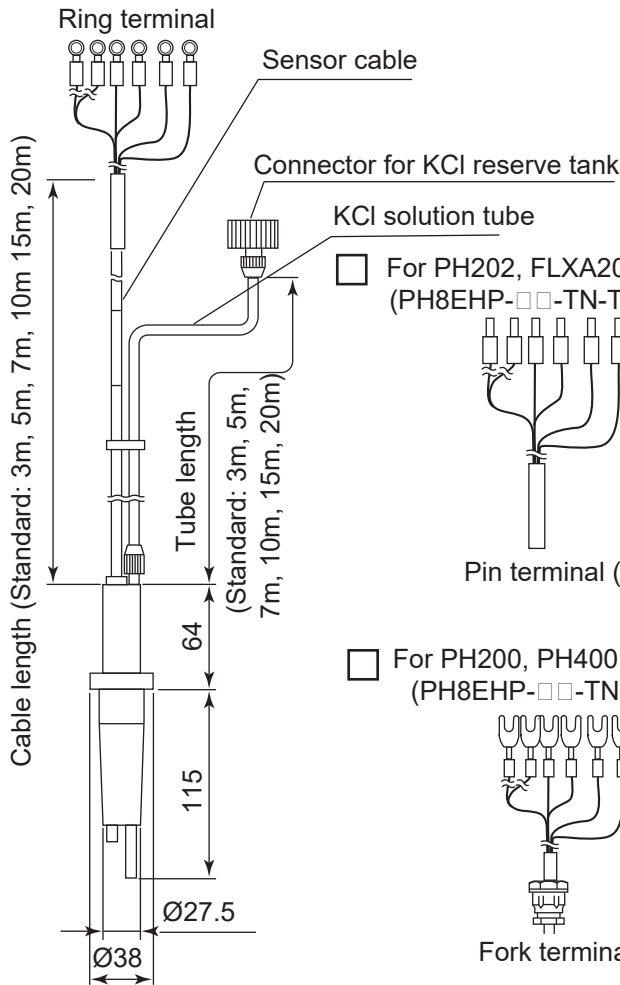
# Drawings

## Model PH8EHP-□□-TN-TT□-N-□\*A pH Sensor for Pure Water

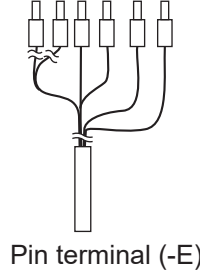
For FLXA202, FLXA21  
(PH8EHP-□□-TN-TT□-N-F\*A)

Unit: mm

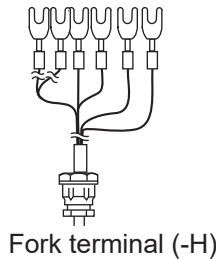
For FLXA402, PH450, PH202/TB  
(PH8EHP-□□-TN-TT□-N-G\*A)



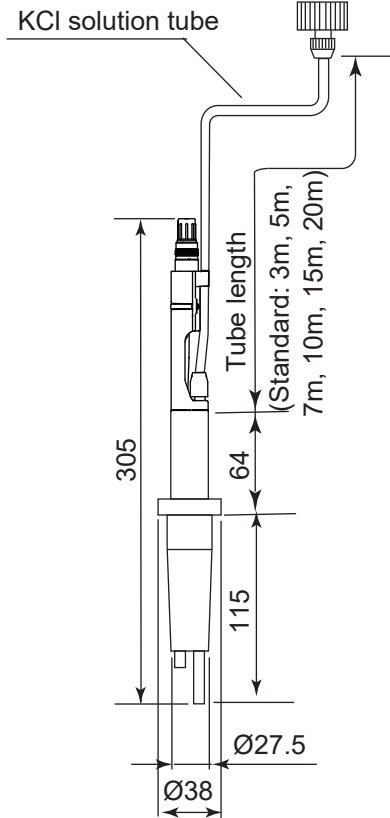
For PH202, FLXA202, FLXA21  
(PH8EHP-□□-TN-TT□-N-E\*A)



For PH200, PH400  
(PH8EHP-□□-TN-TT□-N-H\*A)



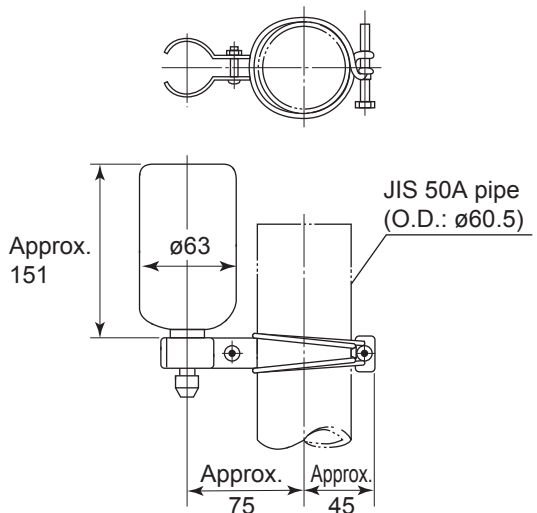
Variopin connector  
(PH8EHP-V□-TN-T□□-N-V\*A)



Unless otherwise specified, differences in the dimensions are specified as: General tolerance = ± (Criteria of tolerance class it18 in JIS BO401-1986)/ 2.

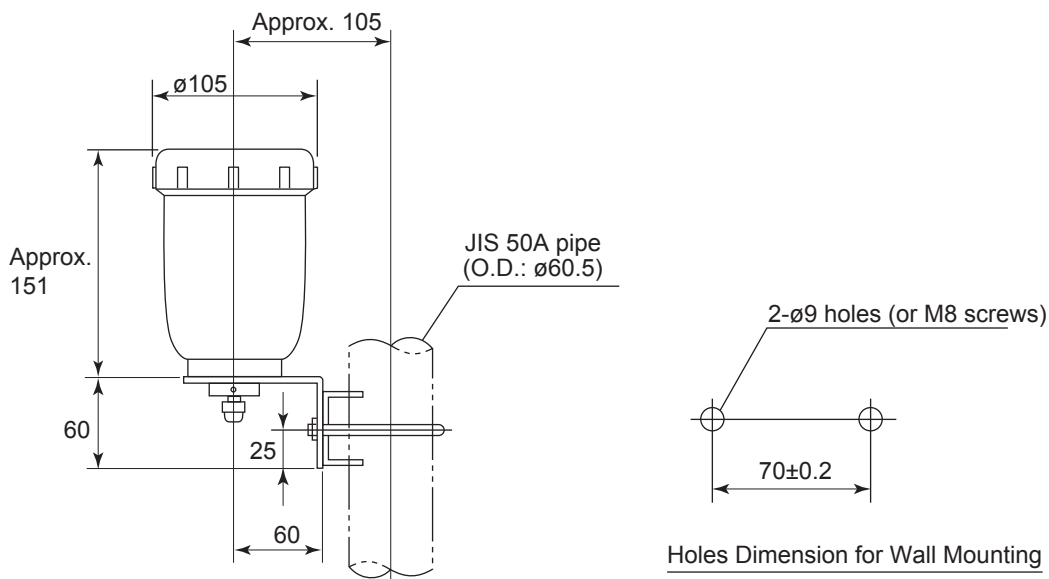
Unit : mm

- General Purpose KCl Reserve Tank  
(PH8EHP - □□ - TN - TT1 - N - □ \*A)



Weight : Approx. 0.3 kg

- General Purpose KCl Reserve Tank (500 mL)  
(PH8EHP - □□ - TN - TT3 - N - □ \*A)



Weight : Approx. 0.3 kg

Unless otherwise specified, differences in the dimensions are specified as: General tolerance =  $\pm$  (Criteria of tolerance class it18 in JIS B0401-1986) / 2.