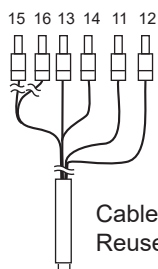


# Drawings

## Model PH8ECP KCl Filling Type pH Sensor (for electrolysis plant)

Unit: mm

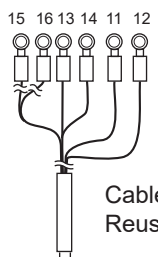
- For PH202, FLXA202/FLXA21  
(PH8ECP - □□ - PT - TT□\*A/E)



Cable gland is not included.  
Reuse existing gland, or replace.

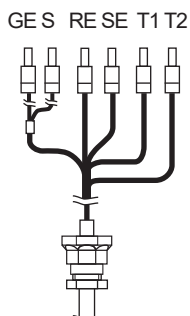
- For FLXA402, PH450G, PH202/TB  
(PH8ECP - □□ - PT - TT□\*A/G)

- For FLXA202/FLXA21  
(PH8ECP - □□ - PT - TT□\*A/FL)

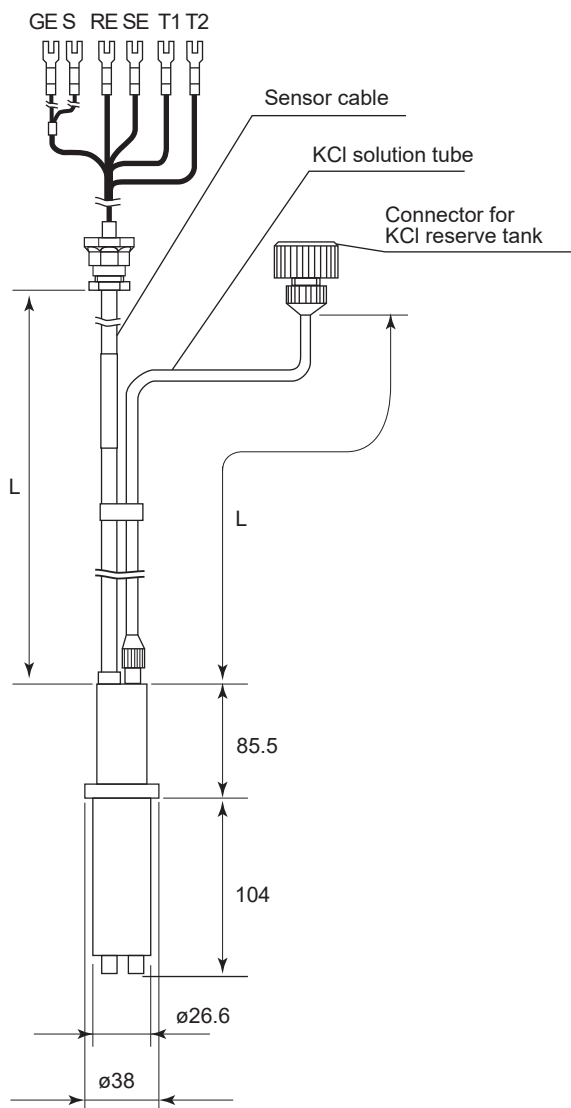


Cable gland is not included.  
Reuse existing gland, or replace.

- For TM20BG  
(PH8ECP - □□ - PT - TT□\*A)



- For PH200/PH400  
(PH8ECP - □□ - PT - TT□\*A/FK)

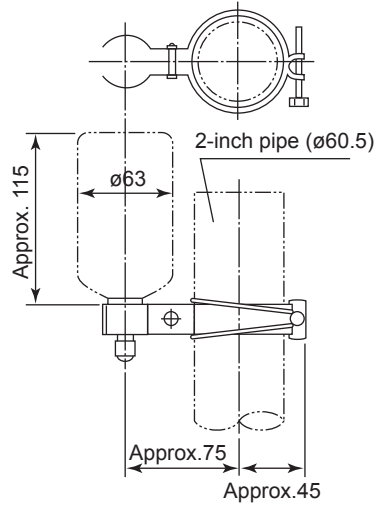


Model and code	L	Weight (kg)
PH8ECP - 03 - PT - TT□*A	Approx. 3000	Approx. 0.4
PH8ECP - 05 - PT - TT□*A	Approx. 5000	Approx. 0.6

Unless otherwise specified, differences in the dimensions are specified as: General tolerance = ± (Criteria of tolerance class IT18 in JIS B0401-1986) / 2.

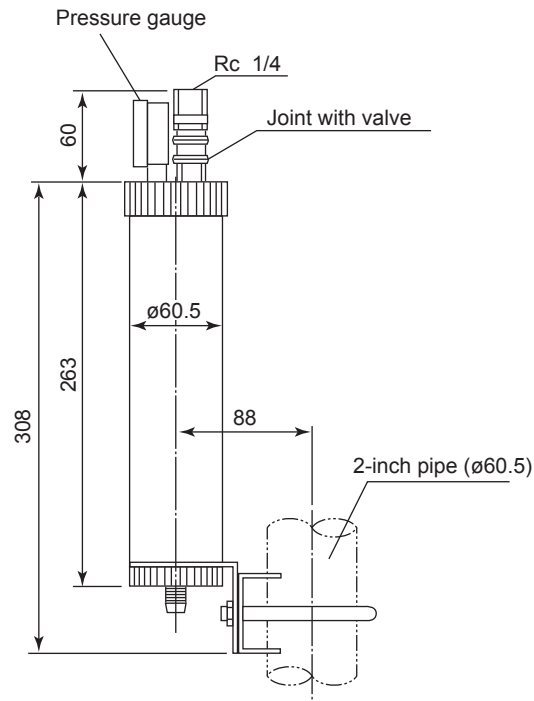
Unit: mm

- General Purpose KCl Reserve Tank  
(When PH8ECP - □□ - PT - TT1)



Weight : Approx. 0.3 kg

- Midium Pressure KCl Reserve Tank  
(When PH8ECP - □□ - PT - TT2)



Weight : Approx. 1 kg

Unless otherwise specified, differences in the dimensions are specified as: General tolerance =  $\pm$  (Criteria of tolerance class IT18 in JIS B0401-1986) / 2.

SD 12B07J03-01E 2/2

1st Edition : May. 1991 (YK)  
11th Edition : Dec. 2018 (YK)