

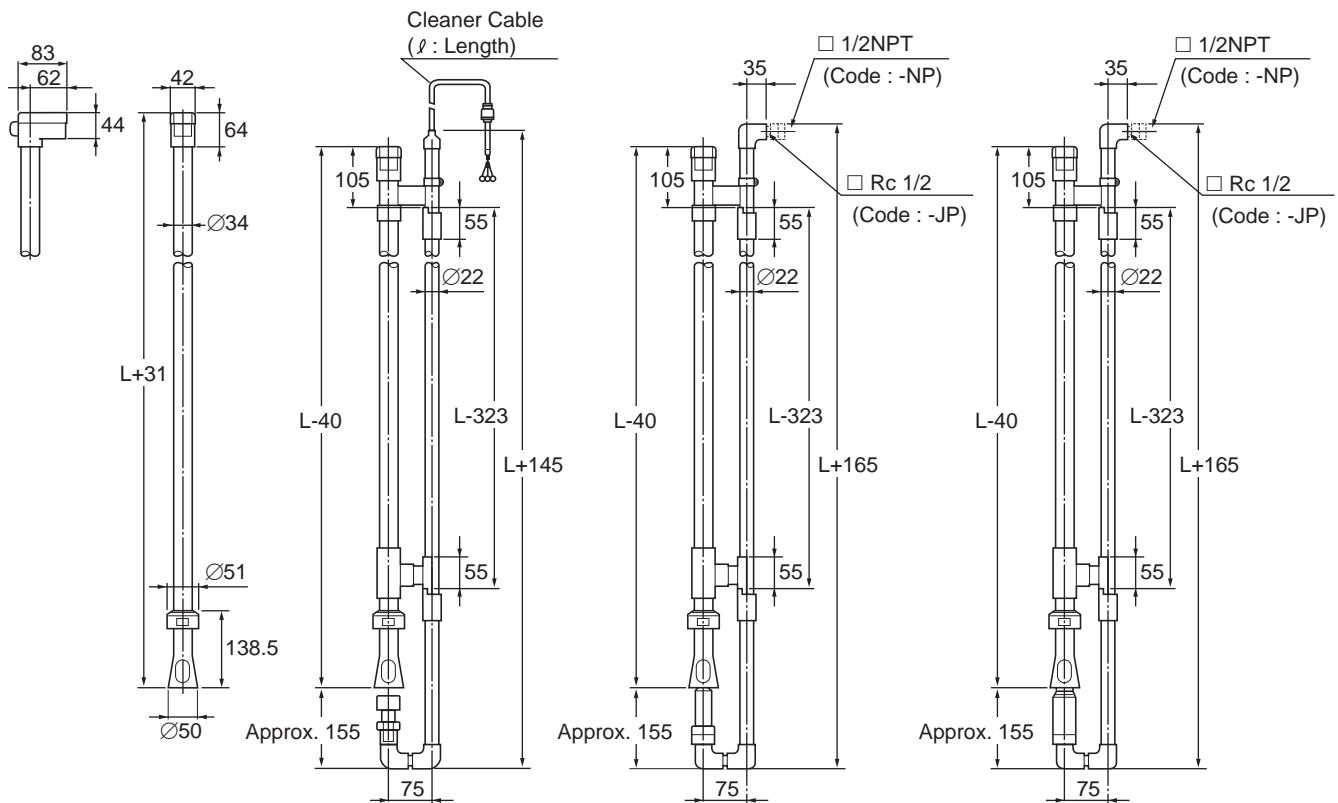
Unit : mm

< Without cleaner >

< With ultrasonic cleaner >

< With jet cleaner >

< With brush cleaner >



	Specification of Holder (Model and Code)	Length of Cable(ℓ) (Code : C□)	Weight				
			Nominal Length of Holder (L)				
			□ 1000mm [Code : -10]	□ 1500mm [Code : -15]	□ 2000mm [Code : -20]	□ 2500mm [Code : -25]	□ 3000mm [Code : -30]
□	Without cleaner PH8HS-PP-□□-T-NN-NN		Approx. 0.5 kg	Approx. 0.65 kg	Approx. 0.8 kg	Approx. 1.0 kg	Approx. 1.1 kg
□	With ultrasonic cleaner PH8HS-PP-□□-T-S3-C□ PH8HS-PP-□□-T-TN-C□ PH8HS-PP-□□-T-HC-C□	□ 3m (C3) □ 5m (C5) □ 7m (C6) □ 10m (C7) □ 15m (C8) □ 20m (C9)	Approx. 1.7 kg Approx. 1.8 kg Approx. 1.9 kg Approx. 2.1 kg Approx. 2.5 kg Approx. 2.9 kg	Approx. 2.2 kg Approx. 2.3 kg Approx. 2.4 kg Approx. 2.6 kg Approx. 3.0 kg Approx. 3.4 kg	Approx. 2.7 kg Approx. 2.8 kg Approx. 2.9 kg Approx. 3.1 kg Approx. 3.5 kg Approx. 3.9 kg	Approx. 3.2 kg Approx. 3.3 kg Approx. 3.4 kg Approx. 3.6 kg Approx. 4.0 kg Approx. 4.4 kg	Approx. 3.7 kg Approx. 3.8 kg Approx. 3.9 kg Approx. 4.1 kg Approx. 4.5 kg Approx. 4.9 kg
□	With jet cleaner PH8HS-PP-□□-T-JT-□P		Approx. 1.6 kg	Approx. 2.1 kg	Approx. 2.6 kg	Approx. 3.1 kg	Approx. 3.6 kg
□	With brush cleaner PH8HS-PP-□□-T-BR-□P		Approx. 1.6 kg	Approx. 2.1 kg	Approx. 2.6 kg	Approx. 3.1 kg	Approx. 3.6 kg

F01.eps

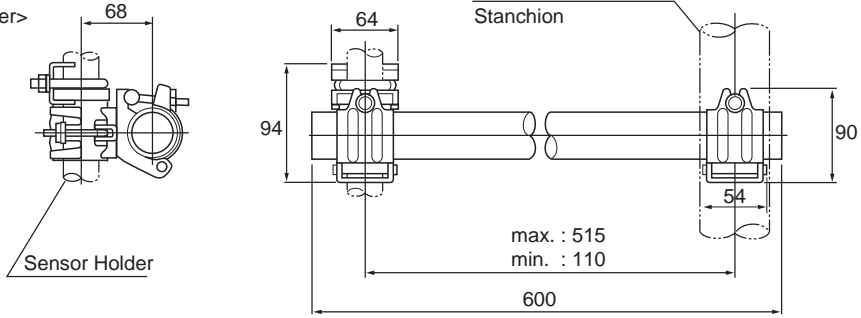
Unless otherwise specified, differences in the dimensions are specified as: General tolerance = ± (Criteria of tolerance class IT18 in JIS B0401)/2.

Mounting Hardware (Weight : Approx. 1 kg)

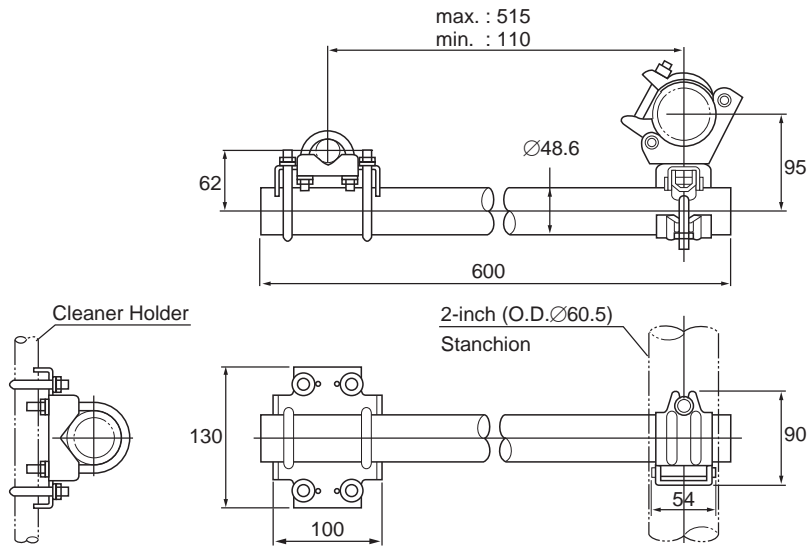
- / MS1-1 set
- / MS2-2 sets

Unit : mm

<For holder without cleaner>



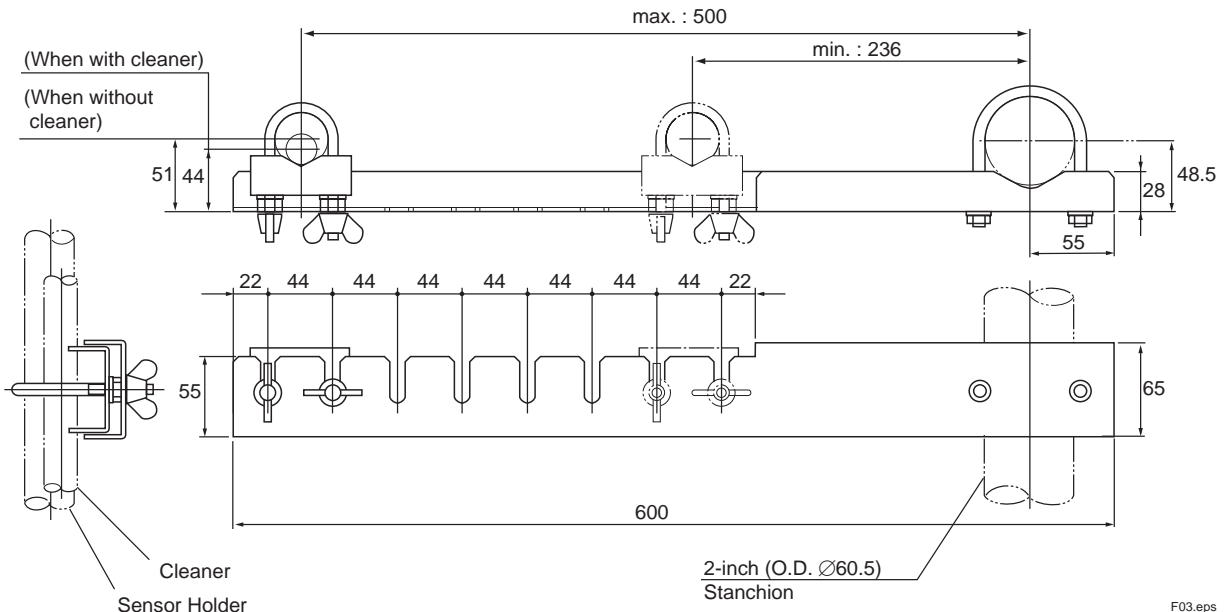
< For holder with cleaner >



F02.eps

Stainless steel mounting hardware (Weigh : Approx. 1 kg)

- / MS3-1 set
- / MS4-2 sets



F03.eps

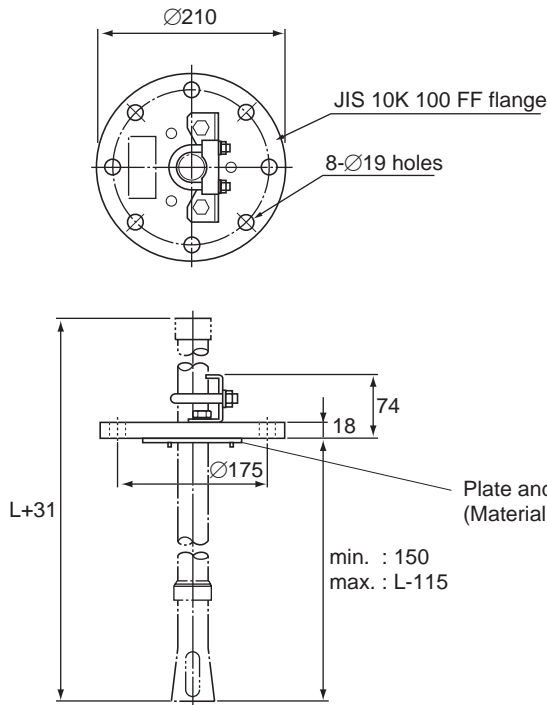
Unless otherwise specified, differences in the dimensions are specified as: General tolerance = ± (Criteria of tolerance class IT18 in JIS B0401)/2.

Unit : mm

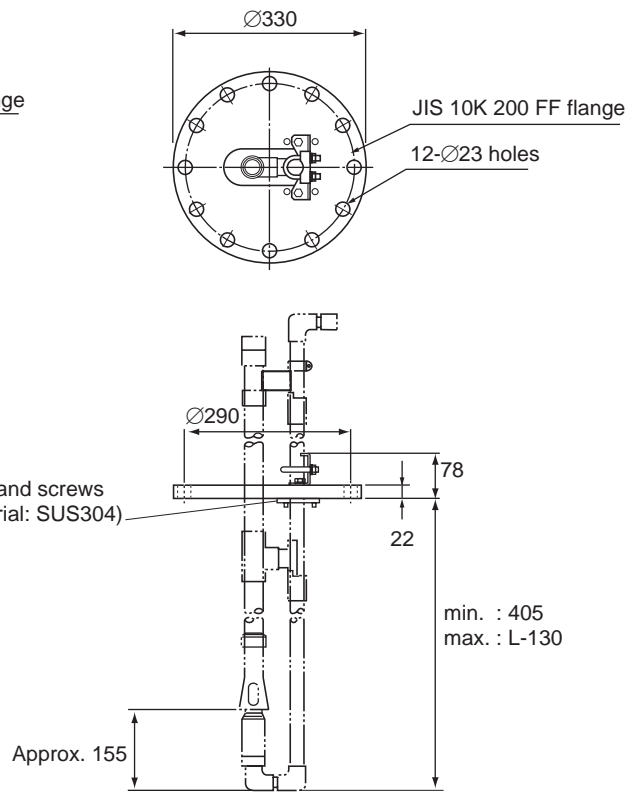
/ F□ – Flange Mounting Hardware

□ / F1 : For holder without cleaner
- Material : Polypropylene resin -

□ / F2 : For holder with cleaner
- Material : Polypropylene resin -



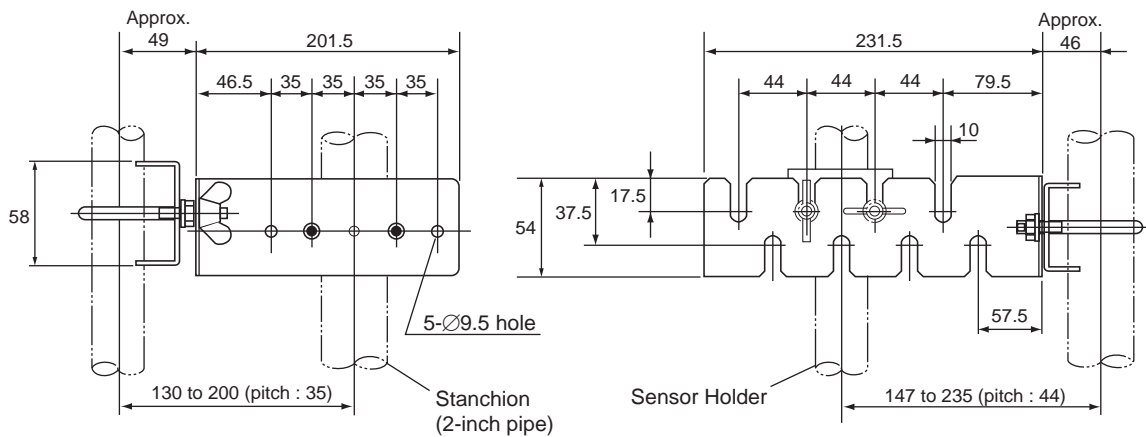
Weight : Approx. 1 kg



Weight : Approx. 1.5 kg

F04.EPS

□ / MS9 – Bracket (Used calibration)



Weight : Approx. 2.5 kg

F05.eps

Unless otherwise specified, differences in the dimensions are specified as: General tolerance = ± (Criteria of tolerance class IT18 in JIS B0401)/2.