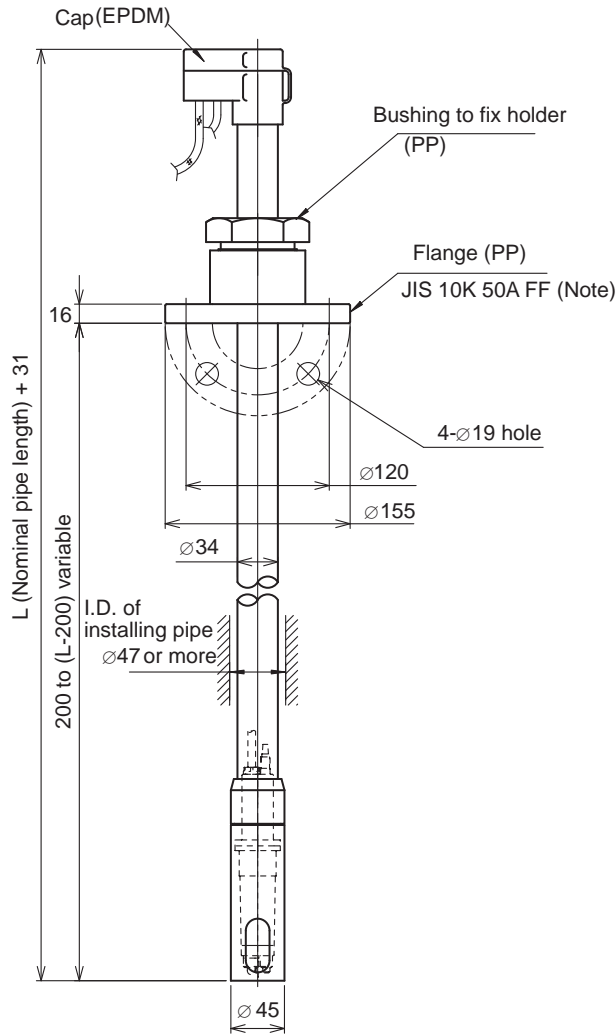


Movable Sealing Flange Mounting Type Submersion Holder (Material: PP)

Unit : mm

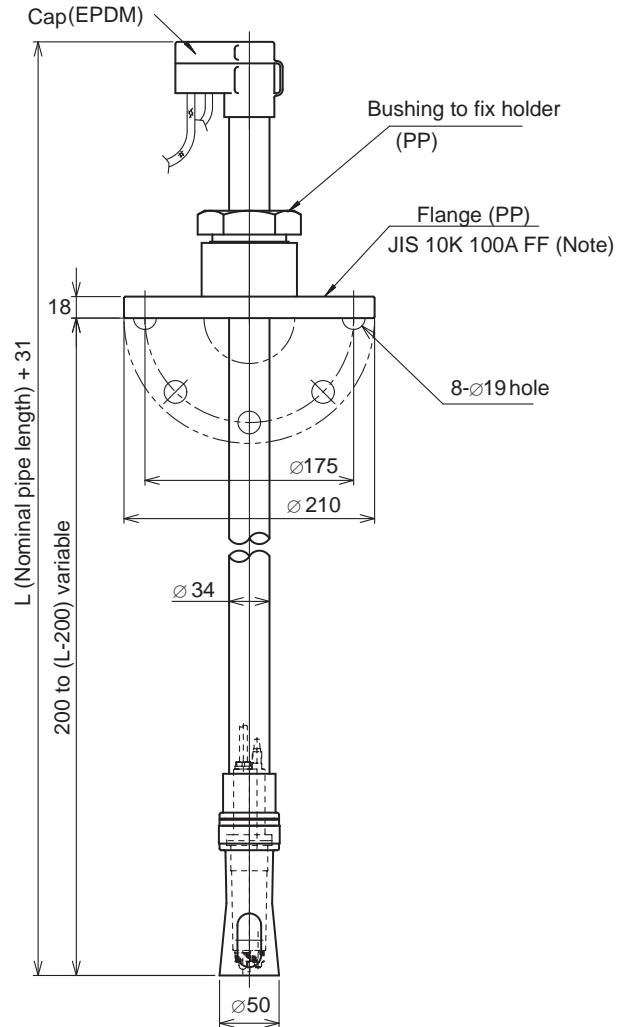
PH8HS-PP-□□-R-NN-NN*A/F3□□P – without Cleaning

□ PH8HS-PP-□□-R-NN-NN*A/F305P



Weight of flange: approx. 0.3 kg

□ PH8HS-PP-□□-R-NN-NN*A/F310P



Weight of flange: approx. 0.6 kg

Note: Only mating dimensions are according to flange standard.

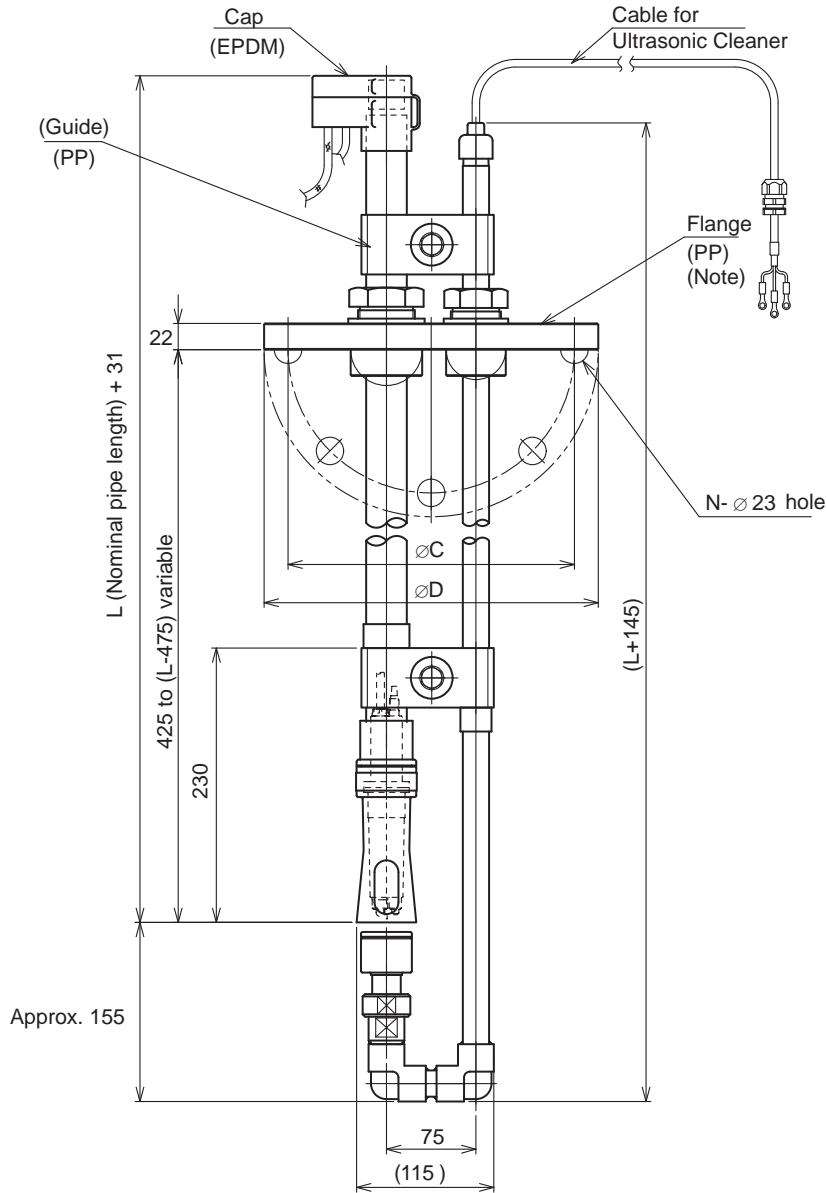
Weight (without flange)				
Nominal Length (L)				
□ 1000mm [Code : -10]	□ 1500mm [Code : -15]	□ 2000mm [Code : -20]	□ 2500mm [Code : -25]	□ 3000mm [Code : -30]
Approx.0.5 kg	Approx.0.65 kg	Approx.0.8 kg	Approx.1.0 kg	Approx.1.1 kg

Unless otherwise specified, differences in the dimensions are specified as: General tolerance = ± (Criteria of tolerance class IT18 in JIS B0401)/2.

PH8HS-PP-□□-R-□□-C□*A/F4□□P – with Ultrasonic Cleaning

Unit : mm

Model and codes	D	C	N	Flange rating	Flange weight
PH8HS-PP-□□-R-□□-C□*A/F415P	280	240	8	JIS 10K 150A FF	Approx. 1.3 kg
PH8HS-PP-□□-R-□□-C□*A/F420P	330	290	12	JIS 10K 200A FF	Approx. 1.8 kg



Note: Only mating dimensions are according to flange standard.

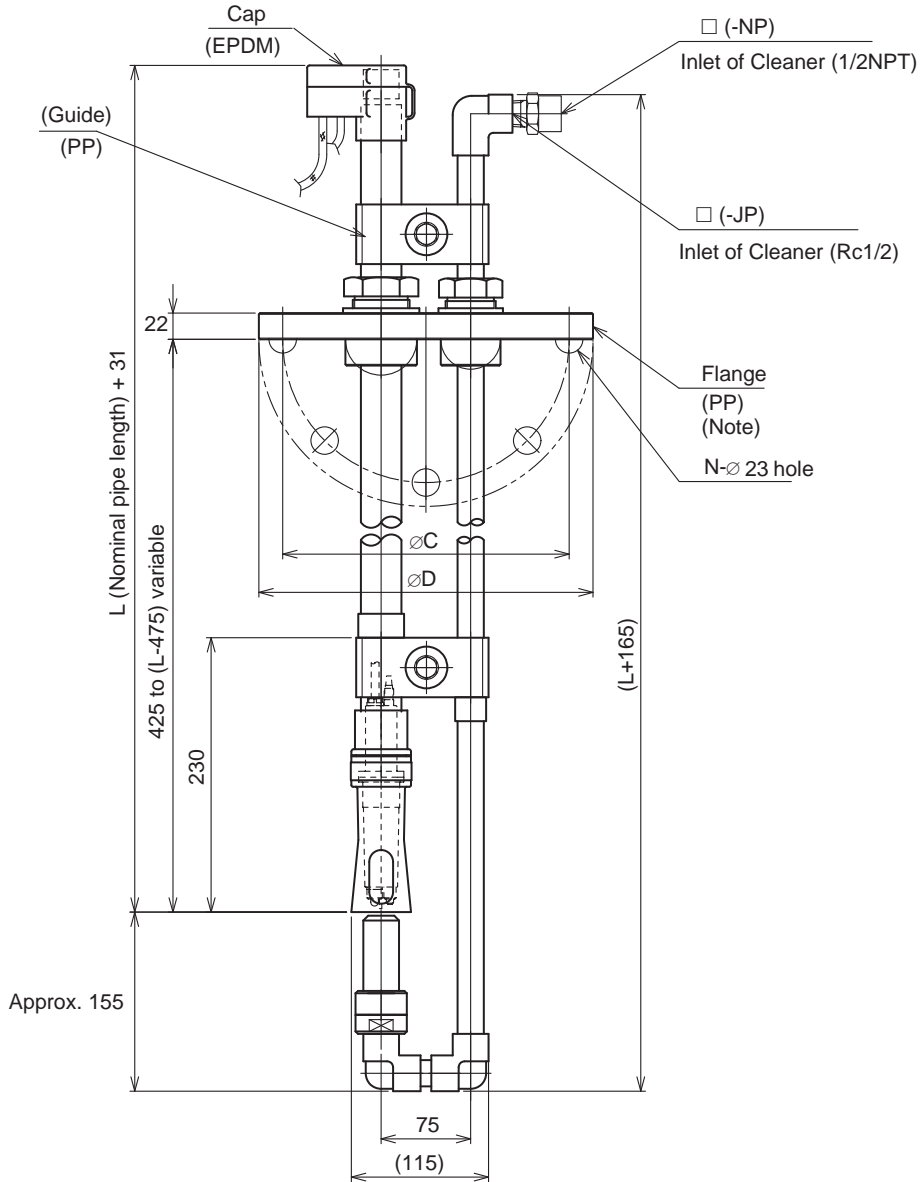
Weight (without flange)				
Nominal Length (L)				
□ 1000mm	□ 1500mm	□ 2000mm	□ 2500mm	□ 3000mm
[Code : -10]	[Code : -15]	[Code : -20]	[Code : -25]	[Code : -30]
Approx.0.7 kg	Approx.0.9 kg	Approx.1.1 kg	Approx.1.3 kg	Approx.1.5 kg

Unless otherwise specified, differences in the dimensions are specified as: General tolerance = ± (Criteria of tolerance class IT18 in JIS B0401)/2.

PH8HS-PP-□□-R-JT-□□*A/F4□□P – with Jet Cleaning

Unit : mm

Model and codes	D	C	N	Flange rating	Flange weight
PH8HS-PP-□□-R-JT-□□*A/F415P	280	240	8	JIS 10K 150A FF	Approx. 1.3 kg
PH8HS-PP-□□-R-JT-□□*A/F420P	330	290	12	JIS 10K 200A FF	Approx. 1.8 kg



Note: Only mating dimensions are according to flange standard.

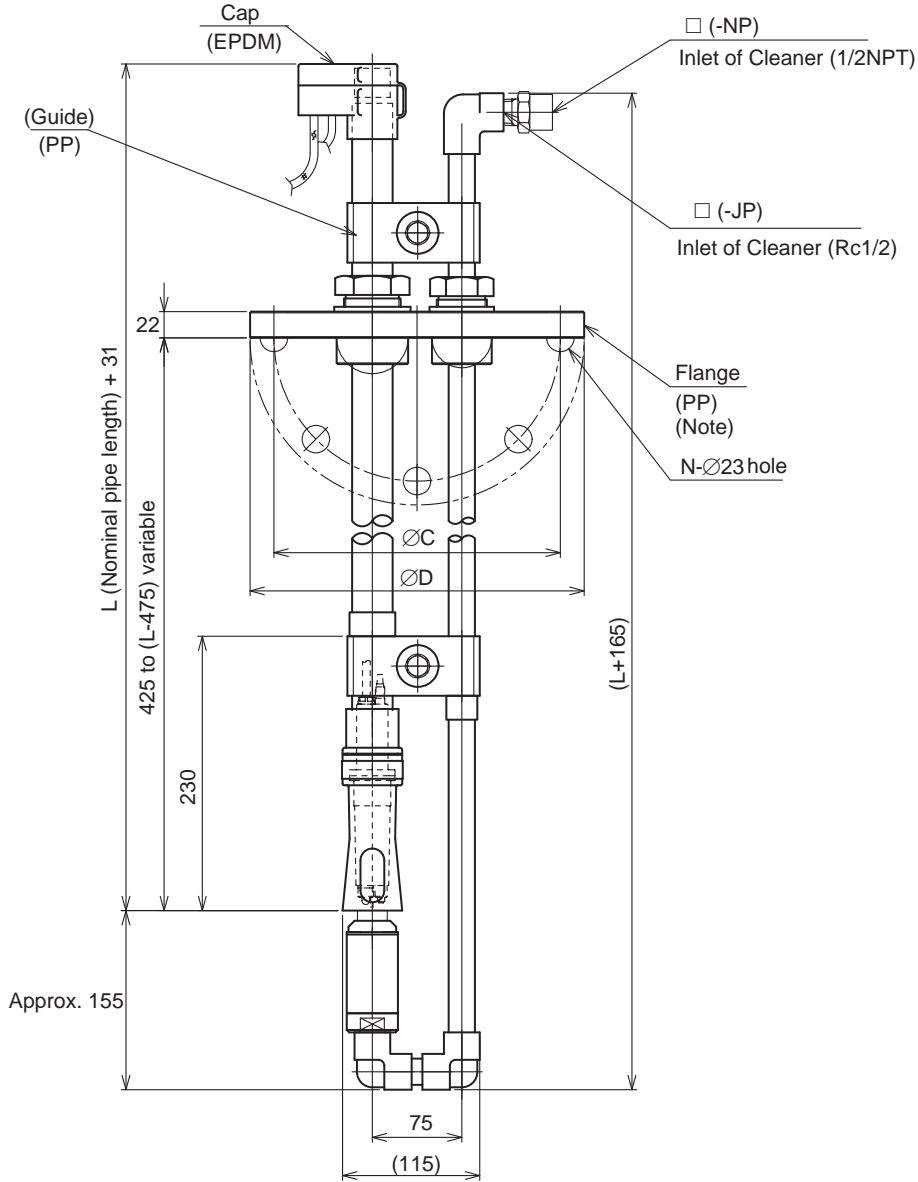
Weight (without flange)				
Nominal Length (L)				
□ 1000mm [Code : -10]	□ 1500mm [Code : -15]	□ 2000mm [Code : -20]	□ 2500mm [Code : -25]	□ 3000mm [Code : -30]
Approx.0.7 kg	Approx.0.9 kg	Approx.1.1 kg	Approx.1.3 kg	Approx.1.5 kg

Unless otherwise specified, differences in the dimensions are specified as: General tolerance = ± (Criteria of tolerance class IT18 in JIS B0401)/2.

PH8HS-PP-□□-R-BR-□□*A/F4□□P – with Brush Cleaning

Unit : mm

Model and codes	D	C	N	Flange rating	Flange weight
PH8HS-PP-□□-R-BR-□□*A/F415P	280	240	8	JIS 10K 150A FF	Approx. 1.3 kg
PH8HS-PP-□□-R-BR-□□*A/F420P	330	290	12	JIS 10K 200A FF	Approx. 1.8 kg



Note: Only mating dimensions are according to flange standard.

Weight (without flange)				
Nominal Length (L)				
□ 1000mm	□ 1500mm	□ 2000mm	□ 2500mm	□ 3000mm
[Code : -10]	[Code : -15]	[Code : -20]	[Code : -25]	[Code : -30]
Approx.0.7 kg	Approx.0.9 kg	Approx.1.1 kg	Approx.1.3 kg	Approx.1.5 kg

Unless otherwise specified, differences in the dimensions are specified as: General tolerance = ± (Criteria of tolerance class IT18 in JIS B0401)/2.