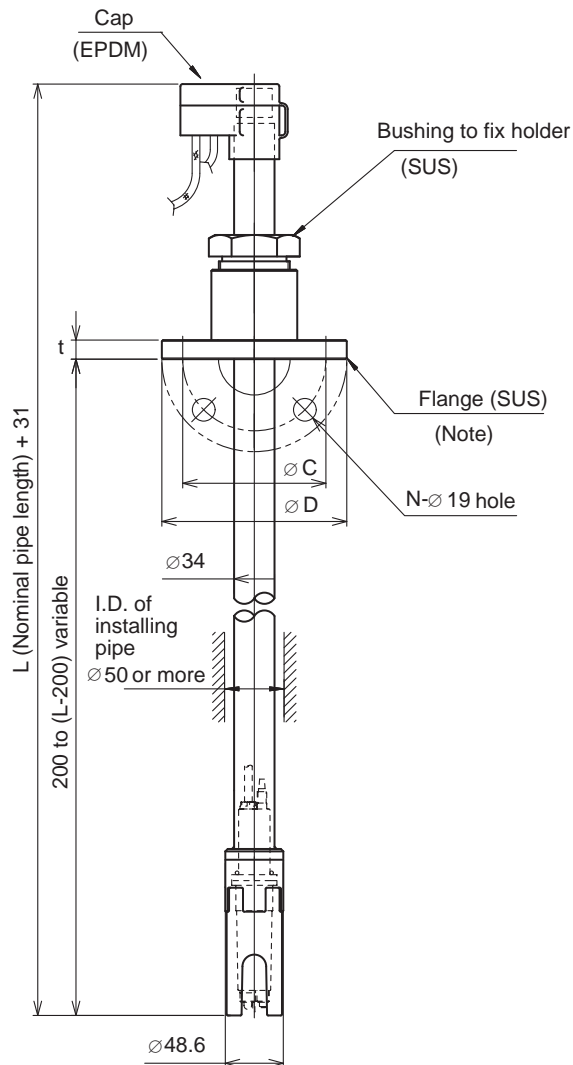


Movable Sealing Flange Mounting Type Submersion Holder (Material: SUS)

PH8HS-S3-□□-R-NN-NN*A/F3□□S – without Cleaning

Unit : mm

Model and codes	D	C	N	t	Flange rating	Flange weight
PH8HS-S3-□□-R-NN-NN*A/F305S	155	120	4	16	JIS 10K 50A FF	Approx. 2.9 kg
PH8HS-S3-□□-R-NN-NN*A/F310S	210	175	8	18	JIS 10K 100A FF	Approx. 5.4 kg



Note: Only mating dimensions are according to flange standard.

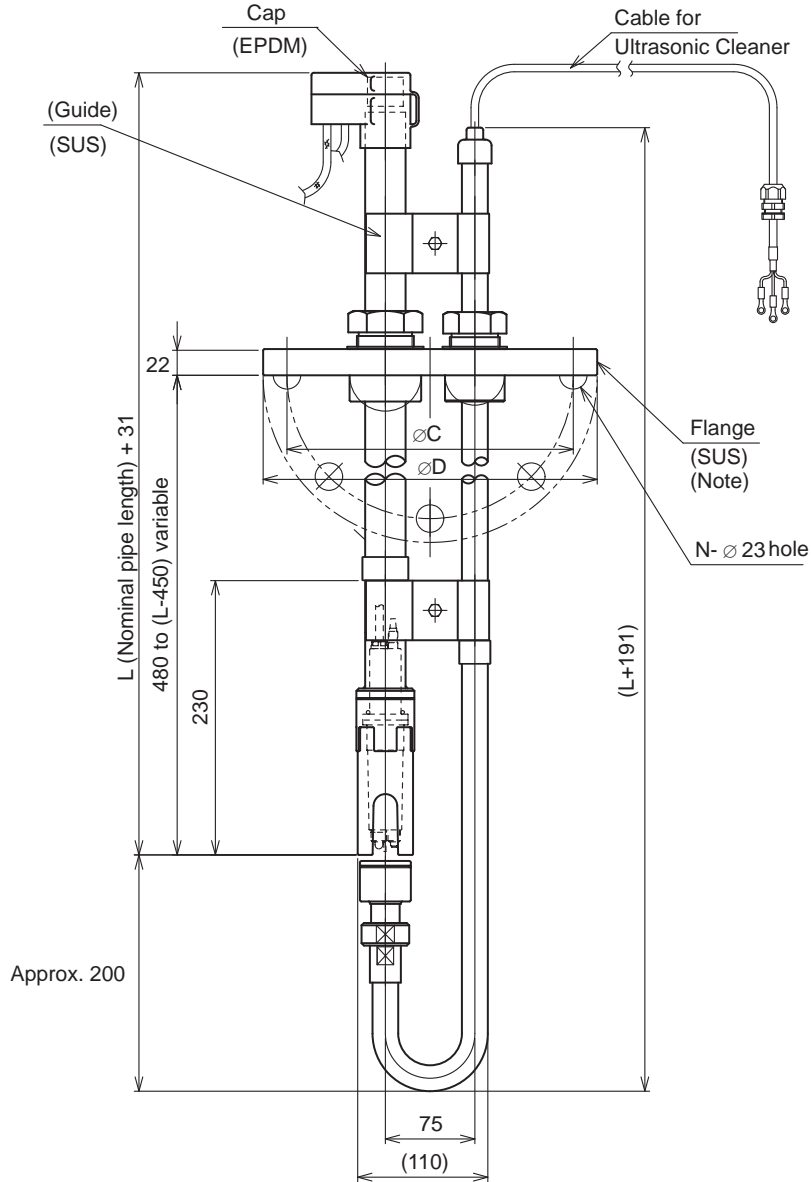
Weight (without flange)				
Nominal Length (L)				
□ 1000mm [Code : -10]	□ 1500mm [Code : -15]	□ 2000mm [Code : -20]	□ 2500mm [Code : -25]	□ 3000mm [Code : -30]
Approx.1.5 kg	Approx.2.3 kg	Approx.3.1 kg	Approx.3.9 kg	Approx.4.7 kg

Unless otherwise specified, differences in the dimensions are specified as: General tolerance = ± (Criteria of tolerance class IT18 in JIS B0401)/2.

PH8HS-S3-□□-R-□□-C□*A/F4□□S – with Ultrasonic Cleaning

Unit : mm

Model and codes	D	C	N	Flange rating	Flange weight
PH8HS-S3-□□-R-□□-C□*A/F415S	280	240	8	JIS 10K 150A FF	Approx. 11.5 kg
PH8HS-S3-□□-R-□□-C□*A/F420S	330	290	12	JIS 10K 200A FF	Approx. 15.6 kg



Note: Only mating dimensions are according to flange standard.

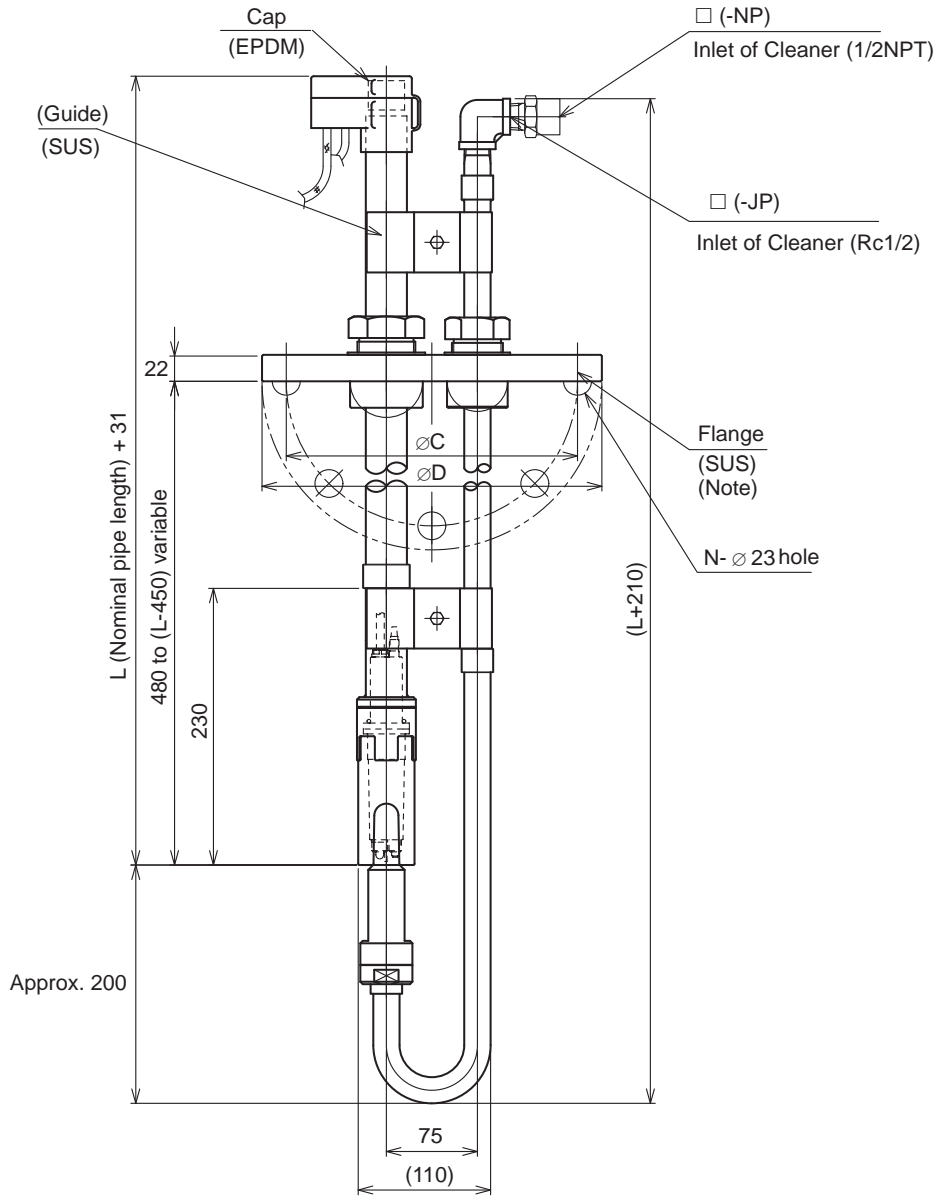
Weight (without flange)				
Nominal Length (L)				
□ 1000mm	□ 1500mm	□ 2000mm	□ 2500mm	□ 3000mm
[Code : -10]	[Code : -15]	[Code : -20]	[Code : -25]	[Code : -30]
Approx. 2.5 kg	Approx. 3.6 kg	Approx. 4.7 kg	Approx. 5.8 kg	Approx. 6.9 kg

Unless otherwise specified, differences in the dimensions are specified as: General tolerance = ± (Criteria of tolerance class IT18 in JIS B0401)/2.

PH8HS-S3-□□-R-JT-□□*A/F4□□S – with Jet Cleaning

Unit : mm

Model and codes	D	C	N	Flange rating	Flange weight
PH8HS-S3-□□-R-JT-□□*A/F415S	280	240	8	JIS 10K 150A FF	Approx. 11.5 kg
PH8HS-S3-□□-R-JT-□□*A/F420S	330	290	12	JIS 10K 200A FF	Approx. 15.6 kg



Note: Only mating dimensions are according to flange standard.

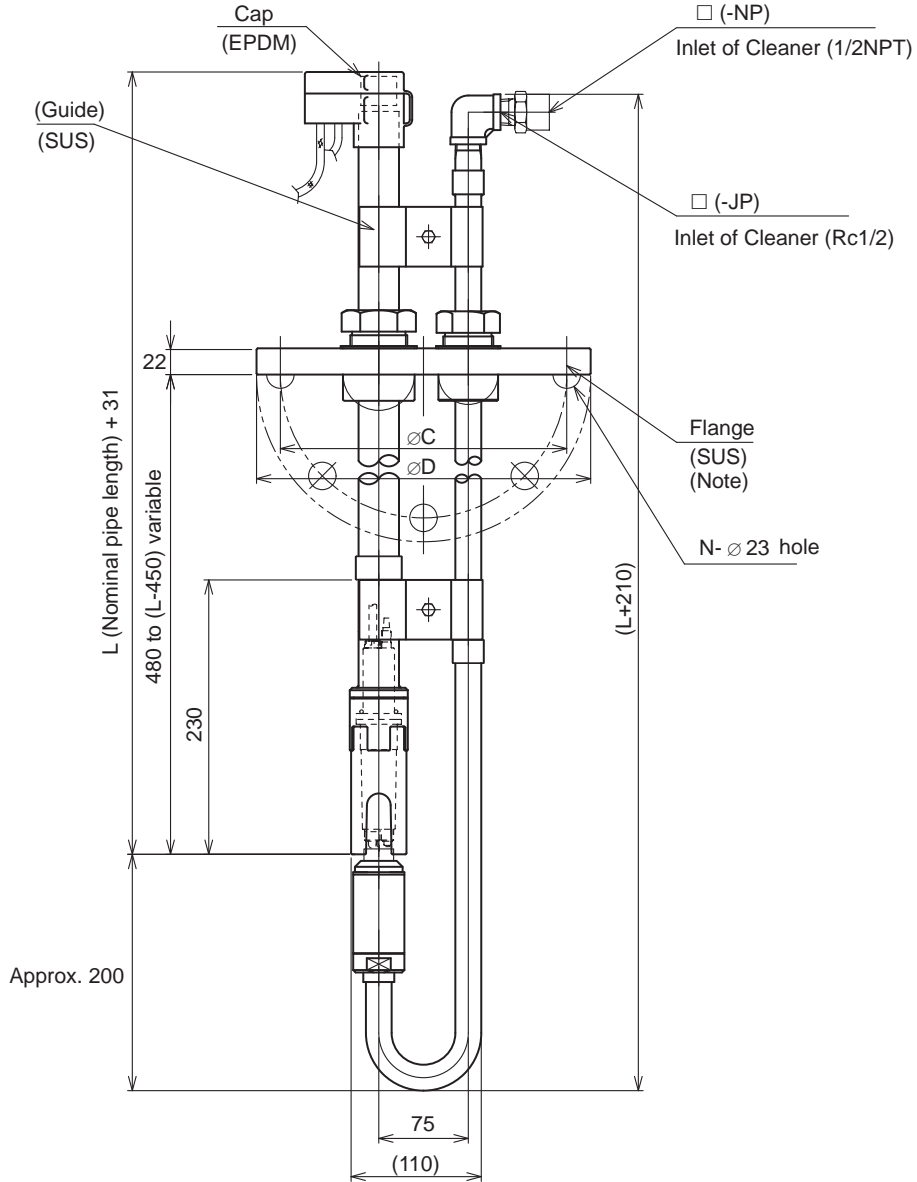
Weight (without flange)				
Nominal Length (L)				
□ 1000mm	□ 1500mm	□ 2000mm	□ 2500mm	□ 3000mm
[Code : -10]	[Code : -15]	[Code : -20]	[Code : -25]	[Code : -30]
Approx. 2.5 kg	Approx. 3.6 kg	Approx. 4.7 kg	Approx. 5.8 kg	Approx. 6.9 kg

Unless otherwise specified, differences in the dimensions are specified as: General tolerance = ± (Criteria of tolerance class IT18 in JIS B0401)/2.

PH8HS-S3-□□-R-BR-□□*A/F4□□S – with Brush Cleaning

Unit : mm

Model and codes	D	C	N	Flange rating	Flange weight
PH8HS-S3-□□-R-BR-□□*A/F415S	280	240	8	JIS 10K 150A FF	Approx. 11.5 kg
PH8HS-S3-□□-R-BR-□□*A/F420S	330	290	12	JIS 10K 200A FF	Approx. 15.6 kg



Note: Only mating dimensions are according to flange standard.

Weight (without flange)				
Nominal Length (L)				
□ 1000mm	□ 1500mm	□ 2000mm	□ 2500mm	□ 3000mm
[Code : -10]	[Code : -15]	[Code : -20]	[Code : -25]	[Code : -30]
Approx. 2.5 kg	Approx. 3.6 kg	Approx. 4.7 kg	Approx. 5.8 kg	Approx. 6.9 kg

Unless otherwise specified, differences in the dimensions are specified as: General tolerance = ± (Criteria of tolerance class IT18 in JIS B0401)/2.