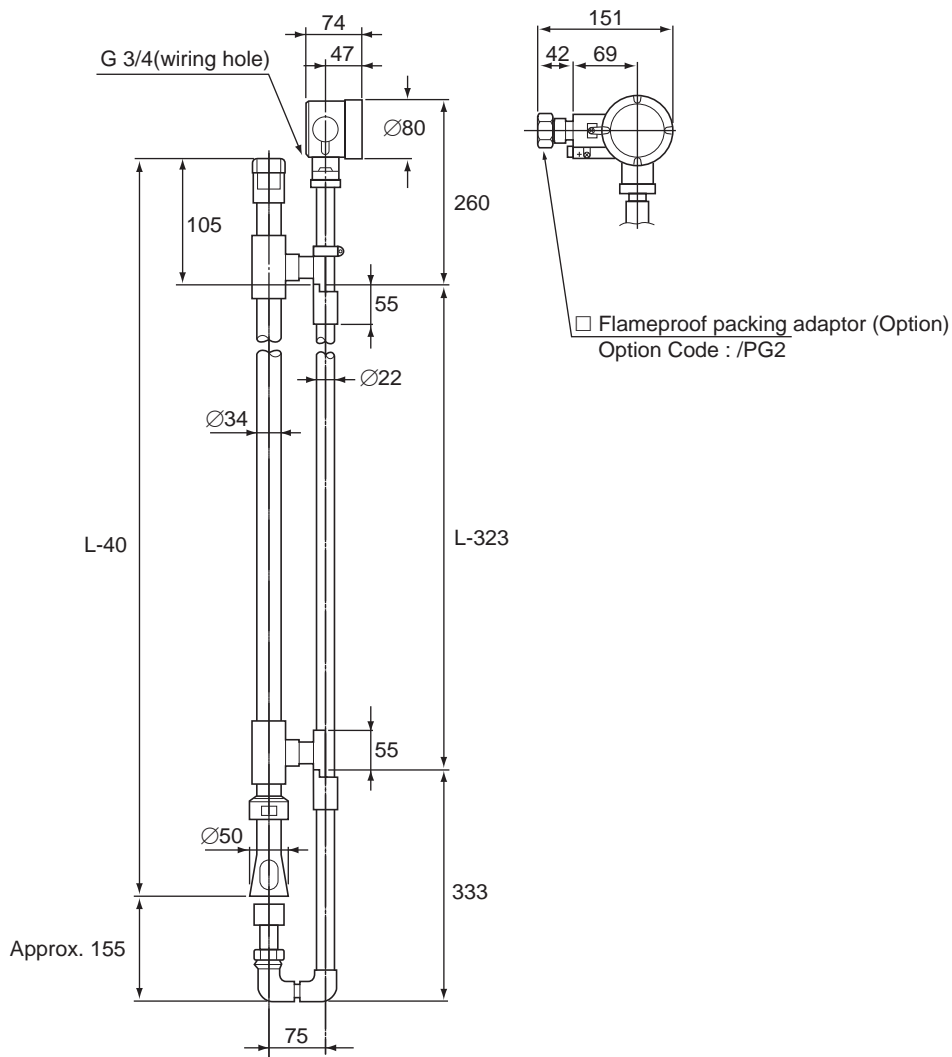


Model PH8HSF-PP Submersion Type Holder (with Frameproof type Ultrasonic Cleaner)

Unit : mm



With flameproof ultrasonic cleaner PH8HSF-PP-□□-T-S3, TN, HC			
Nominal Length (L)	1000mm	1500mm	2000mm
Specification of Holder (Model and Code)	[Code : -10]	[Code : -15]	[Code : -20]
Weight	Approx.2.2 kg	Approx.2.7 kg	Approx.3.2 kg

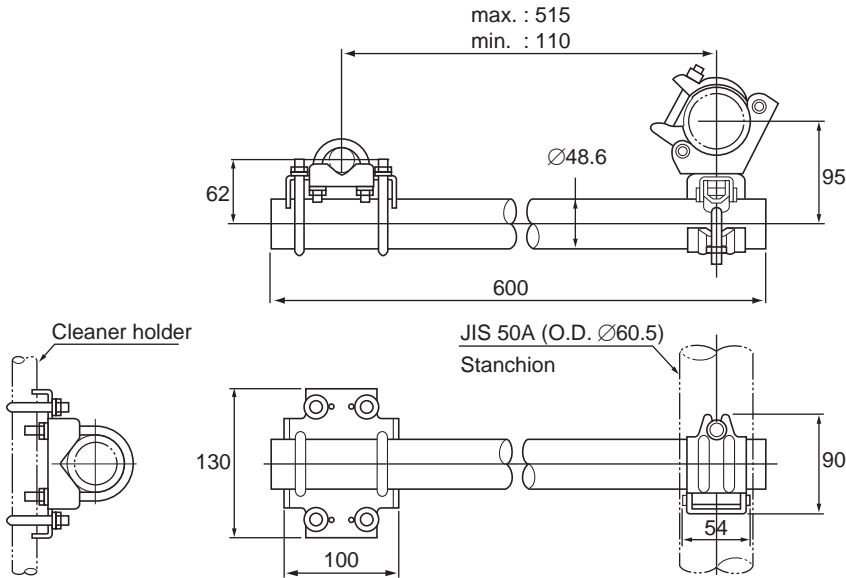
F01.eps

Unless otherwise specified, differences in the dimensions are specified as: General tolerance = ± (Criteria of tolerance class IT18 in JIS B0401)/2.

Unit : mm

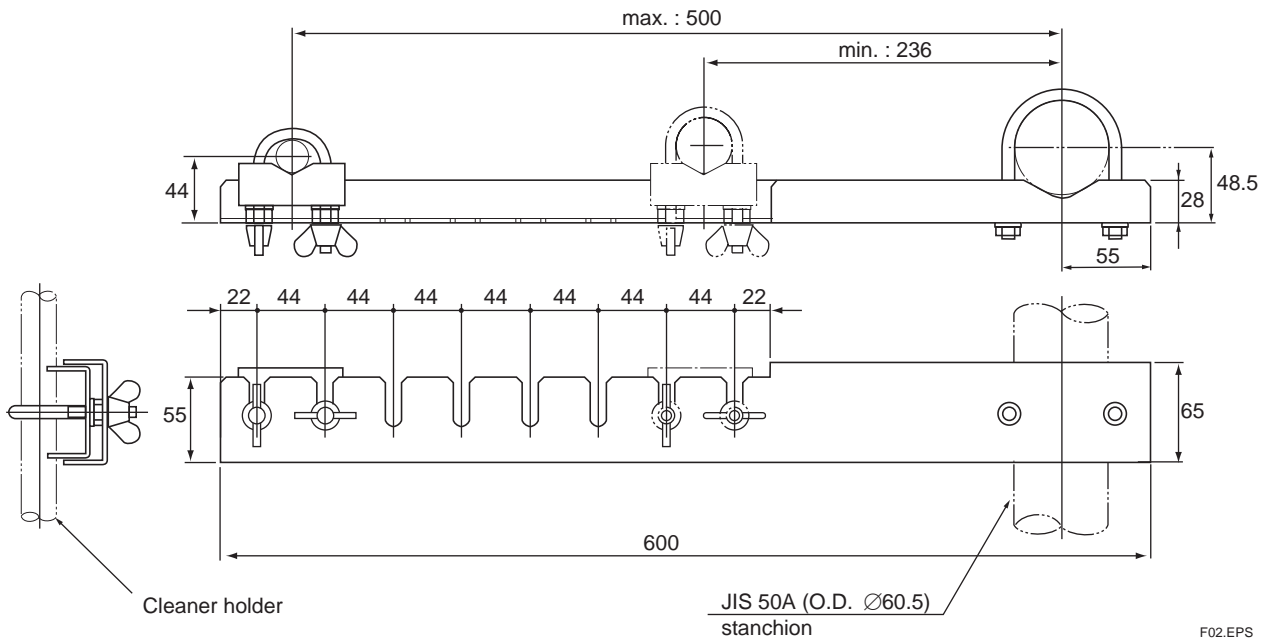
Mounting Hardware (Weight : Approx. 1 kg)

- / MS1 1 set
- / MS2 2 sets



Stainless Steel Mounting Hardware (Weigh : Approx. 1 kg)

- / MS3-1 set
- / MS4-2 sets



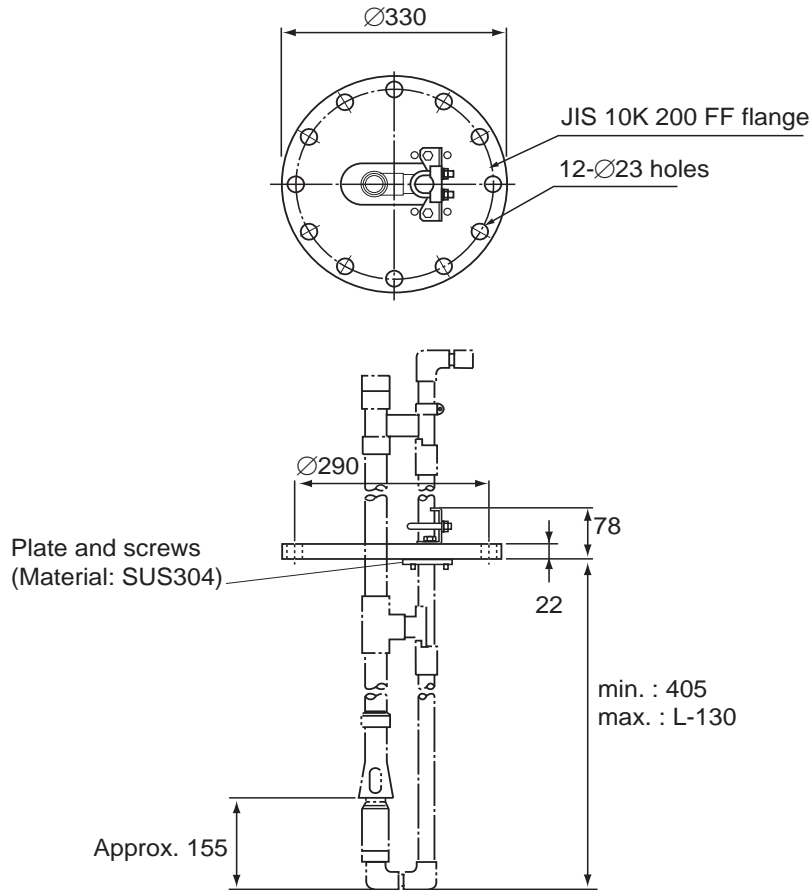
F02.EPS

Unless otherwise specified, differences in the dimensions are specified as: General tolerance = ± (Criteria of tolerance class IT18 in JIS B0401)/2.

Unit : mm

□ / F – Flange Mounting Hardware

For holder with cleaner
 –Material : Polypropylene resin–



F03.EPS

Flange weight : Approx. 1.5 kg

Unless otherwise specified, differences in the dimensions are specified as: General tolerance = \pm (Criteria of tolerance class IT18 in JIS B0401)/2.

SD 12B07M01-21E 3/3

1st Edition : Aug. 1994 (YK)

4th Edition : Nov. 2011 (YK)