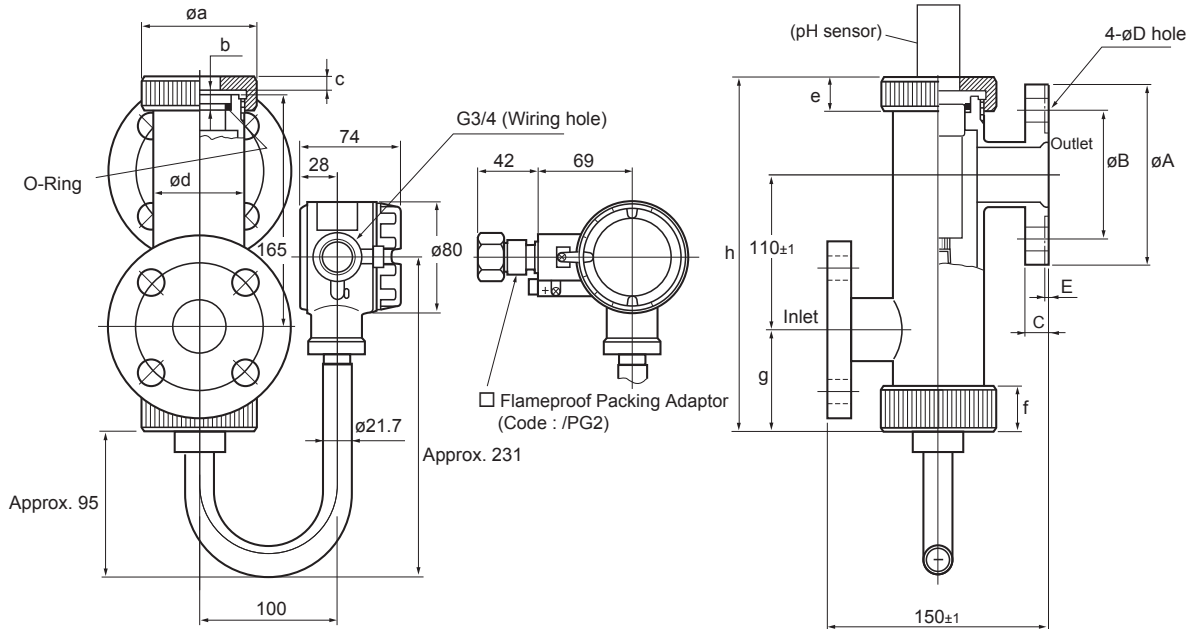


Drawings

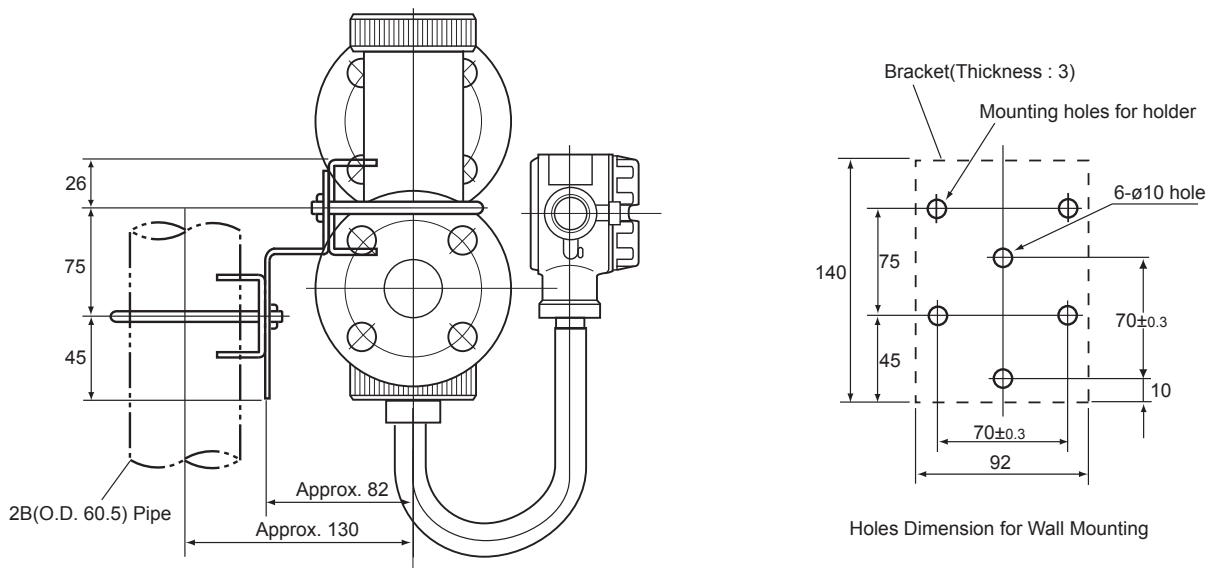
PH8HFF - □□ - □1□ -T - □□ - JS EXA PH Flow - Through Type Holder [Style: S2] (with Frameproof type Ultrasonic Cleaner)

Unit: mm



Model and Code	A	B	C	D	E	a	b	c	d	e	f	g	h	Weight
PH8HFF-PP-J10-T-□□-JS	125	90	14	19	-	80	9	11	60	25	30	70	Approx. 250	Approx. 3.2kg
PH8HFF-S3-J10-T-□□-JS	125	90	14	19	-	70	10	6	60.5	26	26	69	Approx. 245	Approx. 7.6kg
PH8HFF-PP-A15-T-□□-JS	108	79.4	14.2	15.7	-	80	9	11	60	25	30	70	Approx. 250	Approx. 3.2kg
PH8HFF-S3-A15-T-□□-JS	108	79.2	14.2	15.7	2	70	10	6	60.5	26	26	69	Approx. 245	Approx. 7.6kg

□ Mounting Hardware (Option Code : /MF1) Weight : Approx. 0.5kg



Unless otherwise specified, differences in the dimensions are specified as: General tolerance = ±(Criteria of tolerance class IT18 in JIS B0401-1998)/2.