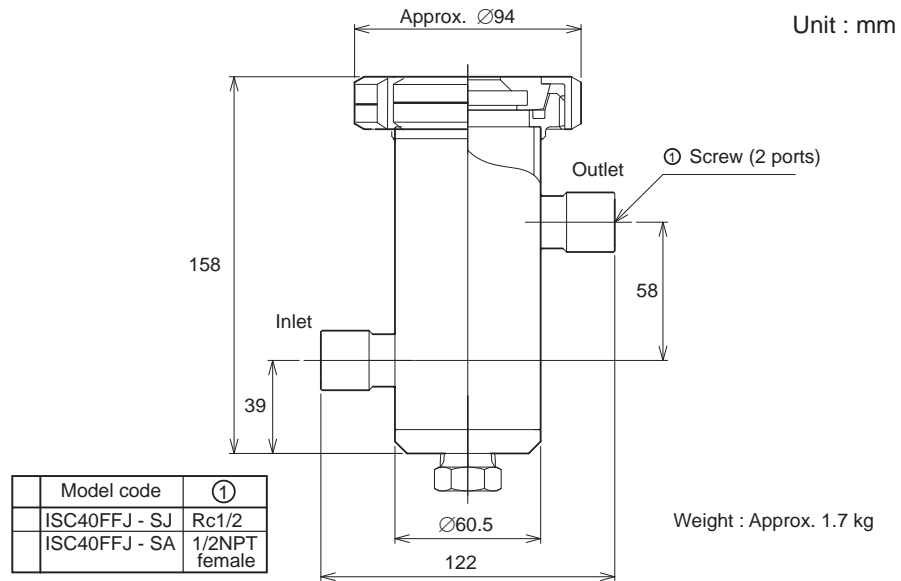


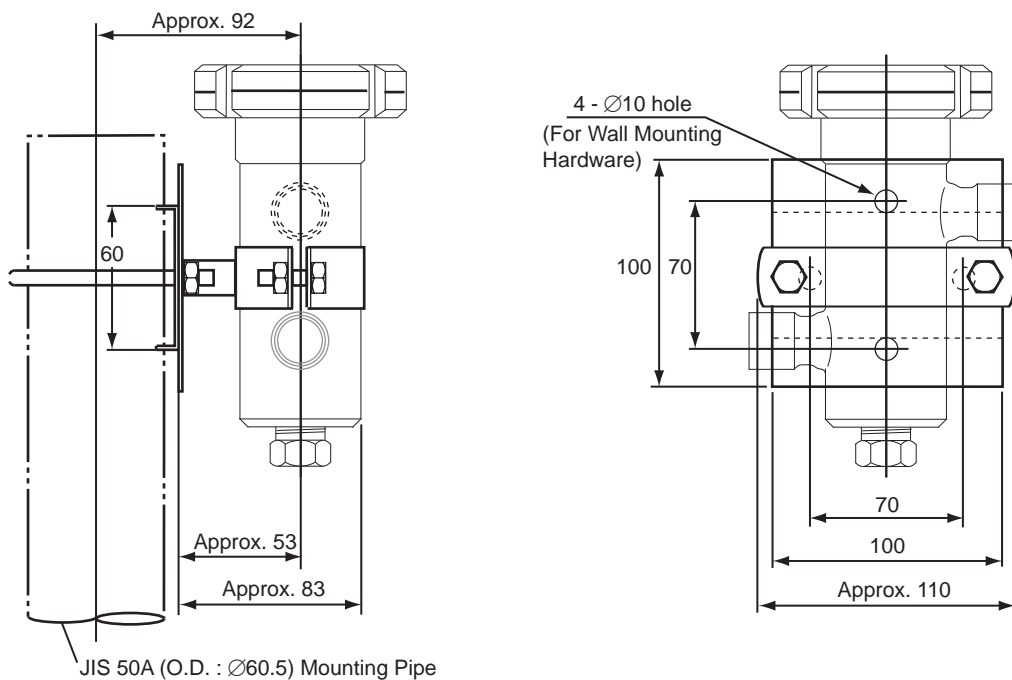
Model ISC40FFJ - S□ Inductive Conductivity Metering System Flow-Through Type Holder

Unit : mm



□ Mounting Bracket - (Option Code : " / MS ")

Weight : Approx. 0.5 kg



Unless otherwise specified, differences in the dimensions are specified as : General tolerance=(Criteria of tolerance class IT18 in JIS B0401-1986)/2.