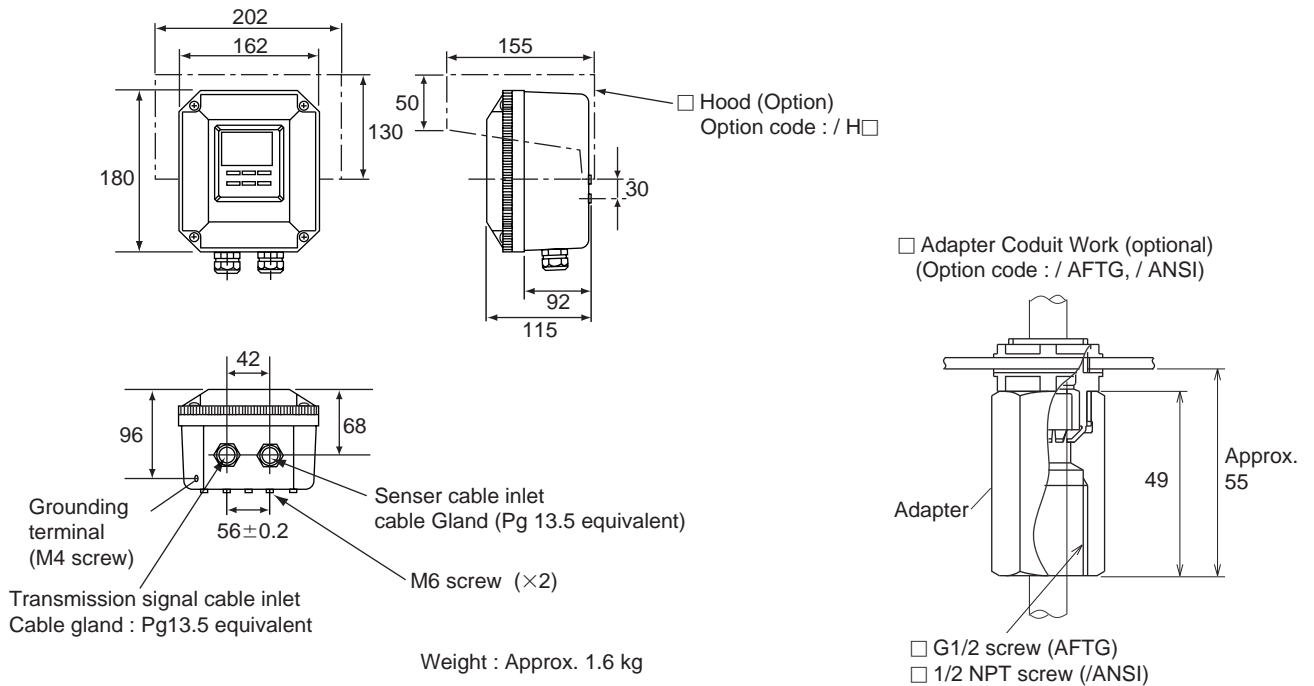


# Drawings

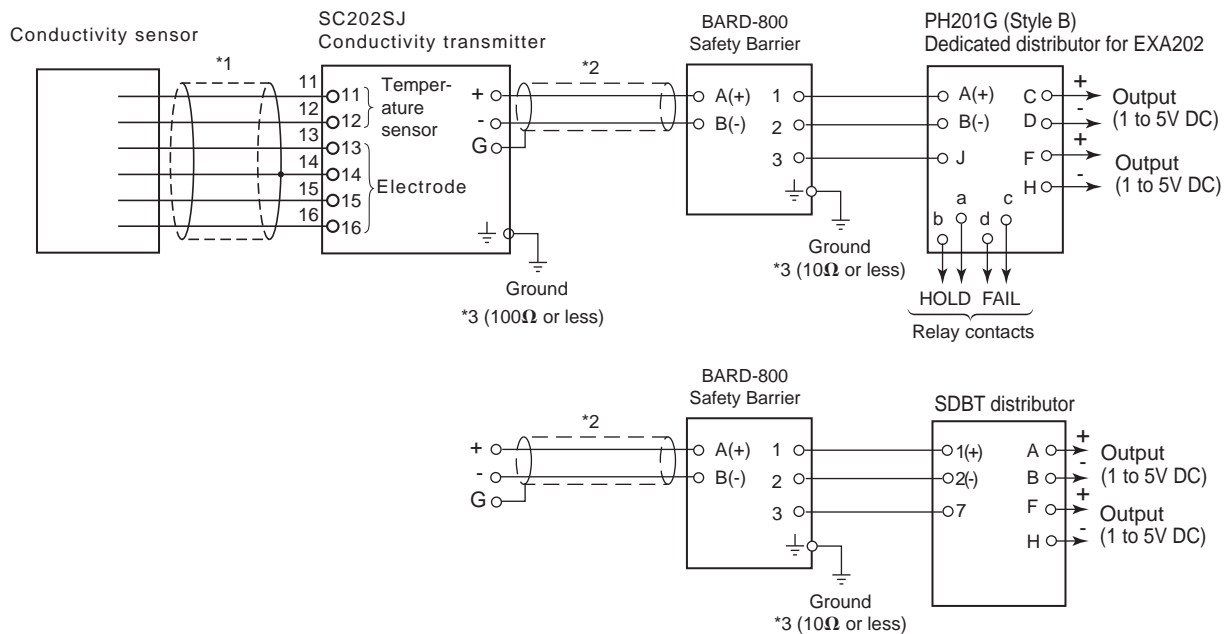
## 2-wire Conductivity Metering system SC202SJ [Style: S2] Transmitter

EXA SC

Unit : mm



### • Wiring for intrinsically safe explosionproof system



\*1: This cable is specified by the additional code of a conductivity sensor.

\*2: Use a 2-conductor shielded cable with an outside diameter of 6 to 12 mm. Shield must be connected to internal terminal G of transmitter and left unconnected at the other side.

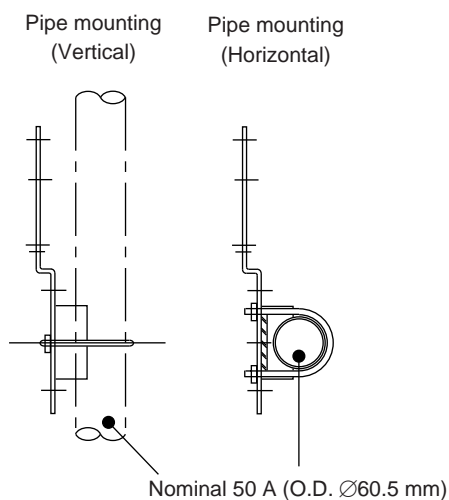
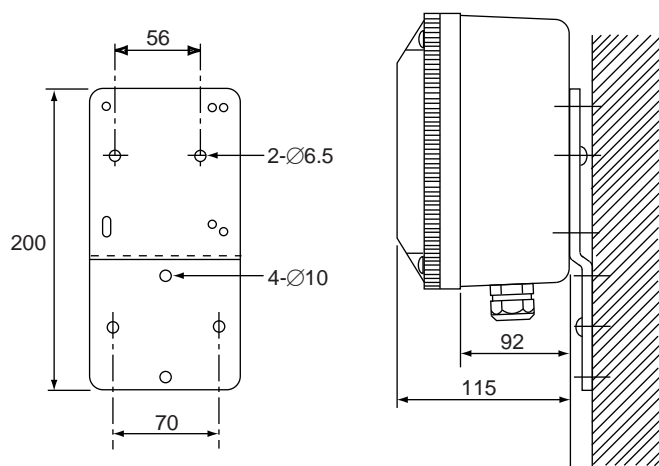
\*3: Transmitter must be grounded using external terminal: for intrinsically safe version ground resistance of SC202SJ should be 100Ω or less (Japanese Class D grounding). For safety barrier ground resistance should not exceed 10Ω (Japanese Class A grounding).

F08s.EPS

Unless otherwise specified, differences in the dimensions are specified as : General tolerance = ±(Criteria of tolerance class IT18 in JIS B0401 - 1986)/2

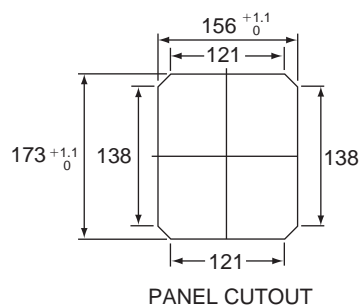
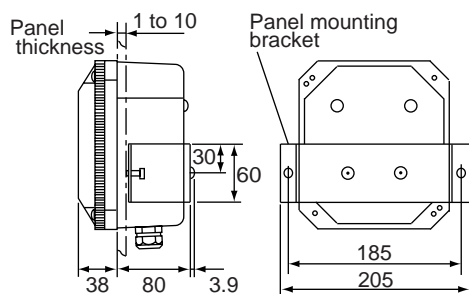
□ Pipe Mounting Hardware (Option code : / U )

Weight : Approx. 0.4kg



□ Panel Mounting Hardware (Option code : /PM)

Weight : Approx. 0.4kg



Unless otherwise specified, differences in the dimensions are specified as : General tolerance =  $\pm$ (Criteria of tolerance class IT18 in JIS B0401 - 1986)/2