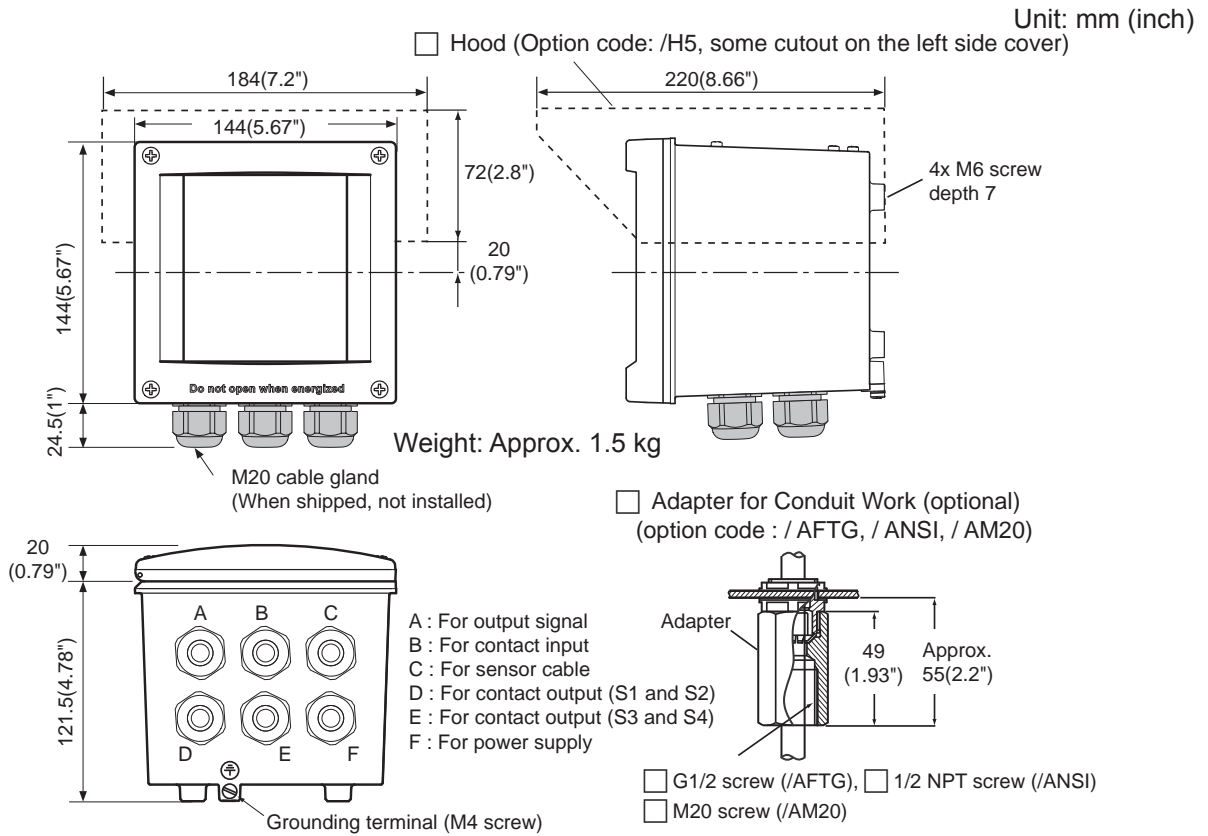


Drawings

Model SC450G [Style: S2] Conductivity / Resistivity Converter



Input and Output Connections

Relay Contacts

32	31	33	42	41	43	250V / 5A AC / DC 100VA / 50W	52	51	53	72	71	73	
NC	C	NO	NC	C	NO		NC	C	NO	NO	C	NC	
S1			S2			CONTACTS			S3			S4 (fail-safe)	

Signal mA Outputs

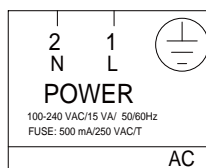
63	66	65	62	61	22	21
SHLD	-	+	-	+		
mA2				mA1 (+HART)		
mA OUTPUTS				CONTACT		

Sensor Inputs

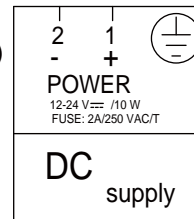
11	12	13	14	15	16
+	-	INNER	OUTER	INNER	OUTER
TEMP		ELECTRODE			
SENSOR(S)					
REFER TO INSTRUCTION MANUAL FOR CONNECTIONS					
SC					

Power Supply

SC450G-A
(AC power)



SC450G-D
(DC power)

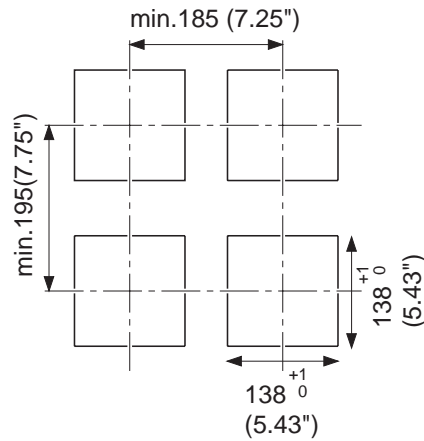


(Terminals are M3 screw)

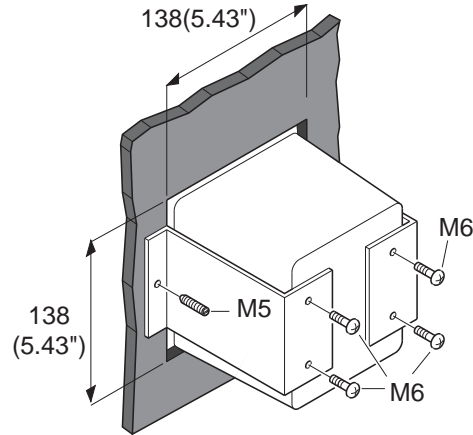
Unless otherwise specified, differences in the dimensions are specified as: General tolerance = ± (Criteria of tolerance class IT18 in JIS B0401-1986) / 2.

Panel cutout

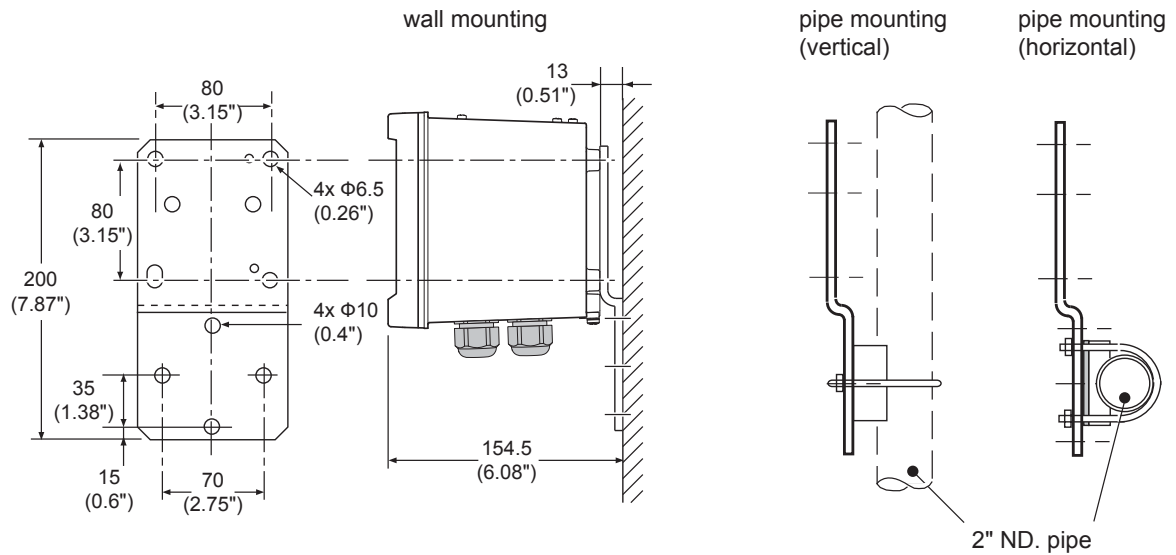
Unit: mm (inch)



Panel mounting diagram (option code: /PM)



Wall and pipe mounting diagram (option code: /U)



(Note) When option code "/UM" is specified, universal pipe/wall/panel mounting kit are supplied--- same as option code "/U" and "/PM" both specified.

Unless otherwise specified, differences in the dimensions are specified as: General tolerance = ± (Criteria of tolerance class IT18 in JIS B0401-1986) / 2.