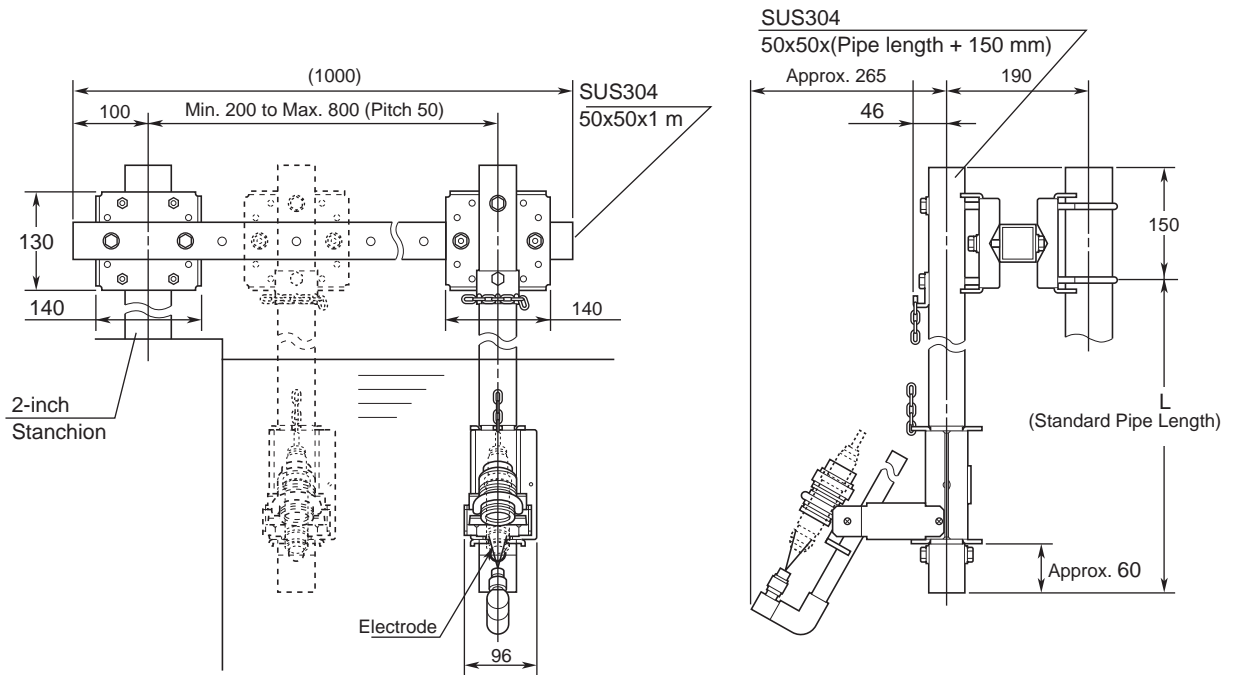


Drawings

HH350G-NN-□□-JT-□□ Suspension Type Holder (With jet cleaning)

Unit : mm



Weight : Approx. 6.9 kg (L=1000 mm)
 Approx. 9.2 kg (L=2000 mm)
 Approx. 11.5 kg (L=3000 mm)
 Approx. 13.8 kg (L=4000 mm)

Unless otherwise specified, differences in the dimensions are specified as: General tolerance = \pm (Criteria of tolerance class it18 in JIS B0401-1986) / 2.