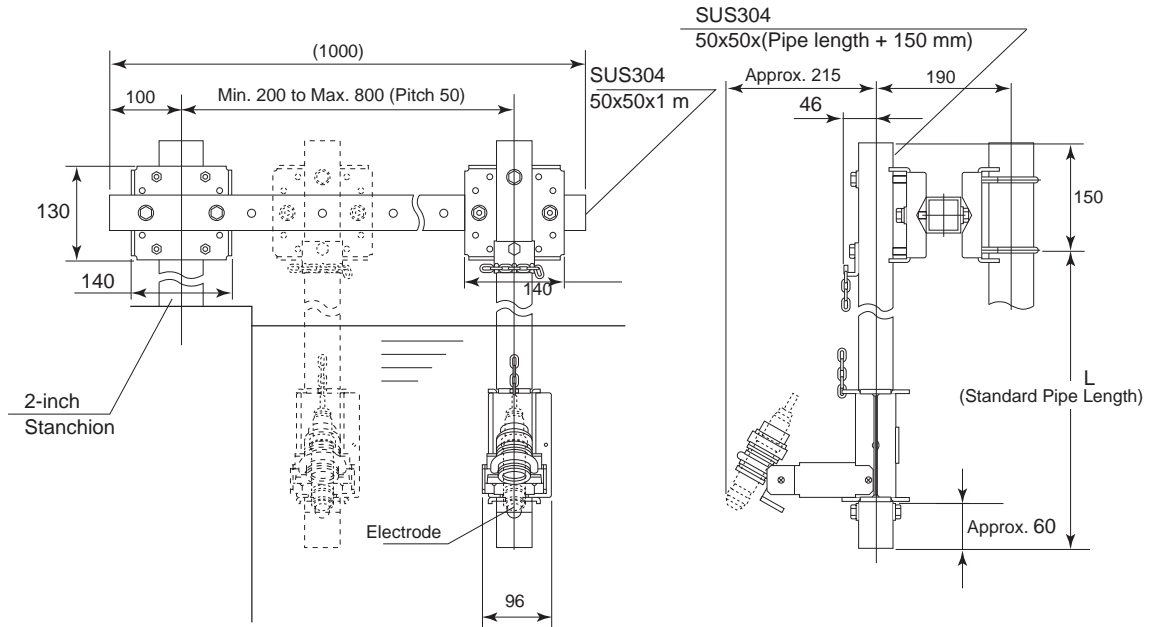


Drawings

HH350G-NN-□□-NN-□□ Suspension Type Holder (Without cleaning)

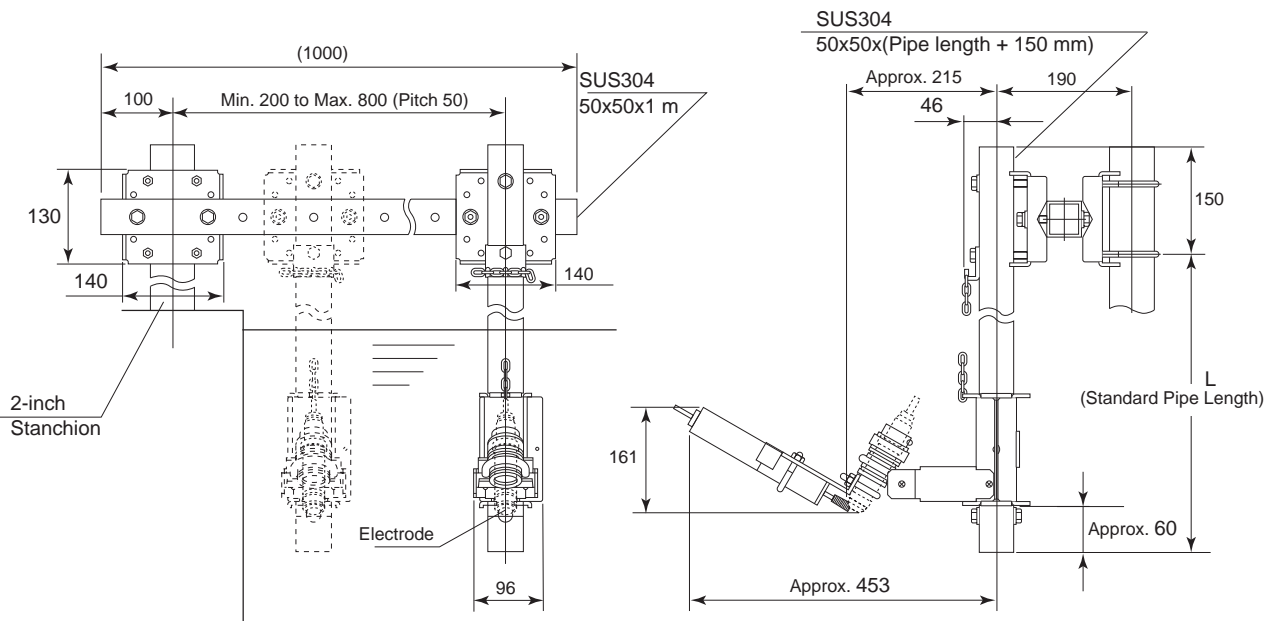
Unit : mm



Weight : Approx. 6.4 kg (L=1000 mm)
 Approx. 8.7 kg (L=2000 mm)
 Approx. 11 kg (L=3000 mm)
 Approx. 13.3 kg (L=4000 mm)

Suspension Type Holder with wiper cleaning (reference only)

Note: When using holder with wiper cleaning, select option code /WP (with wiper cleaning) of SS300G.



Unless otherwise specified, differences in the dimensions are specified as: General tolerance = \pm (Criteria of tolerance class it18 in JIS B0401-1986) / 2.