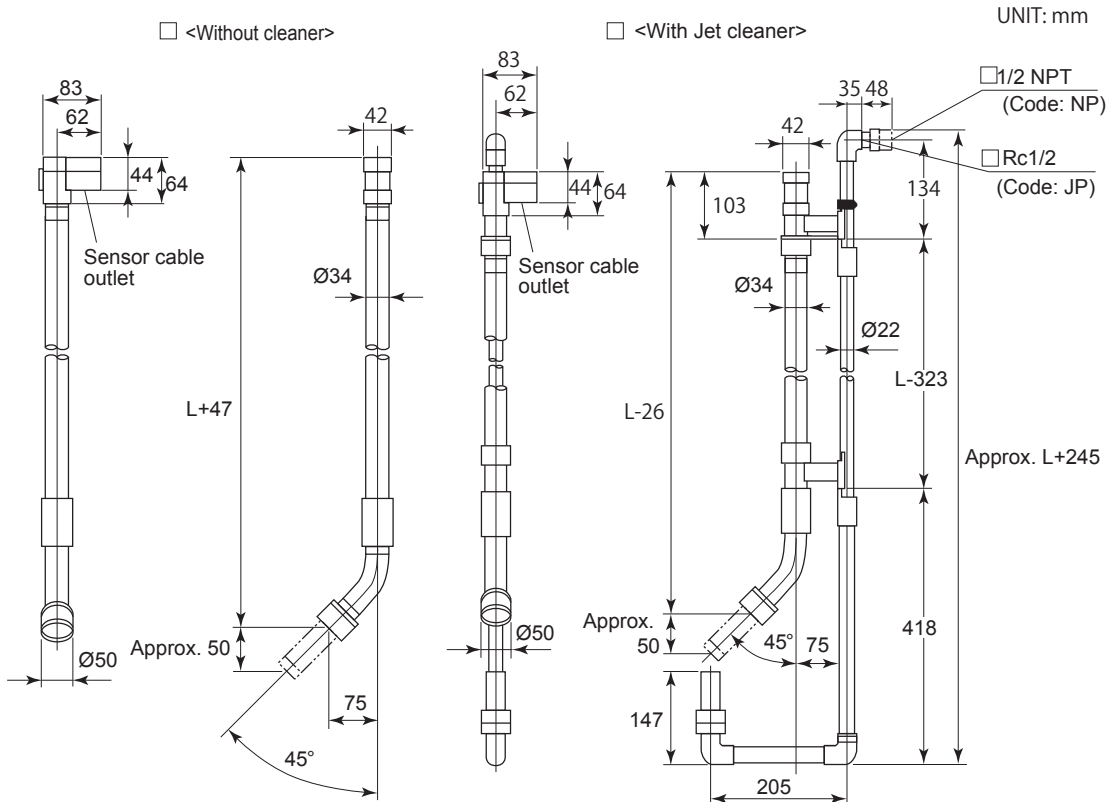


# Drawings

## DOX8HS-PP Submersion Type Holder

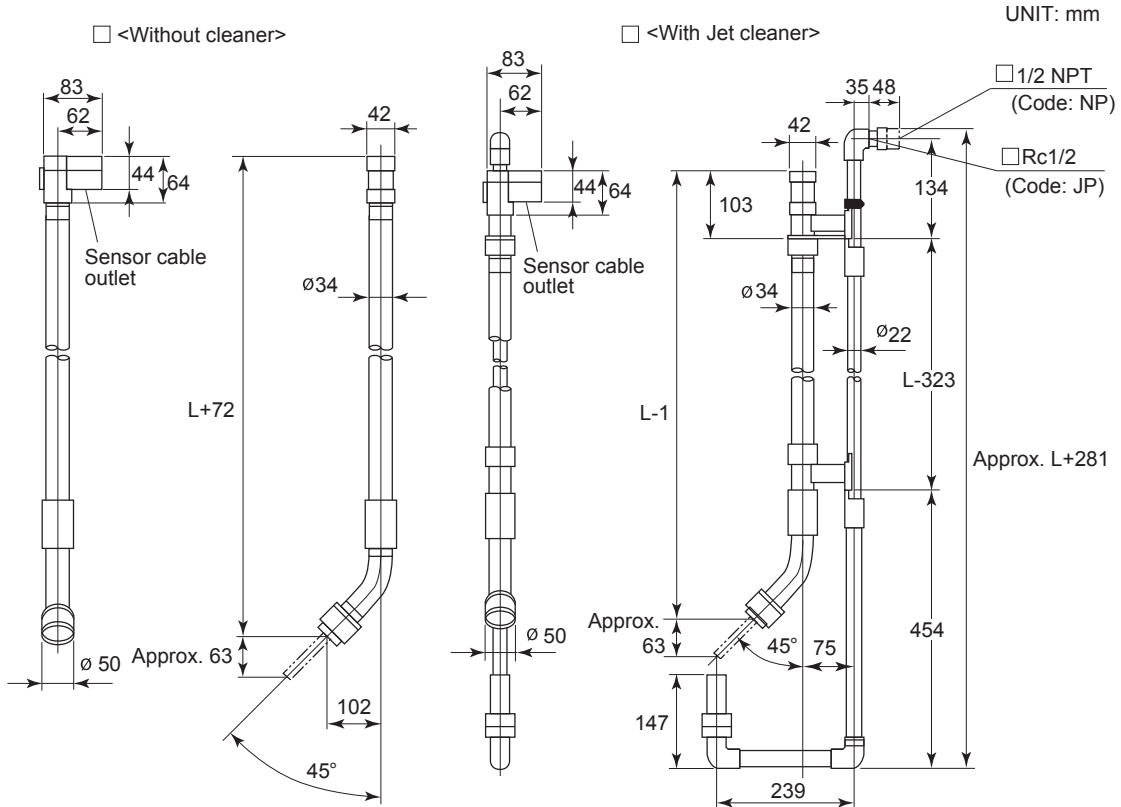
□ DOX8HS-PP- □□-C (For DO30G and SS300G)



Specification of Holder (Model and Code)	Weight (Approx.)				
	Nominal Holder Length (L)				
	1000 mm [ Code: -10 ]	1500 mm [ Code: -15 ]	2000 mm [ Code: -20 ]	2500 mm [ Code: -25 ]	3000 mm [ Code: -30 ]
Without Cleaner DOX8HS-PP-□□-C-NN-NN*B/□□	Approx. 0.5 kg	Approx. 0.65 kg	Approx. 0.8 kg	Approx. 0.95 kg	Approx. 1.1 kg
With Jet cleaner DOX8HS-PP-□□-C-JT-□P*B/□□	Approx. 1.6 kg	Approx. 2.1 kg	Approx. 2.6 kg	Approx. 3.1 kg	Approx. 3.6 kg

Unless otherwise specified, differences in the dimensions are specified as: General tolerance = ±(Criteria of tolerance class IT18 in JIS B0401-1998)/2.

□DOX8HS-PP- □□-L (For DO70G)



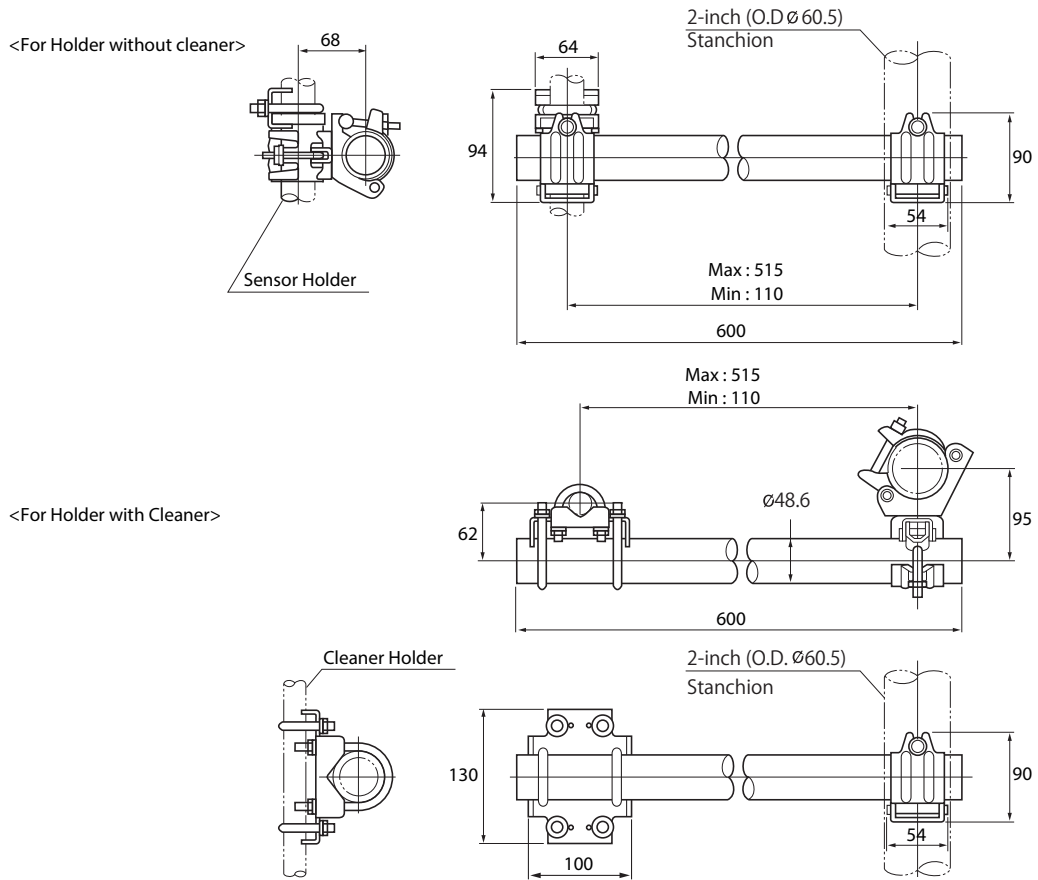
Specification of Holder (Model and Code)	Weight (Approx.)				
	Nominal Holder Length (L)				
	1000 mm [ Code: -10 ]	1500 mm [ Code: -15 ]	2000 mm [ Code: -20 ]	2500 mm [ Code: -25 ]	3000 mm [ Code: -30 ]
Without Cleaner DOX8HS-PP-□□-L-NN-NN*B/□□	Approx. 0.5 kg	Approx. 0.65 kg	Approx. 0.8 kg	Approx. 0.95 kg	Approx. 1.1 kg
With Jet cleaner DOX8HS-PP-□□-L-JT- □P*B/□□	Approx. 1.7 kg	Approx. 2.2 kg	Approx. 2.7 kg	Approx. 3.2 kg	Approx. 3.7 kg

F19-1

Unless otherwise specified, differences in the dimensions are specified as: General tolerance = ±(Criteria of tolerance class IT18 in JIS B0401-1998)/2.

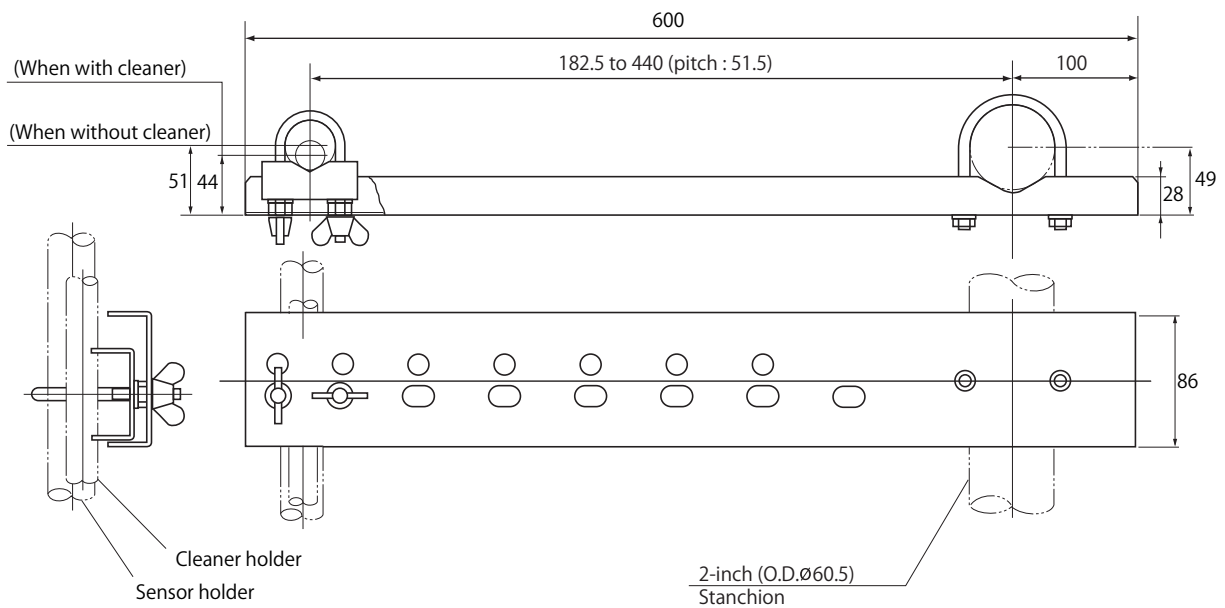
Mounting Hardware (Weight : Approx. 1kg)

- / MS1 - 1 set
- / MS2 - 2 sets



Stainless (Weight : Approx. 1kg)

- / MS5- 1 set
- / MS6 - 2 sets



Unless otherwise specified, differences in the dimensions are specified as: General tolerance = ±(Criteria of tolerance class IT18 in JIS B0401-1998)/2.