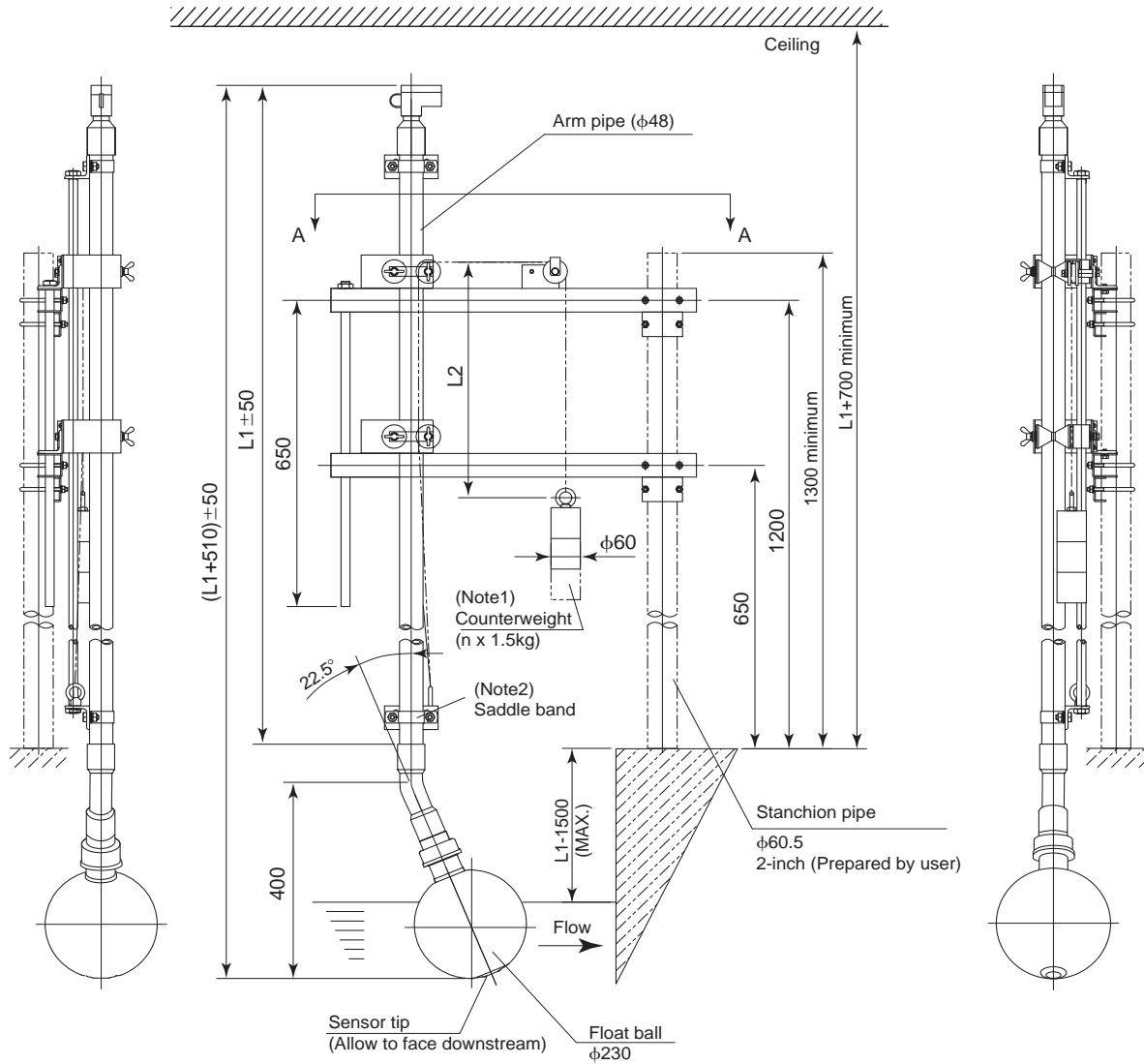


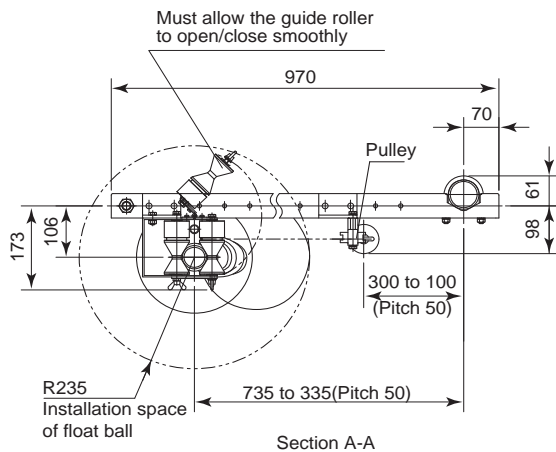
# Drawings

## PB360G-PV Vertical Type Float Holder (Material: PVC)

Unit: mm



Weight: approx. 25 kg of PB360G-PV-25



- Note1: Adjust the weight so that the fluid surface level is equal to or above the center of the float ball.  
(Two weights when L1=2.5 m; three weights when L1=3.5 m)
- Note2: Before fixing the saddle band, adjust the orientation of the holder so that the sensor tip faces downstream.

- L1= Holder length specified  
L2= Half the maximum span +150 mm. However, if the counterweight touches the stanchion pipe installed, adjust the position of the pulley so that the counterweight can freely move up and down inside the tank.

Unless otherwise specified, differences in the dimensions are specified as: General tolerance = ± (Criteria of tolerance class it18 in JIS B0401-1986) / 2.