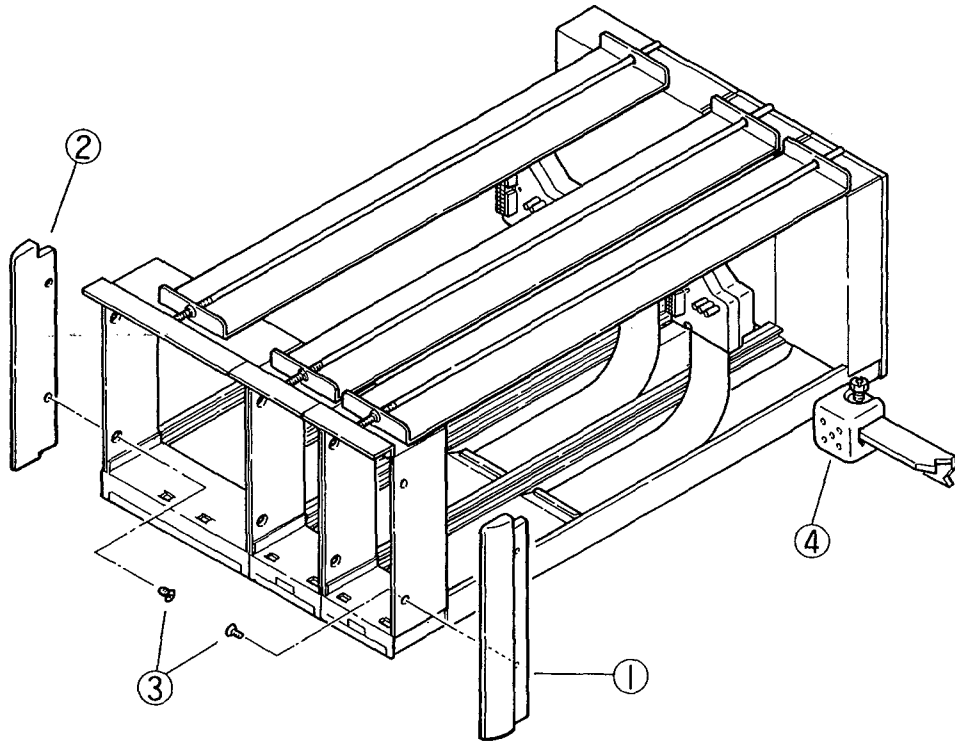


Unit : mm  
(approx. inch)



No.	Description	Q'ty
①	Bezel (Right-Side)	1
②	Bezel (Left-Side)	1
③	Screw	4
④	Side Clamp	2
-	Screwdriver	1

Terminal Designation	Description
L1	+ } Power Supply (DC or AC) - } Ground
L2	

Remarks \_\_\_\_\_