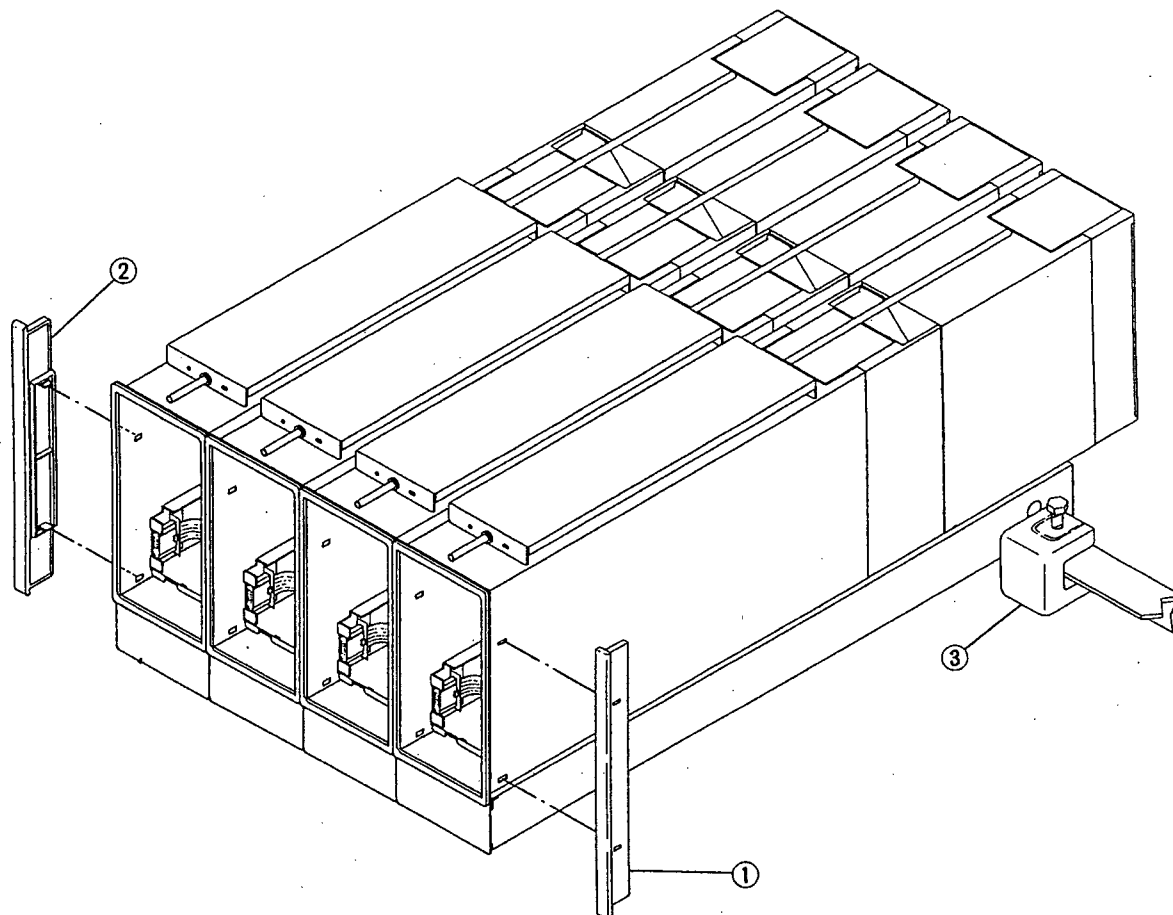


Unit : mm



No.	Description	Q'ty
①	Bezel (Right-Side)	1
②	Bezel (Left-Side)	1
③	Side Clamp	2