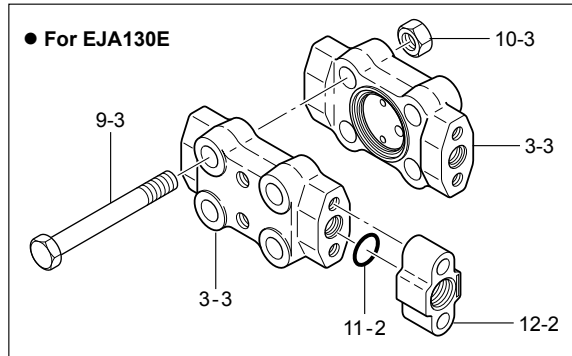
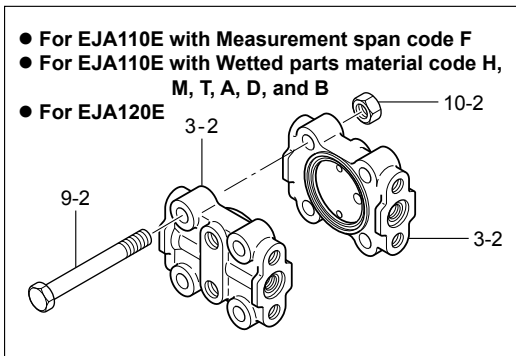
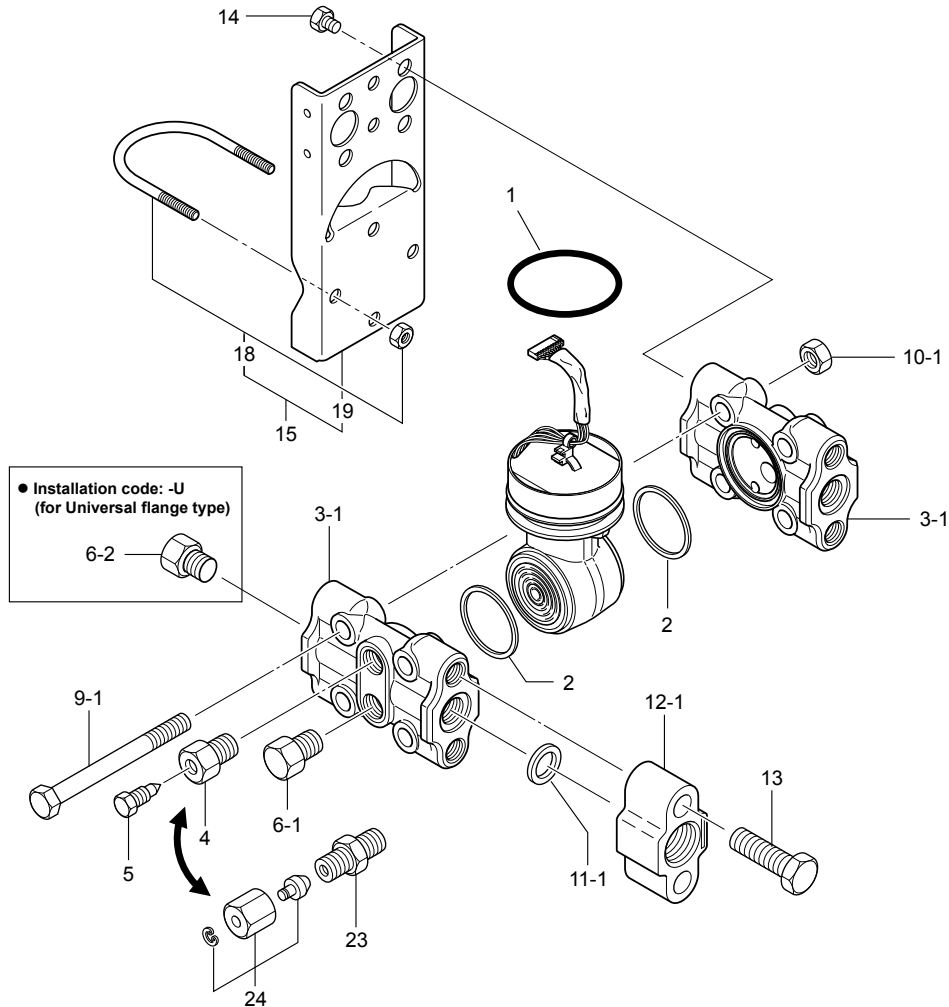


Customer Maintenance Parts List

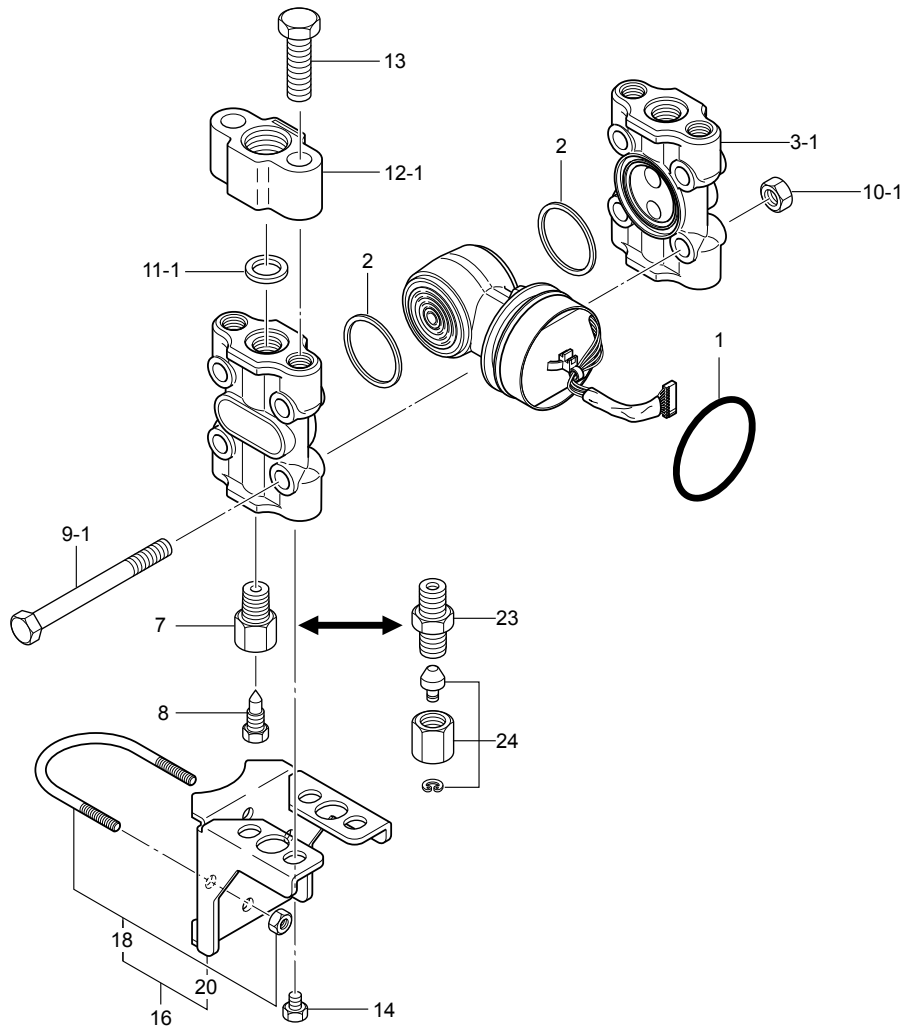
EJA110E, EJA120E, and EJA130E Differential Pressure Transmitters (Pressure-detector Section)



Horizontal Impulse Piping Type / Universal flange type



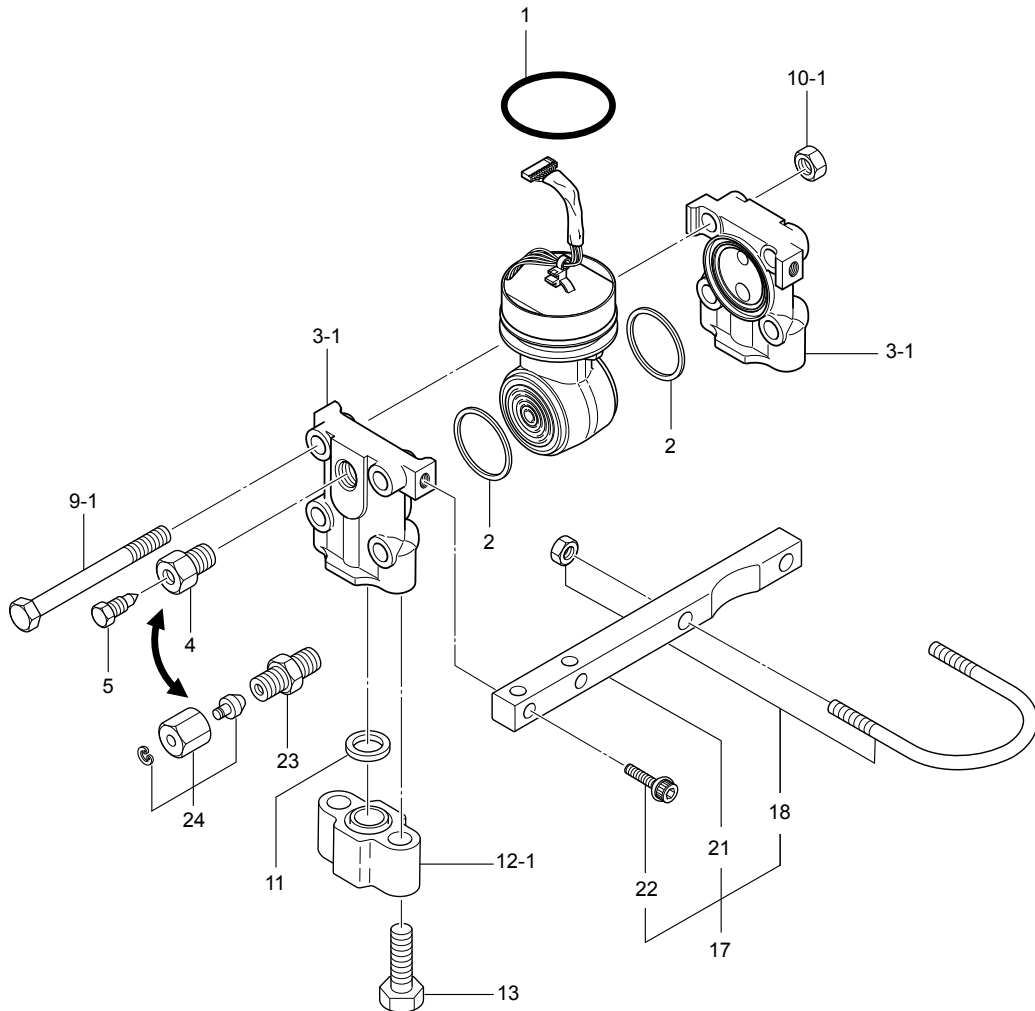
Vertical Impulse Piping Type



- For EJA110E with Measurement span code F
- For EJA110E with Wetted parts material code H, M, T, A, D, and B
- For EJA120E

- For EJA130E

Bottom Process Connection Type



Item	Part No.	Qty			Description
		EJA110E	EJA120E	EJA130E	
1	Below F9900GH F9900GT	1	1	1	O-ring Buna-N For Option code /HE, Fluoro-rubber
2	Below F9900EA F9340GA F9340GE F9340GE F9300FD F9900EF F9900EH F9900EH	2 2 2 2 2 2 2	2 2 2	2 2	Gasket (Note 1) For EJA110E with Wetted parts material code S except Measurement span code F, Teflon coated 316L SST For EJA110E with Measurement span code F, Teflon coated 316L SST For EJA110E with Wetted parts material code H, M, T, A, D, and B, PTFE Teflon For EJA120E, PTFE Teflon For EJA130E, Teflon coated 316L SST For Option code /GS, EJA110E except Measurement span code F, Gold plated 316L SST For Option code /GS, EJA110E with Measurement span code F, Gold plated 316L SST For Option code /GS, EJA130E, Gold plated 316L SST
3-1	Below F9900TA F9900TB F9900TC F9900TD F9900UA F9900UB F9900TG F9900TH	2			Cover flange for EJA110E with Wetted parts material code S except Measurement span code F (Note 1) (Note 2) Rc 1/4 for horizontal impulse piping, ASTM CF-8M 1/4 NPT for horizontal impulse piping, ASTM CF-8M Rc 1/4 for vertical impulse piping, ASTM CF-8M 1/4 NPT for vertical impulse piping, ASTM CF-8M Rc 1/4 for universal flange, ASTM CF-8M 1/4 NPT for universal flange, ASTM CF-8M Rc 1/4 for bottom process connection, ASTM CF-8M 1/4 NPT for bottom process connection, ASTM CF-8M
3-2	Below 1 F9340VA F9340VB F9340VC F9340VD F9900UL F9900UM	2			Cover flange for EJA110E with Measurement span code F (Note 1) (Note 2) Rc 1/4 for horizontal impulse piping, ASTM CF-8M 1/4 NPT for horizontal impulse piping, ASTM CF-8M Rc 1/4 for vertical impulse piping, ASTM CF-8M 1/4 NPT for vertical impulse piping, ASTM CF-8M Rc 1/4 for universal flange, ASTM CF-8M 1/4 NPT for universal flange, ASTM CF-8M
3-2	Below 2 F9340VP F9340VR F9340VN F9340VQ	2			Cover flange for EJA110E with Wetted parts material code H, M, and T (Note 1) Rc 1/4 for horizontal impulse piping, ASTM CF-8M 1/4 NPT for horizontal impulse piping, ASTM CF-8M Rc 1/4 for vertical impulse piping, ASTM CF-8M 1/4 NPT for vertical impulse piping, ASTM CF-8M
3-2	Below 3 F9340VS F9340VT F9340VU F9340VV	2			Cover flange for EJA110E with Wetted parts material code A and D (Note 1) Rc 1/4 for horizontal impulse piping, Hastelloy C-276 equivalent 1/4 NPT for horizontal impulse piping, Hastelloy C-276 equivalent Rc 1/4 for vertical impulse piping, Hastelloy C-276 equivalent 1/4 NPT for vertical impulse piping, Hastelloy C-276 equivalent
3-2	Below 4 F9340TP F9340TR F9340TN F9340TQ	2			Cover flange for EJA110E with Wetted parts material code B (Note 1) Rc 1/4 for horizontal impulse piping, Monel equivalent 1/4 NPT for horizontal impulse piping, Monel equivalent Rc 1/4 for vertical impulse piping, Monel equivalent 1/4 NPT for vertical impulse piping, Monel equivalent
3-2	Below F9340VP F9340VR F9340VN F9340VQ F9900UC F9900UD		2		Cover flange for EJA120E (Note 1) (Note 2) Rc 1/4 for horizontal impulse piping, ASTM CF-8M 1/4 NPT for horizontal impulse piping, ASTM CF-8M Rc 1/4 for vertical impulse piping, ASTM CF-8M 1/4 NPT for vertical impulse piping, ASTM CF-8M Rc 1/4 for universal flange, ASTM CF-8M 1/4 NPT for universal flange, ASTM CF-8M
3-3	Below F9340UH F9340UJ F9900UF		2		Cover flange for EJA130E (Note 1) (Note 2) 1/4 NPT for horizontal impulse piping, F316 SST 1/4 NPT for vertical impulse piping, F316 SST 1/4 NPT for universal flange, F316 SST
4	Below F9340SA F9340SB F9340SE F9340SF F9340SS F9340ST	2 2 2 2 2 2	2 2 2	2	Vent plug R 1/4, with Wetted parts material code S, H, M, and T, 316 SST 1/4 NPT, with Wetted parts material code S, H, M, and T, 316 SST R 1/4 with Wetted parts material code A and D, Hastelloy C-276 1/4 NPT with Wetted parts material code A and D, Hastelloy C-276 R 1/4 with Wetted parts material code B, Monel 1/4 NPT with Wetted parts material code B, Monel
5	Below D0114PB F9340SK	2 2	2 2	2	Vent screw With Wetted parts material code S, H, M, and T, 316 SST With Wetted parts material code A and D, Hastelloy C-276

(Note 1) In case of degrease cleansing treatment (Option code /K1, /K2, /K5, or /K6), consult Yokogawa local office.

(Note 2) Not applicable for Option code /GS, /N1, /N2, or /N3.

Item	Part No.	Qty			Description
		EJA110E	EJA120E	EJA130E	
	F9270HG	2			With Wetted parts material code B, Monel
6-1	Below				Drain plug for Horizontal impulse piping type / Universal flange type (Note 1)
	F9200CS	2	2	2	R 1/4 with Wetted parts material code S, H, M, and T, 316 SST
	D0114RZ	2	2	2	1/4 NPT with Wetted parts material code S, H, M, and T, 316 SST
	F9340SL	2			R 1/4 with Wetted parts material code A and D, Hastelloy C-276
	F9340SM	2			1/4 NPT with Wetted parts material code A and D, Hastelloy C-276
	F9340SW	2			R 1/4 with Wetted parts material code B, Monel
	D0117MS	2			1/4 NPT with Wetted parts material code B, Monel
6-2	Below	2	2	2	Drain plug for Universal flange type (Note 1)
	F9200CS				R 1/4, 316 SST
	D0114RZ				1/4 NPT, 316 SST
7	Below				Drain/vent plug
	F9340SC	2	2	2	R 1/4 with Wetted parts material code S, H, M, and T, 316 SST
	F9340SD	2	2	2	1/4 NPT with Wetted parts material code S, H, M, and T, 316 SST
	F9340SG	2			R 1/4 with Wetted parts material code A and D, Hastelloy C-276
	F9340SH	2			1/4 NPT with Wetted parts material code A and D, Hastelloy C-276
	F9340SU	2			R 1/4 with Wetted parts material code B, Monel
	F9340SV	2			1/4 NPT with Wetted parts material code B, Monel
8	Below				Drain/vent screw
	F9270HE	2	2	2	With Wetted parts material code S, H, M, and T, 316 SST
	F9340SJ	2			With Wetted parts material code A, Hastelloy C-276
	D0117MR	2			With Wetted parts material code B, Monel
9-1	Below	4			Bolt for EJA110E with Wetted parts material code S except Measurement span code F
	F9900AC				ASTM-B7M carbon steel
	F9900AA				316L SST
	F9900AD				ASTM grade 660 stainless steel
9-2	Below 1	4			Bolt for EJA110E with Measurement span code F
	F9340BC				ASTM-B7M carbon steel
	F9900AB				316L SST
	F9900AR				ASTM grade 660 stainless steel
9-2	Below 2	4			Bolt for EJA110E with Wetted parts material code H, M, T, A, D, and B
	F9340BC				ASTM-B7M carbon steel
	F9900AB				316L SST
	F9900AR				ASTM grade 660 stainless steel
9-2	Below 3	4			Bolt for EJA120E
	F9340BC				ASTM-B7M carbon steel
	F9900AB				316L SST
	F9900AR				ASTM grade 660 stainless steel
9-3	Below	4			Bolt for EJA130E
	F9340BJ				ASTM-B7M carbon steel
	F9340BG				316L SST
	F9340AU				ASTM grade 660 stainless steel
10-1	Below	4			Nut for EJA110E with Wetted parts material code S except Measurement span code F
	F9900BC				ASTM-B7M carbon steel
	F9900BA				316L SST
	F9900BE				ASTM grade 660 stainless steel
10-2	Below 1	4			Nut for EJA110E with Measurement span code F
	F9340CC				ASTM-B7M carbon steel
	F9900BB				316L SST
	F9900BR				ASTM grade 660 stainless steel
10-2	Below 2	4			Nut for EJA110E with Wetted parts material code H, M, T, A, D, and B
	F9340CC				ASTM-B7M carbon steel
	F9900BB				316L SST
	F9900BR				ASTM grade 660 stainless steel
10-2	Below 3	4			Nut for EJA120E
	F9340CC				ASTM-B7M carbon steel
	F9900BB				316L SST
	F9900BR				ASTM grade 660 stainless steel
10-3	Below	4			Nut for EJA130E
	F9900BL				ASTM-B7M carbon steel
	F9900BJ				316L SST

(Note 1) In case of degrease cleansing treatment (Option code /K1, /K2, /K5, or /K6), consult Yokogawa local office.

Item	Part No.	Qty			Description
		EJA110E	EJA120E	EJA130E	
	F9900BP				ASTM grade 660 stainless steel
11-1	D0114RB	2	2		Gasket for EJA110E and EJA120E, PTFE Teflon (Note 1)
11-2	F9340GN			2	Gasket for EJA130E, Fluorinated rubber (Note 1)
12-1	Below 1 F9340XY F9340XW F9340XZ F9340XX	2	2		Process connector for EJA110E and EJA120E Rc 1/4, ASTM CF-8M Rc 1/2, ASTM CF-8M 1/4 NPT, ASTM CF-8M 1/2 NPT, ASTM CF-8M
12-1	Below 2 F9340WY F9340WWW F9340WZ F9340WX	2			Process connector for EJA110E with Wetted parts material code A and D Rc 1/4, Hastelloy C-276 equivalent Rc 1/2, Hastelloy C-276 equivalent 1/4 NPT, Hastelloy C-276 equivalent 1/2 NPT, Hastelloy C-276 equivalent
12-1	Below 3 F9340TY F9340TW F9340TZ F9340TX	2			Process connector for EJA110E with Wetted parts material code B Rc 1/4, Monel equivalent Rc 1/2, Monel equivalent 1/4 NPT, Monel equivalent 1/2 NPT, Monel equivalent
12-2	Below F9340XT F9340XS			2	Process connector for EJA130E 1/4 NPT, ASTM CF-8M 1/2 NPT, ASTM CF-8M
13	Below F9900AU F9900AS F9340BZ	4	4	4	Process connector bolt ASTM-B7M carbon steel 316L SST stainless steel ASTM grade 660 stainless steel
14	Below F9273CZ F9900SH	4	4	4	Transmitter mounting bolt SUSXM7 for Mounting bracket code B and D 316 SST for Mounting bracket code J and K
15	Below F9300TA F9900SA	1	1	1	Bracket assembly (Flat type) 304 SST 316 SST
16	Below F9340EC F9900SC	1	1	1	Bracket assembly (L type) 304 SST 316 SST
17	F9900SE	1			Bracket assembly (Bottom process connection), 316 SST
18	Below D0117XL-A F9900SN	1	1	1	U-bolt/nut assembly, 304 SST 316 SST
19	Below F9300TE F9900SB	1	1	1	Bracket (Flat type) 304 SST 316 SST
20	Below F9340EM F9900SD	1	1	1	Bracket (L type) 304 SST 316 SST
21	F9900SF	1			Bracket (Bottom process connection), 316 SST
22	F9900SG	2			Screw, 316 SST
23	Below F9275EC F9275ED	2	2	2	Vent plug (degreased), 316 SST R 1/4 1/4 NPT
24	F9275EE	2	2	2	Needle assembly (degreased), 316 SST

(Note 1) In case of degrease cleansing treatment (Option code /K1, /K2, /K5, or /K6), consult Yokogawa local office.