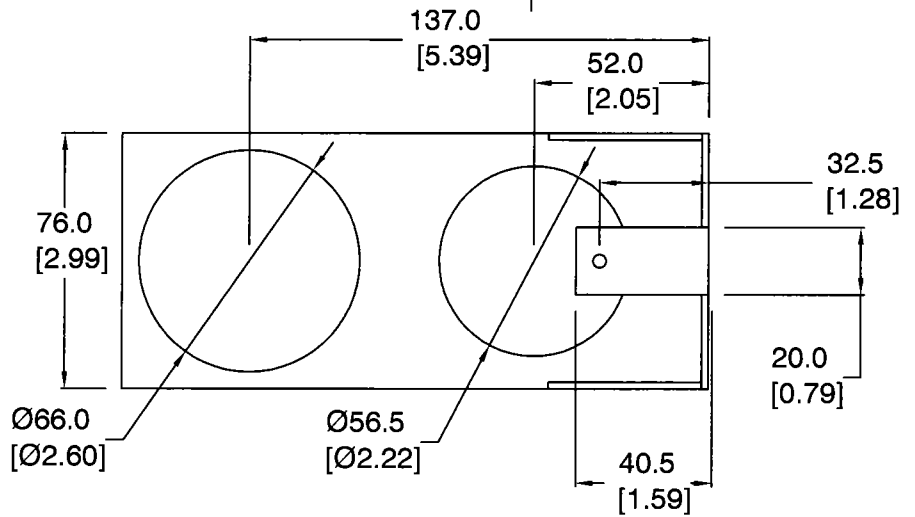
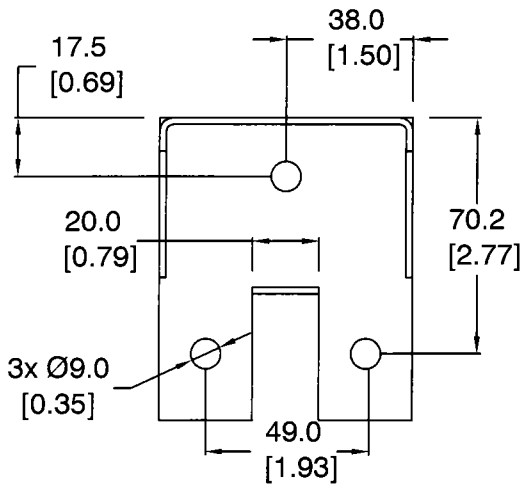
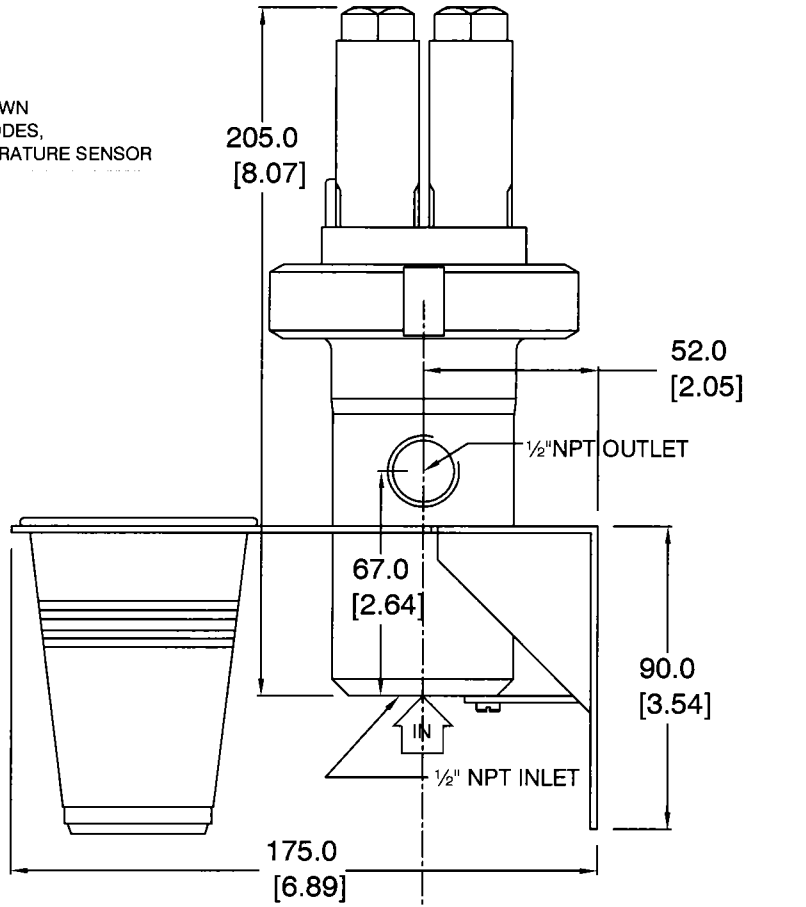


FLOW FITTING SHOWN  
WITHOUT ELECTRODES,  
CABLES OR TEMPERATURE SENSOR



P.O. NUMBER  
YCA #  
TAG #(s)

FF20 FLOW THROUGH pH/ORP HOLDER, 316 STAINLESS STEEL,

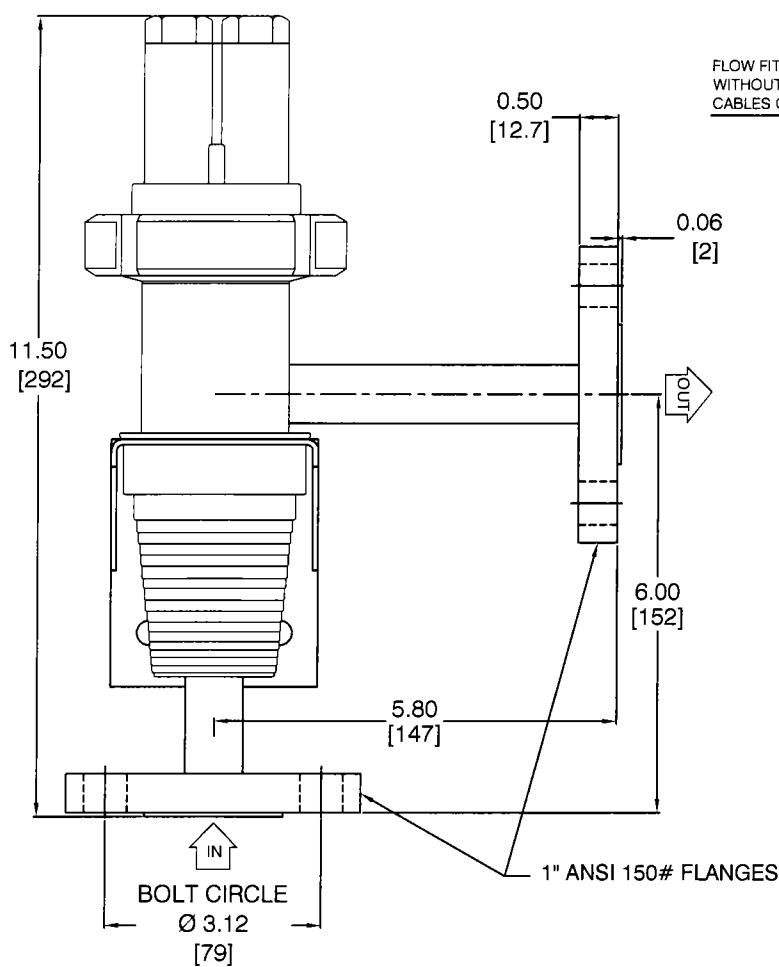
MODEL #:  
**FF20-S33\*B**

SCALE:  
N/A  
UNITS:  
mm (IN)

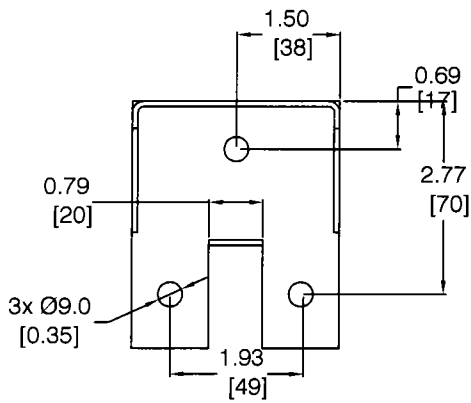
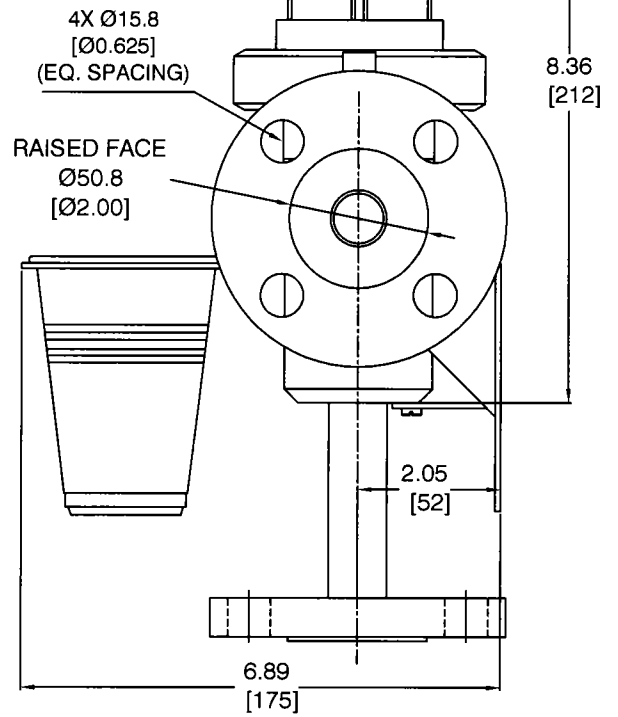
**YOKOGAWA**

2 DART ROAD

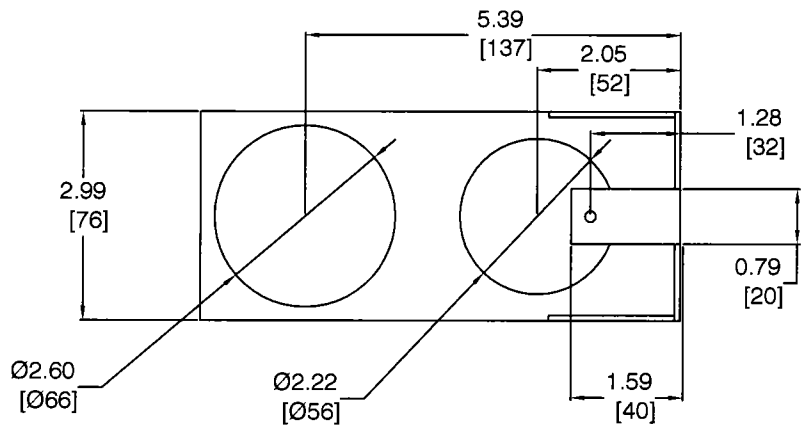
NEWNAN, GEORGIA 30265



FLOW FITTING SHOWN  
WITHOUT ELECTRODES,  
CABLES OR TEMPERATURE SENSOR



MOUNTING BRACKET



MOUNTING BRACKET

P.O. NUMBER  
YCA #  
TAG #(s)

FF20 FLOW THROUGH pH/ORP HOLDER, 316 STAINLESS STEEL,  
1" 150# ANSI FLANGE PROCESS CONNECTION,

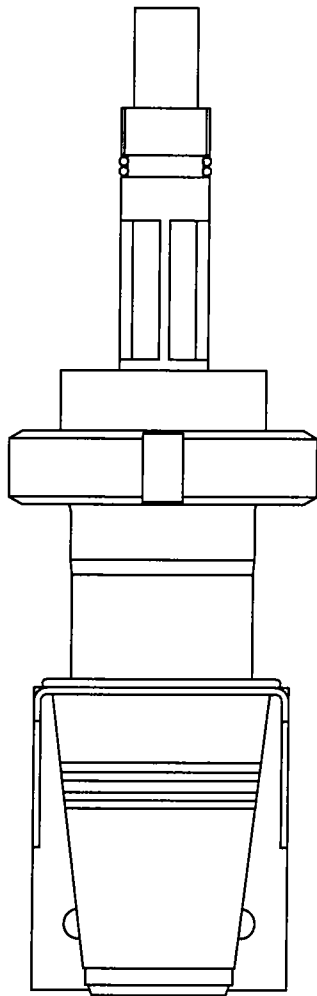
MODEL #: **FF20-S33\*B/FS4**

SCALE:  
N/A  
UNITS:  
mm(IN)

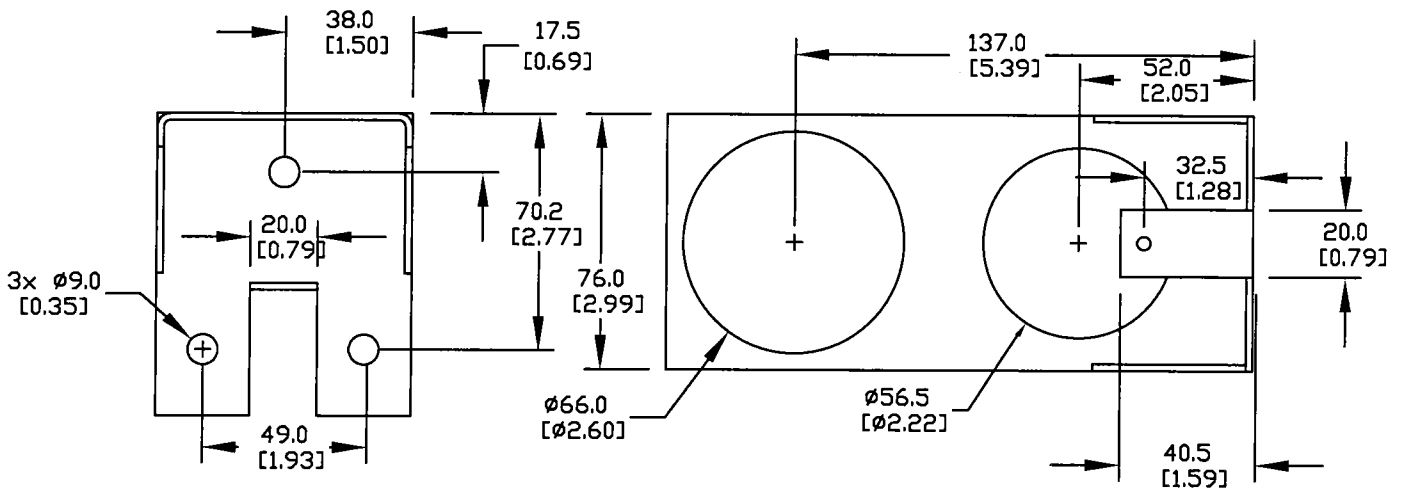
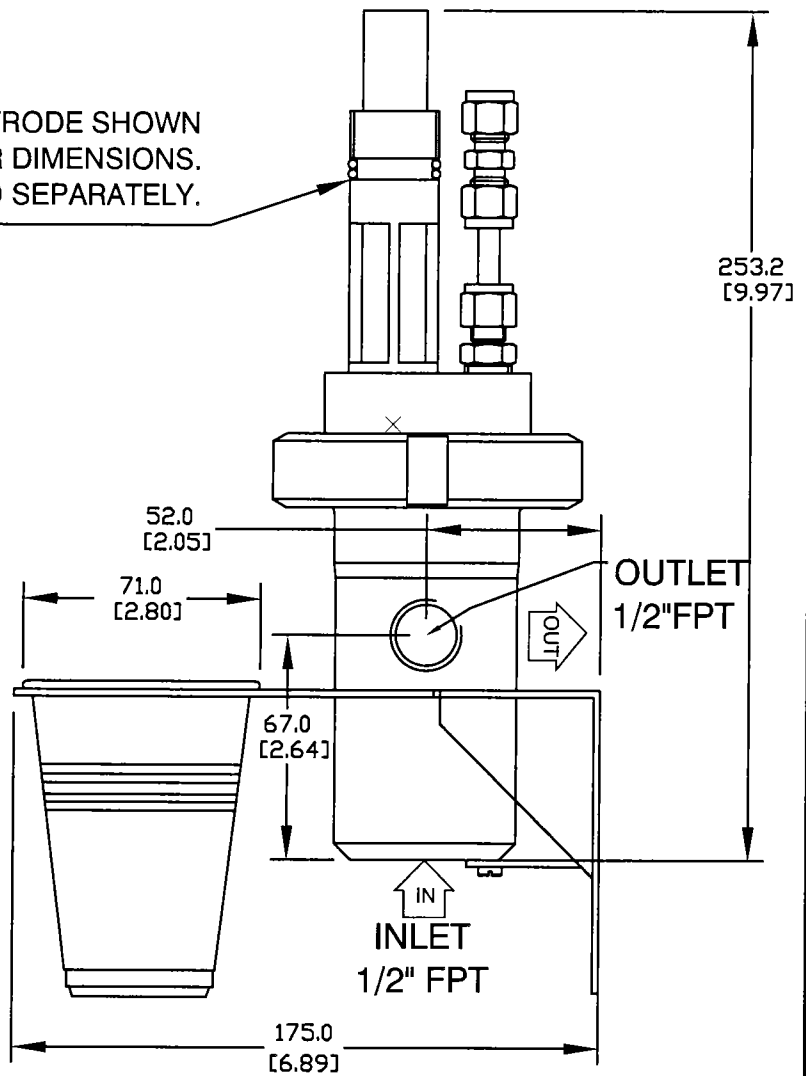
**YOKOGAWA** ◆

2 DART ROAD

NEWNAN, GEORGIA 30265



PH20 ELECTRODE SHOWN  
FOR DIMENSIONS.  
ORDERED SEPARATELY.



P.O. NUMBER  
YCA #  
TAG #(s)

FF20 FLOW THROUGH pH/ORP SENSOR,  
316 STAINLESS STEEL, HOLDER WITH CLEANING ASSEMBLY  
MATERIAL CERTIFICATE,

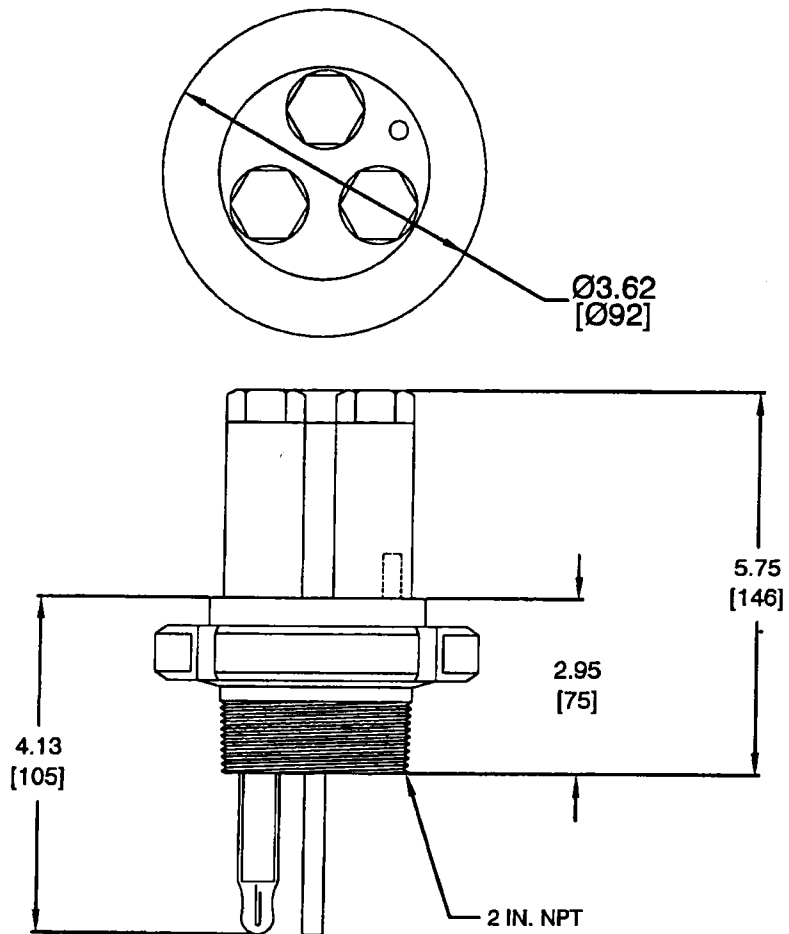
SCALE:  
N/A  
UNITS:  
mm (IN)

MODEL #:  
FF20-S22\*B/HCN2/M

**YOKOGAWA** ◆

2 DART ROAD

NEWNAN, GEORGIA 30265



FS20 INSERTION HOLDER

UNITS  
IN [MM]

**YOKOGAWA** ◆

2 DART ROAD

NEWMAN, GEORGIA 30286