

General Specifications

Model SC42
Conductivity Sensors for
2-Electrode Systems

GS 12D06A02-01E-A

The SC42 Small-Bore conductivity sensors have rugged stainless steel bodies, integral cables, and a variety of process connections available. The direct insertion sensors come with a 3/4" MNPT Polypropylene adapter. A 316 Stainless Steel adapter is also available as an option for applications at higher temperatures or pressures. The sanitary sensors are compatible with 2.0", 1.5", or 1.0" Tri-clover sanitary fittings. All of the sensors come complete with Pt1000 temperature elements for accurate temperature compensation.

FEATURES

- Rugged 316 Stainless Steel construction
- 3/4" Direct Insertion with Polypropylene or 316SS adapters
- Sanitary options compatible with 1", 1.5", or 2" Tri-clover fittings
- Integral Cable
- Platinum 1000 Temperature compensation

SPECIFICATIONS:

Wetted materials

- a. Body and electrodes: 316 SS
- b. Insulator: Teflon
- c. O-rings: EPR
- d. Fittings: Polypropylene or 316SS (optional)

Connections

- a. Polypropylene fitting 3/4" MNPT
- b. 316 SS fitting 3/4" MNPT
- c. Sanitary fitting 1", 1.5", 2" Tri-Clover compatible
- d. Electrical Integral cable with pinned leads

Operation

- Measuring system: 2-electrode
- Temperature comp: Platinum 1000
- Maximum pressure/temp: 100 PSIG @ 100°C
(Polypropylene 3/4" MNPT fitting)
200 PSIG @ 120°C
(316 SS 3/4" MNPT fitting)
100 PSIG @ 120°C (Tri-Clover fitting)

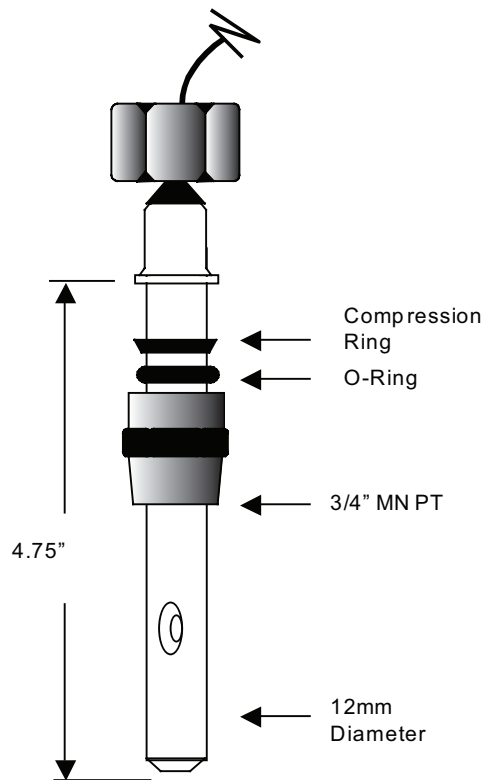


Measuring Range:

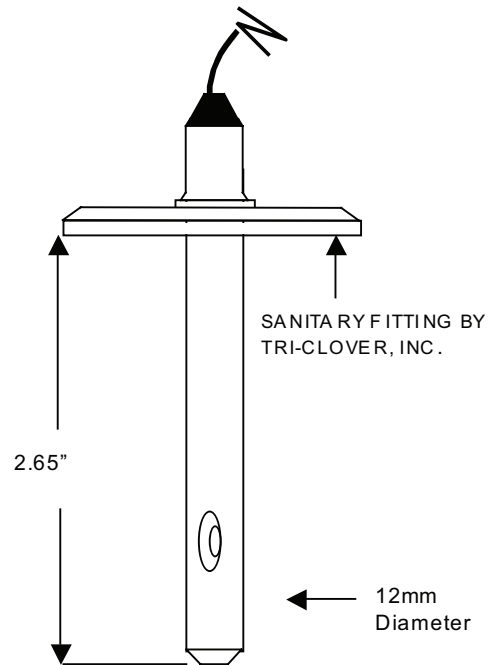
CELL CONSTANT	MEASURING RANGE
0.02	0.04-500 $\mu\text{S/cm}$
0.1	0.4-2000 $\mu\text{S/cm}$
1.0	4.0-5000 $\mu\text{S/cm}$

* Contact Yokogawa for further information

SC42-SP Direct Insertion Sensor



SC42-TC Sanitary Fitting Sensor



Direct Insertion Electrodes

Model Code	Suffix Code	Option	Description
SC42			Small-Bore Conductivity Sensor (Pt1000 Temp comp) with 18 feet Integral Cable Length, Polypropylene 3/4" MNPT adapter included
	-SP36		Cell Constant = 0.02 /cm
	-SP26		Cell Constant = 0.1 /cm
	-SP16		Cell Constant = 1.0 /cm
		/10	10 meters Integral Cable (instead of 18')
M1234EQ-A			Stainless Steel 3/4" MNPT adapter

Sanitary Fitting Electrodes

Model Code	Suffix Code	Option	Description
SC42			Small-Bore Conductivity Sensor (Pt1000 Temp comp) with 18 feet Integral Cable Length
	-TC36/01		1.0" or 1.5" Tri-Clover Fitting , Cell Constant = 0.02 /cm
	-TC36/02		2.0" Tri-Clover Fitting , Cell Constant = 0.02 /cm
	-TC26/01		1.0" or 1.5" Tri-Clover Fitting, Cell Constant = 0.1 /cm
	-TC26/02		2.0" Tri-Clover Fitting ,Cell Constant = 0.1 /cm
		/10	10 meters Integral Cable (instead of 18')
		/FC	20 RA Finished Surface with Certificate
		/AC	Material Certificate of Analysis