

SC4A-X-AD-09-XX-XX-T1/Q  
 SC4A 19 MM CONDUCTIVITY SENSOR  
 Pt1000 TEMPERATURE SENSOR  
 3/4" MNPT PVDF ADAPTER

UNITS:  
 IN [MM]

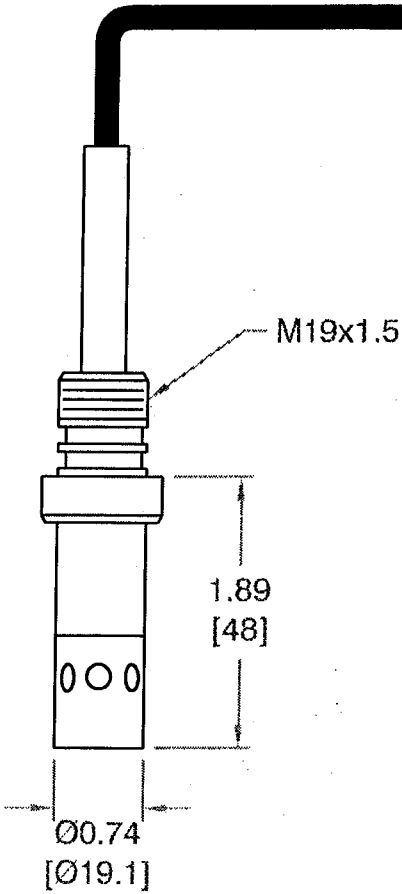
**YOKOGAWA** 

2 DART ROAD

NEWNAN, GEORGIA 30265

EXA ANALYZER / TRANSMITTER

- 11 TEMPERATURE SENSOR (WHITE)
- 12 TEMPERATURE Pt1000 (BROWN)
- 13 SENSOR OUTER ELECTRODE (GREEN)
- 14 SENSOR OUTER ELECTRODE (YELLOW)
- 15 SENSOR INNER ELECTRODE (GREY OR BLACK)
- 16 SENSOR INNER ELECTRODE (PINK)



SC4A-X-PR-NN-XX-XX-T1/Q  
SC4A 19 MM CONDUCTIVITY SENSOR FOR RETRACTABLE ASSEMBLY  
Pt1000 TEMPERATURE SENSOR

UNITS:  
IN [MM]

**YOKOGAWA** 

2 DART ROAD

NEWNAN, GEORGIA 30265